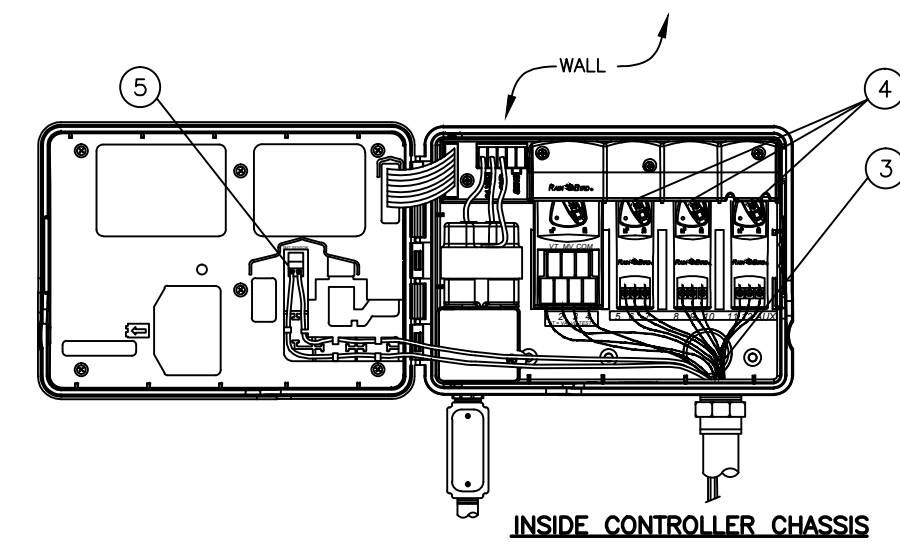
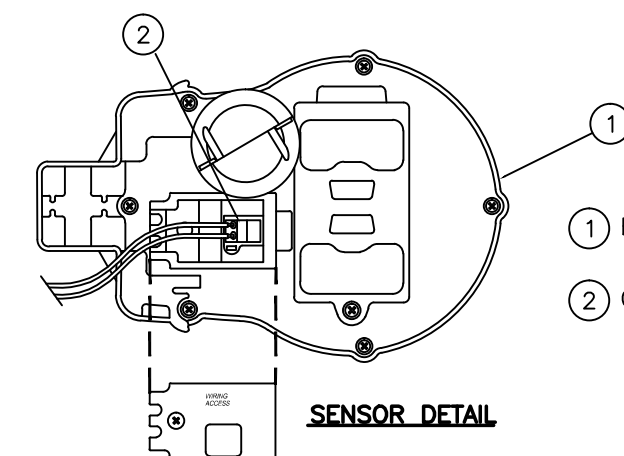


- 1 RAIN BIRD ESP-SMT4 OUTSIDE WALL MOUNT
- 2 1-INCH PVC SCH 40 CONDUIT AND FITTINGS
- 3 WIRES TO REMOTE CONTROL VALVES AND SENSOR
- 4 OPTIONAL MODULES FOR 13-STATION CONTROLLER
- 5 CONNECTION FOR WIRES FROM SENSOR
- 6 JUNCTION BOX
- 7 1/2-INCH PVC SCH 40 CONDUIT TO POWER SUPPLY



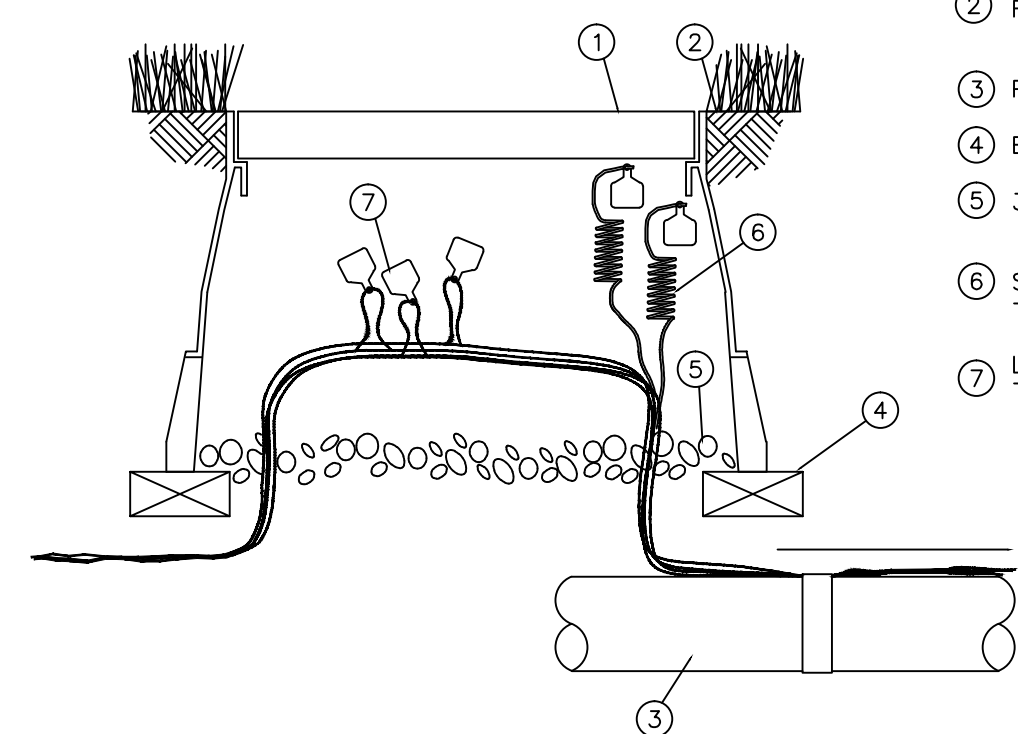
INSIDE CONTROLLER CHASSIS

NOTE:
WIRE LENGTH FROM CONTROLLER TO SENSOR NOT TO EXCEED 200 FEET.



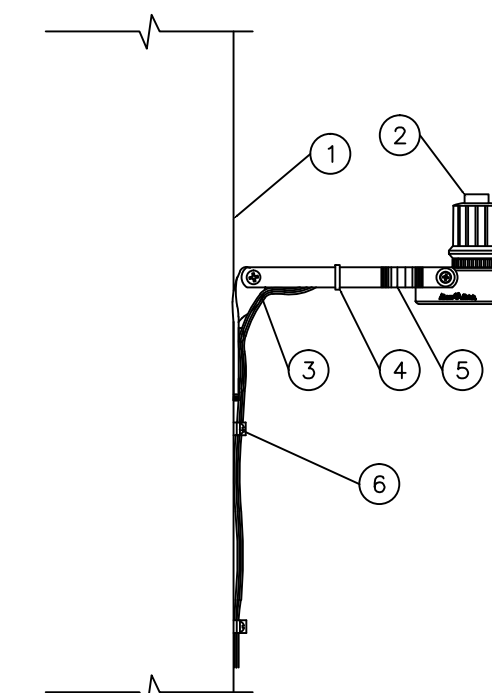
- 1 ESP-SMT SENSOR (BOTTOM VIEW)
- 2 CONNECTION FOR WIRES FROM CONTROLLER

1 ESP-SMT SMART CONTROL SYSTEM
N.T.S.



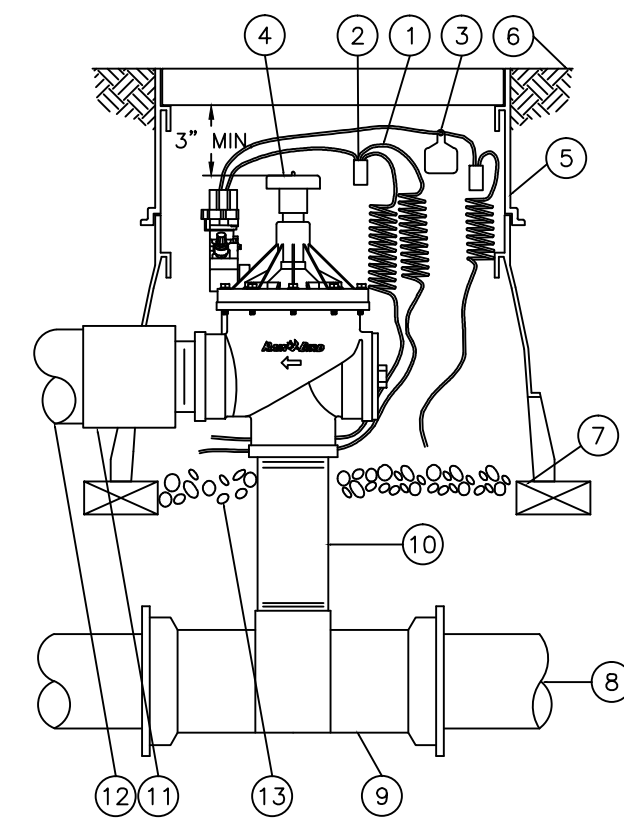
- 1 STANDARD VALVE BOX WITH COVER: 12-INCH SIZE
- 2 FINISH GRADE / TOP OF MULCH
- 3 PVC MAINLINE PIPE
- 4 BRICK (1 OF 4)
- 5 3.0 - INCH MIN. DEPTH OF 3/4 - INCH WASHED GRAVEL
- 6 SPARE WIRES THAT ARE TO TERMINATE AT THIS BOX COIL 30" ID TAG.
- 7 LOOP BUNDLE AND LABEL WIRES THAT ARE TO CONTINUE AS OCCURS

2 WIRE BUNDLE JUNCTION BOX
N.T.S.



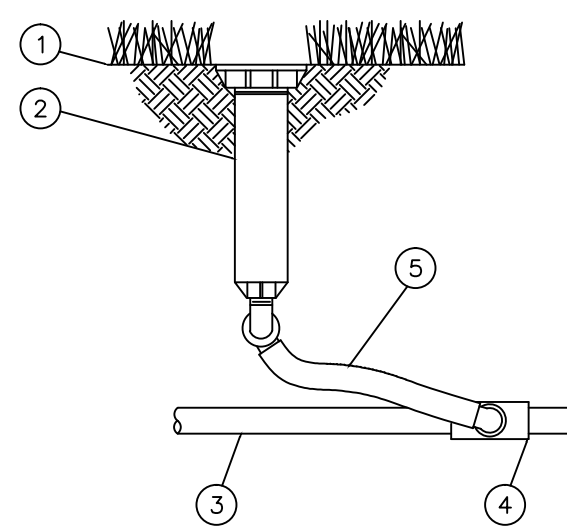
- 1 EAVE OF BUILDING
- 2 RAIN SENSOR: RAIN BIRD RSD-BE
- 3 WIRE TO IRRIGATION CONTROLLER
- 4 PLASTIC TIE DOWN STRAP
- 5 MOUNTING BRACKET
- 6 SECURE WIRE WITH CABLE TIE BRACKET (1 OF 2)

3 RAIN SENSOR- RSD-BEx WALL BRACKET
N.T.S.



- 1 30-INCH LINEAR LENGTH OF WIRE, COILED
- 2 WATERPROOF CONNECTION: RAIN BIRD SPLICE-1 (1 OF 2)
- 3 ID TAG: RAIN BIRD VID SERIES
- 4 REMOTE CONTROL VALVE: RAIN BIRD 300-BPES-PRS-D WITH BSP THREADS
- 5 VALVE BOX WITH COVER: RAIN BIRD VB-STD WITH 6-INCH EXTENSION
- 6 FINISH GRADE/TOP OF MULCH
- 7 BRICK (1 OF 4)
- 8 MAINLINE PIPE
- 9 DUCTILE IRON SERVICE TEE
- 10 DUCTILE IRON NIPPLE (6-INCH LENGTH)
- 11 PVC REDUCING MALE ADAPTER
- 12 PVC LATERAL PIPE
- 13 3.0-INCH MINIMUM DEPTH OF 3/4-INCH WASHED GRAVEL

4 ELECTRIC REMOTE CONTROL VALVE
N.T.S.



- 1 FINISH GRADE/TOP OF MULCH
- 2 POP-UP SPRAY SPRINKLER: RAIN BIRD 1802 WITH 1800 NP COVER WITH RAIN BIRD ROTARY NOZZLE
- 3 PVC LATERAL PIPE
- 4 PVC SCH 40 TEE OR ELL
- 5 POLYETHYLENE FLEXIBLE TUBING LENGTH AS REQUIRED

5 ROTARY SPRAY ASSEMBLY
N.T.S.

REVISIONS	BY
REVISED 7-14-15 PER REVISED SITE PLAN (CITY COMMENTS)	
REVISED 1-11-16 PER REVISED SITE PLAN	
REVISED 3-9-16 PER REVISED SITE PLAN	

DESIGNED BY:
CARTER & ASSOCIATES
LANDSCAPE ARCHITECTS INC.
74 N.E. 5th AVE. Delray Beach, FL 33483
L.A. 831
561-272-9621

Landscape for:
Schmidt Ivestment Properties
1302 Wallace Drive, Delray Beach, Florida

DRAWN	SKP
CHECKED	D.H.C.
DATE	1.07.15
SCALE	1" = 10'
JOB NO.	1.15.15
SHEET	
L-6	
OF	6 SHEETS