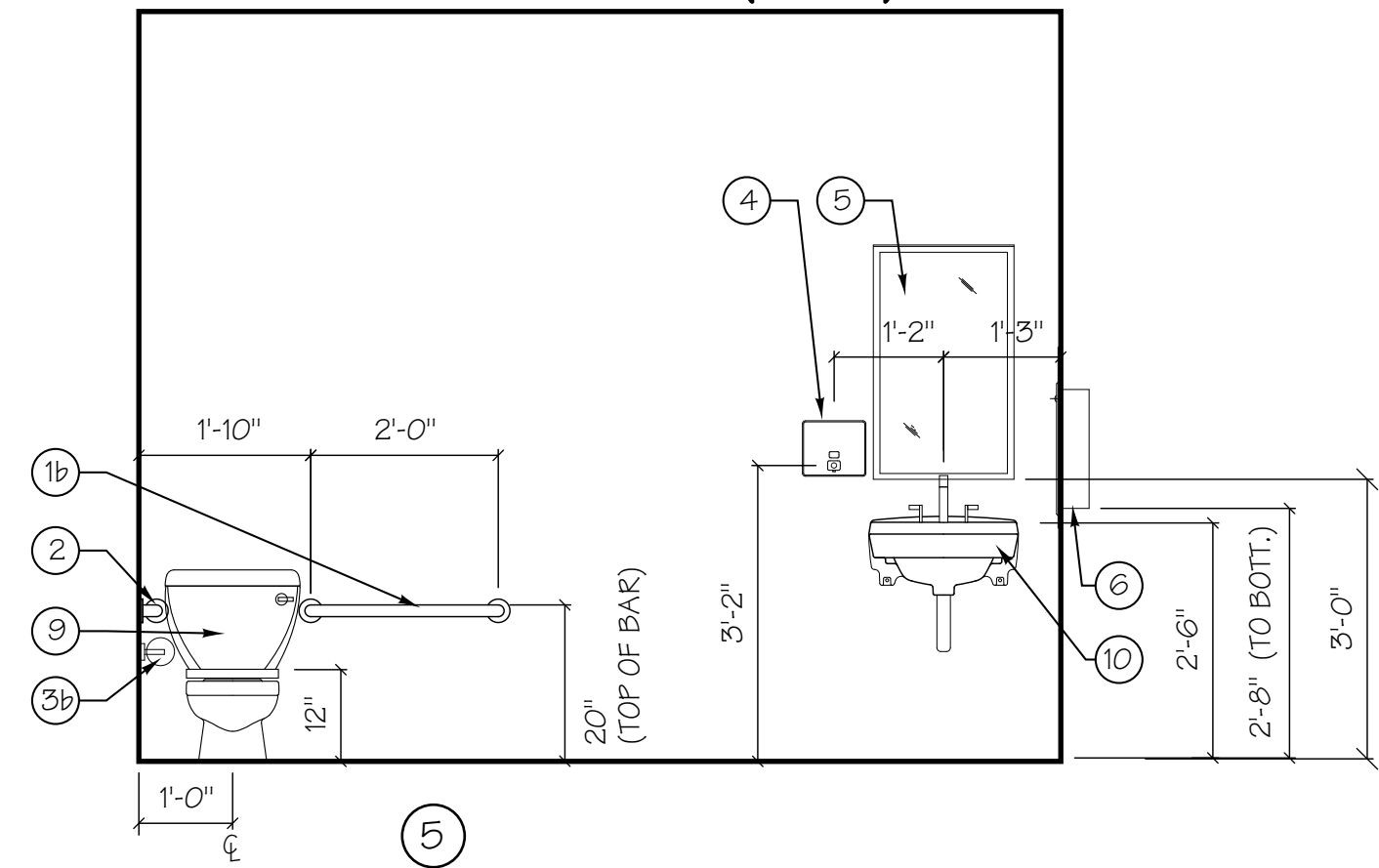
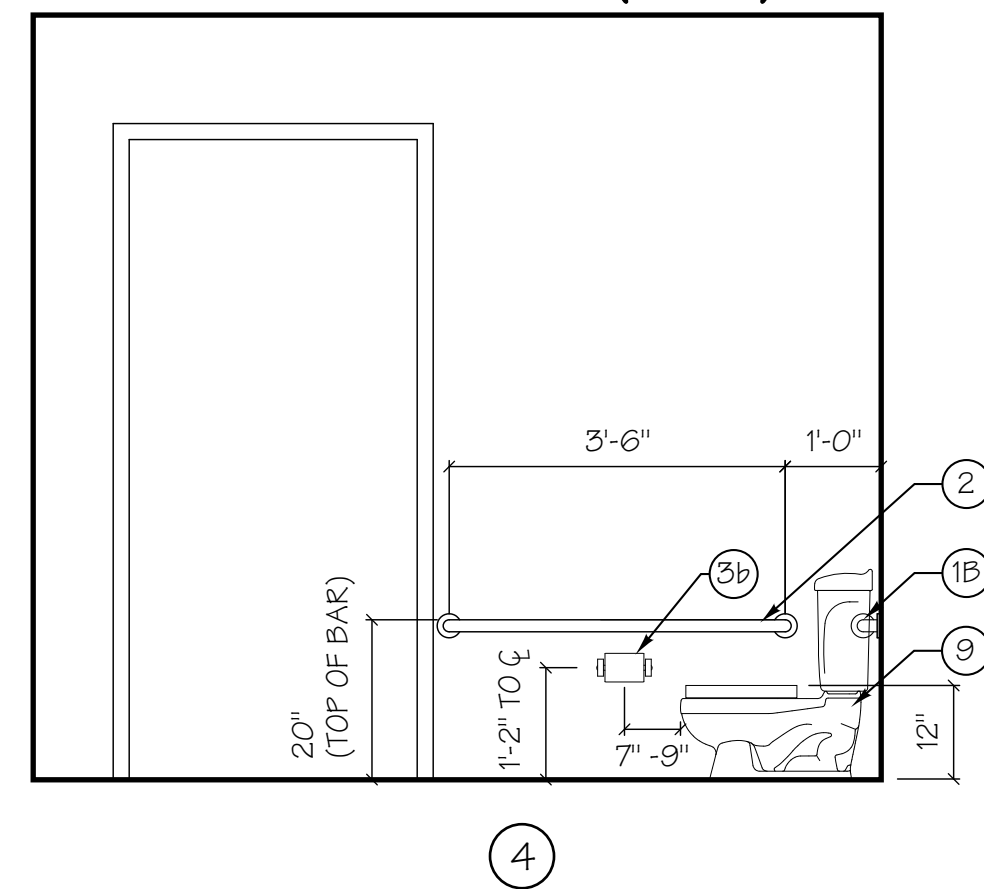


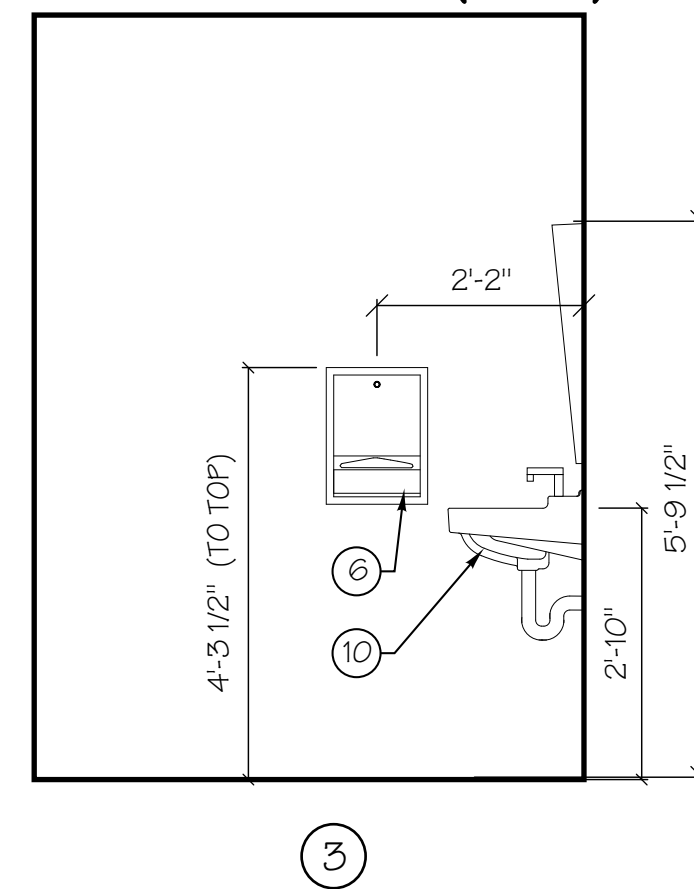
(CHILDREN)
RESTROOM 2 (#106)



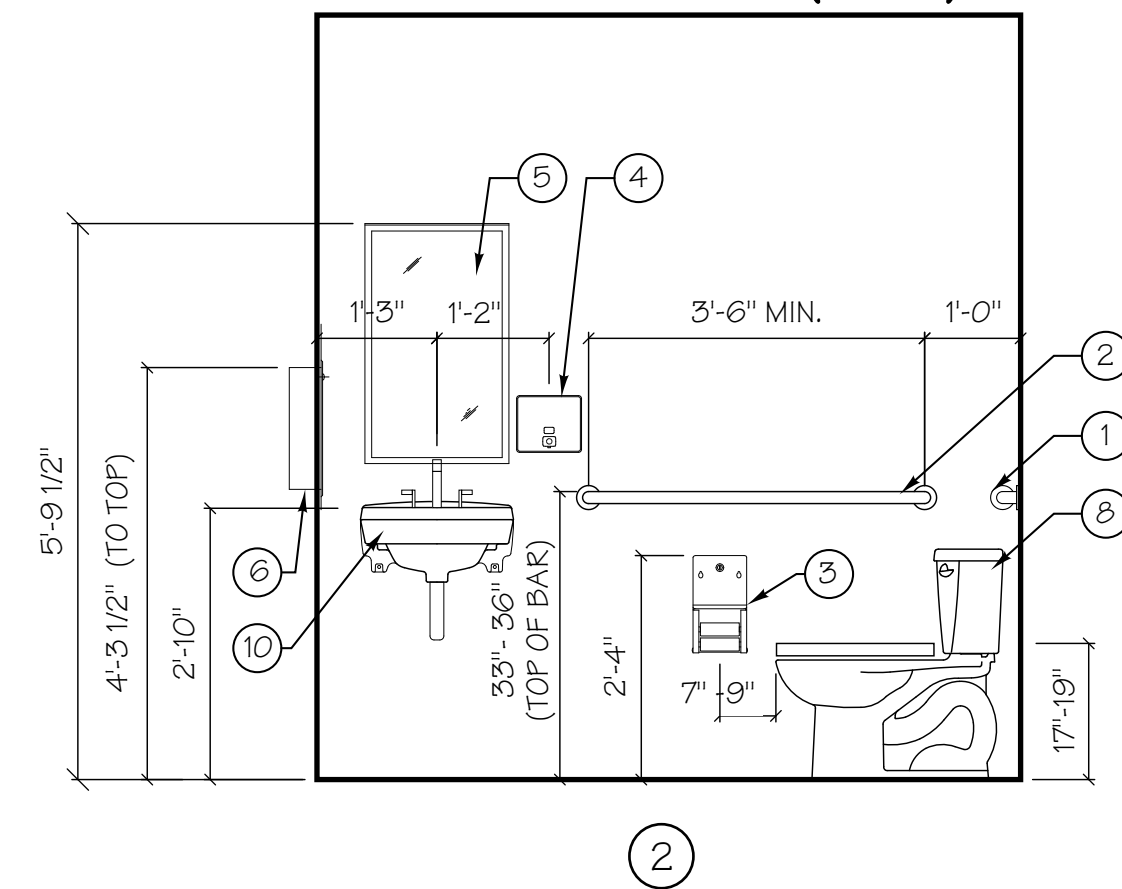
(CHILDREN)
RESTROOM 2 (#106)



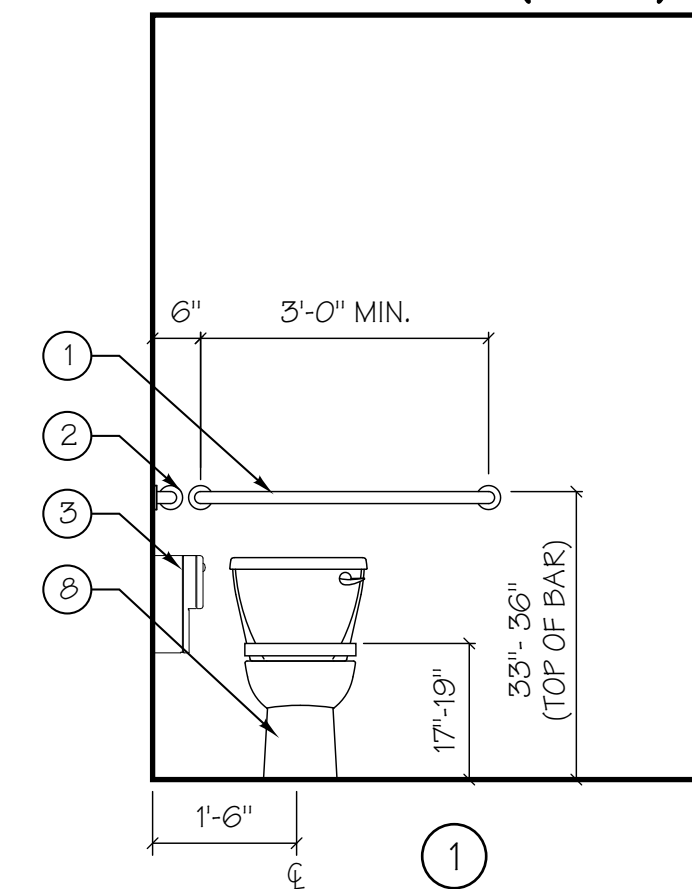
(ADULT)
RESTROOM 1 (#102)



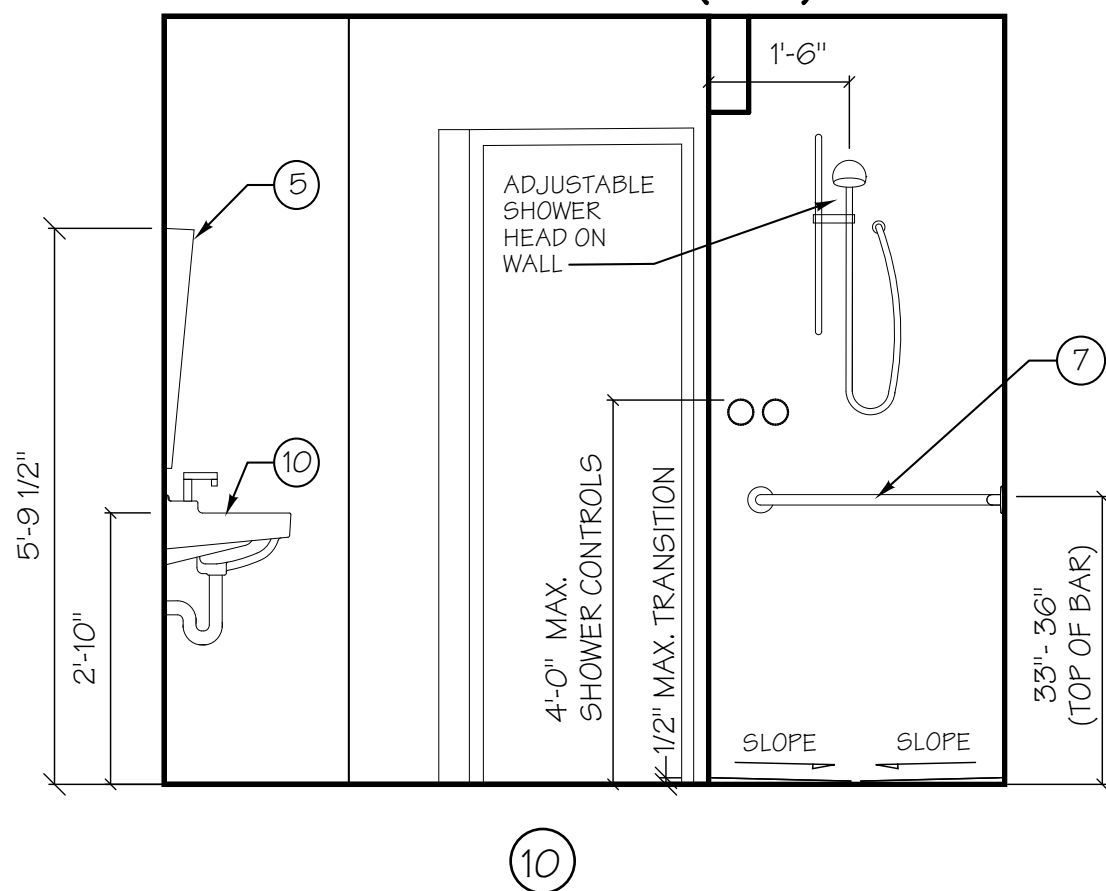
(ADULT)
RESTROOM 1 (#102)



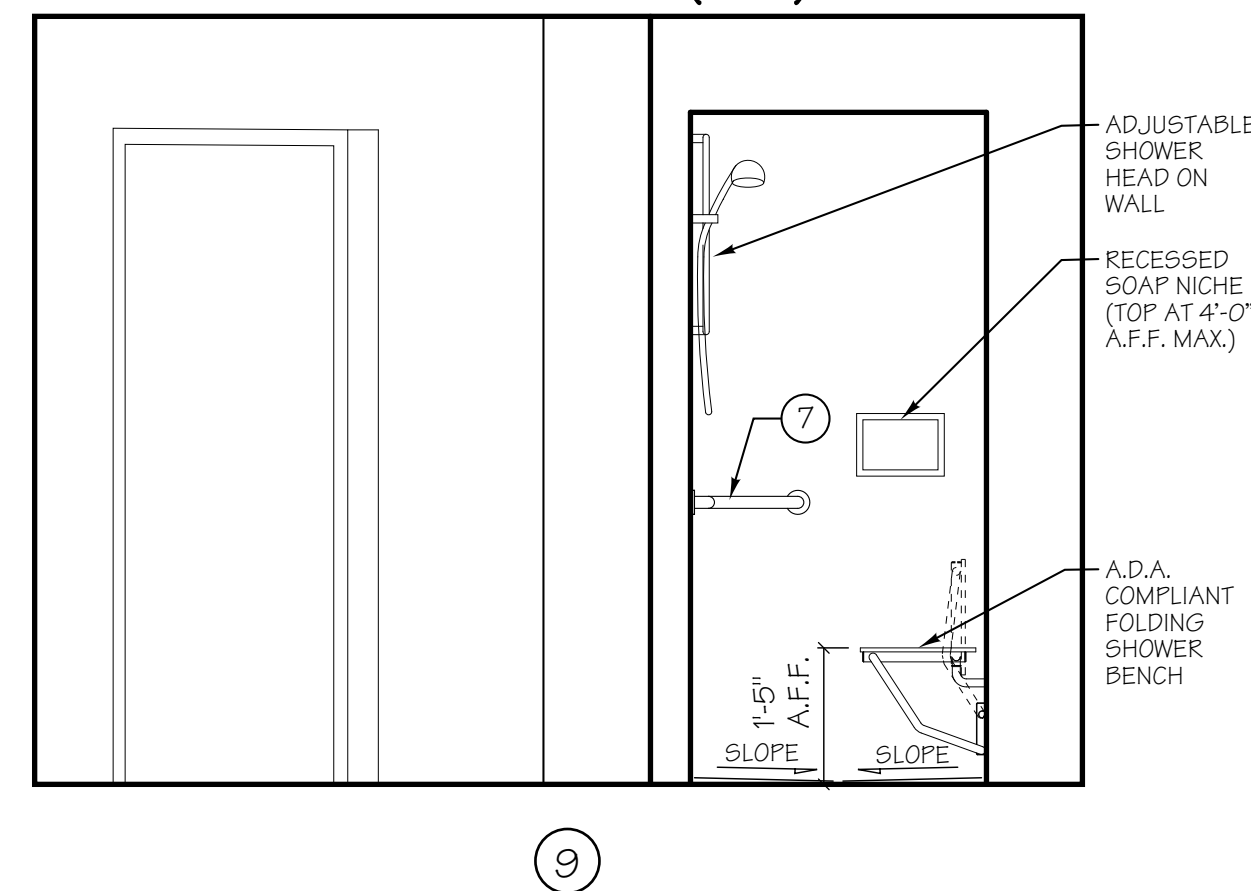
(ADULT)
RESTROOM 1 (#102)



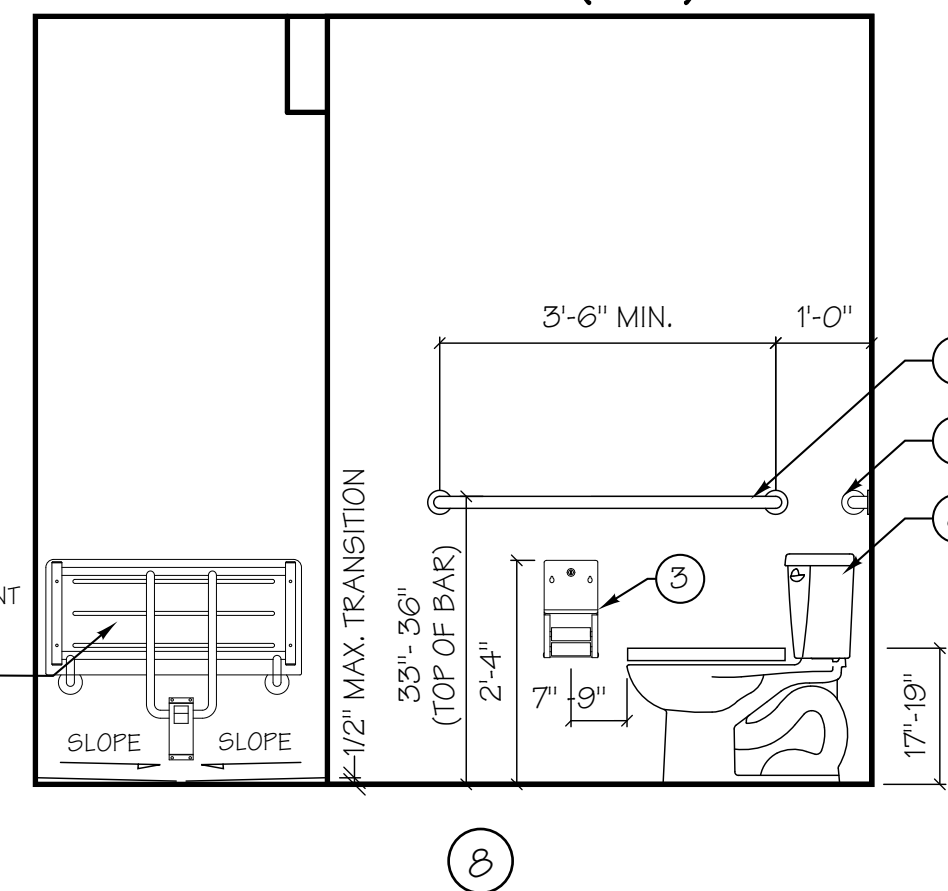
(ADULT)
RESTROOM 3 (#111)



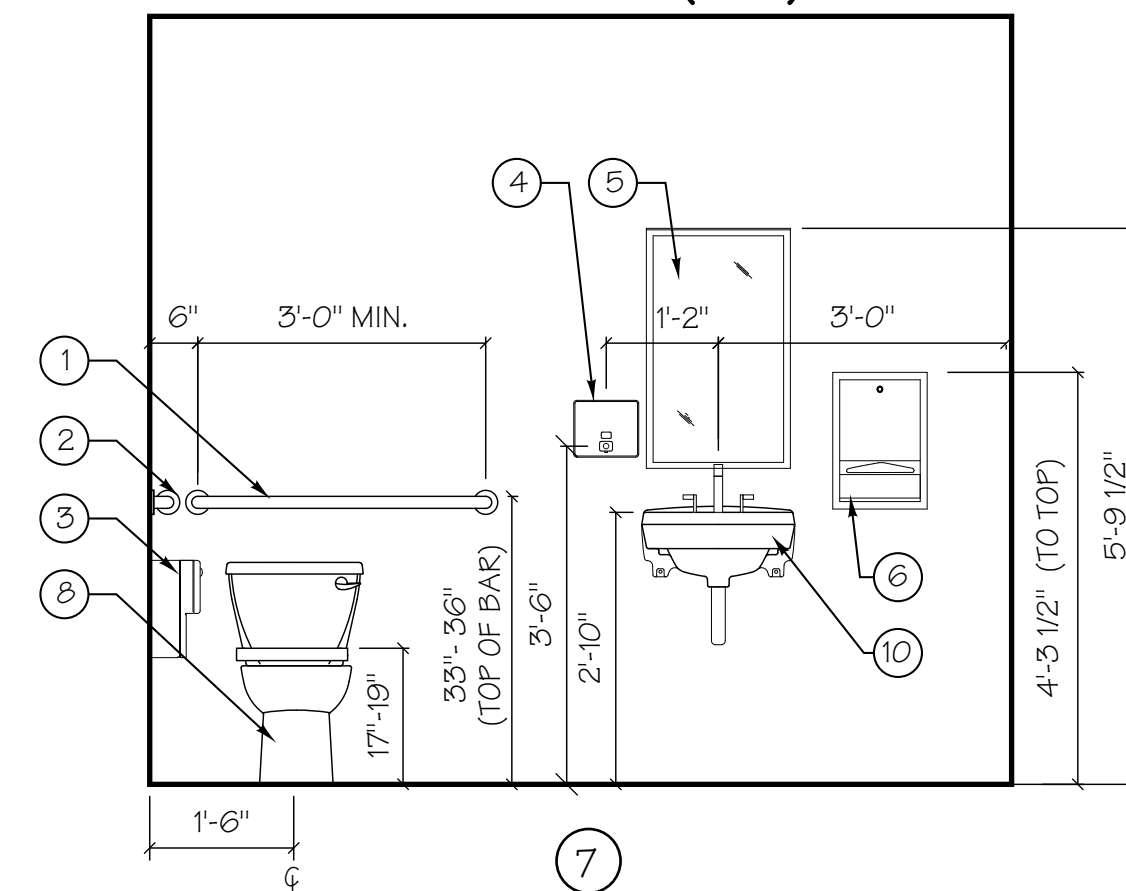
(ADULT)
RESTROOM 3 (#111)



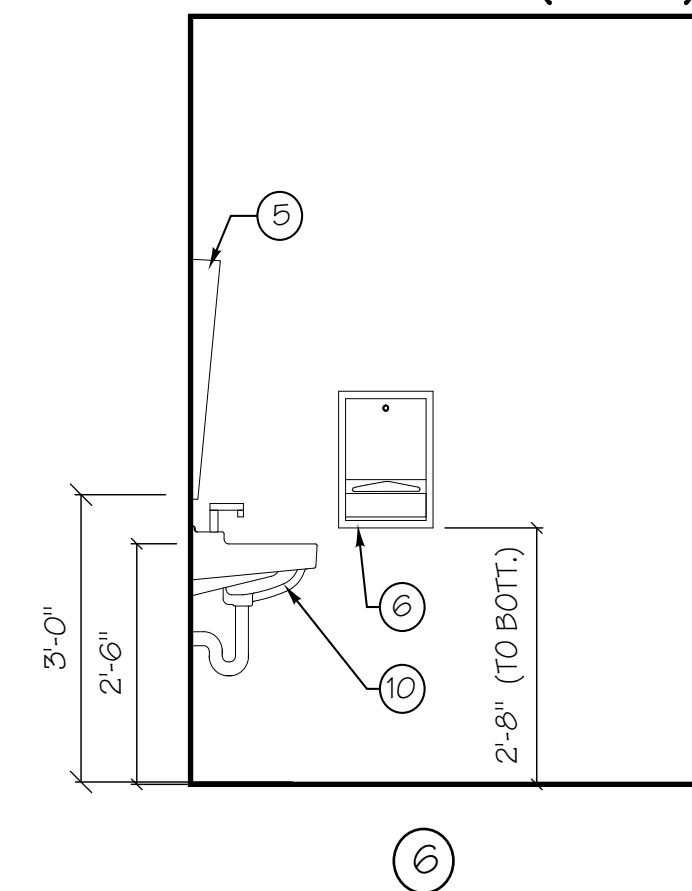
(ADULT)
RESTROOM 3 (#111)



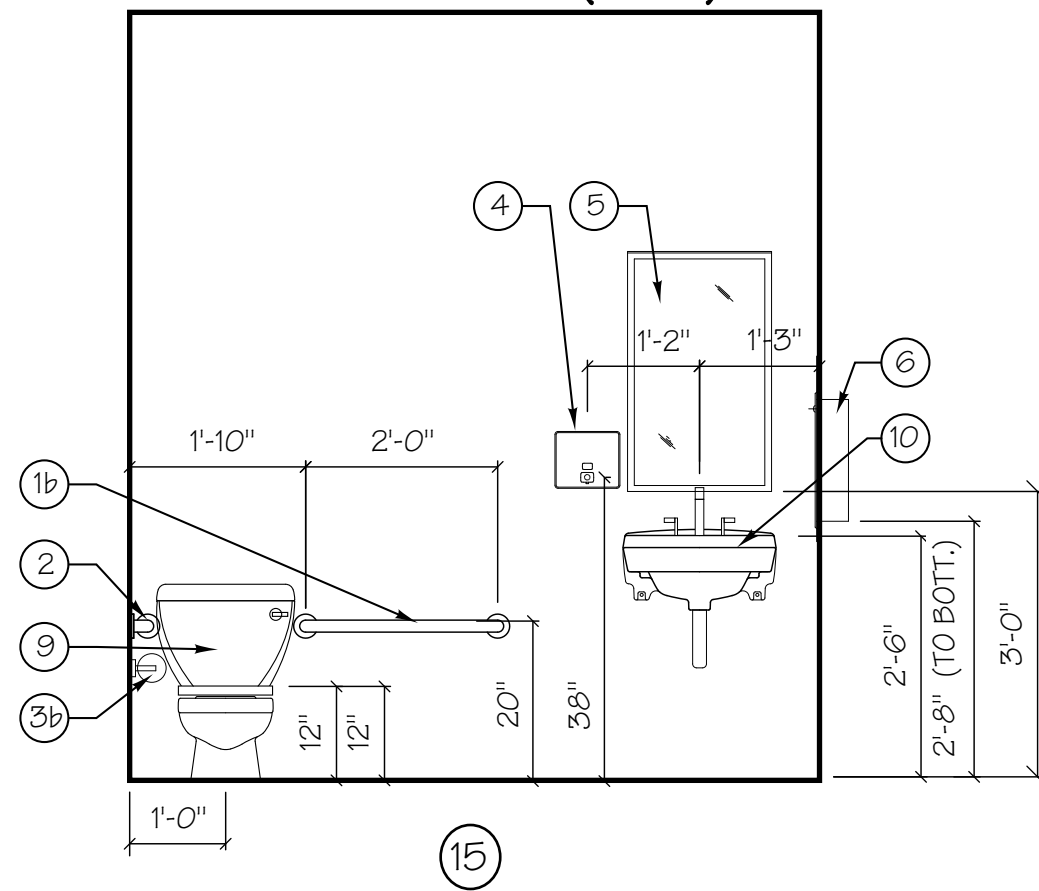
(ADULT)
RESTROOM 3 (#111)



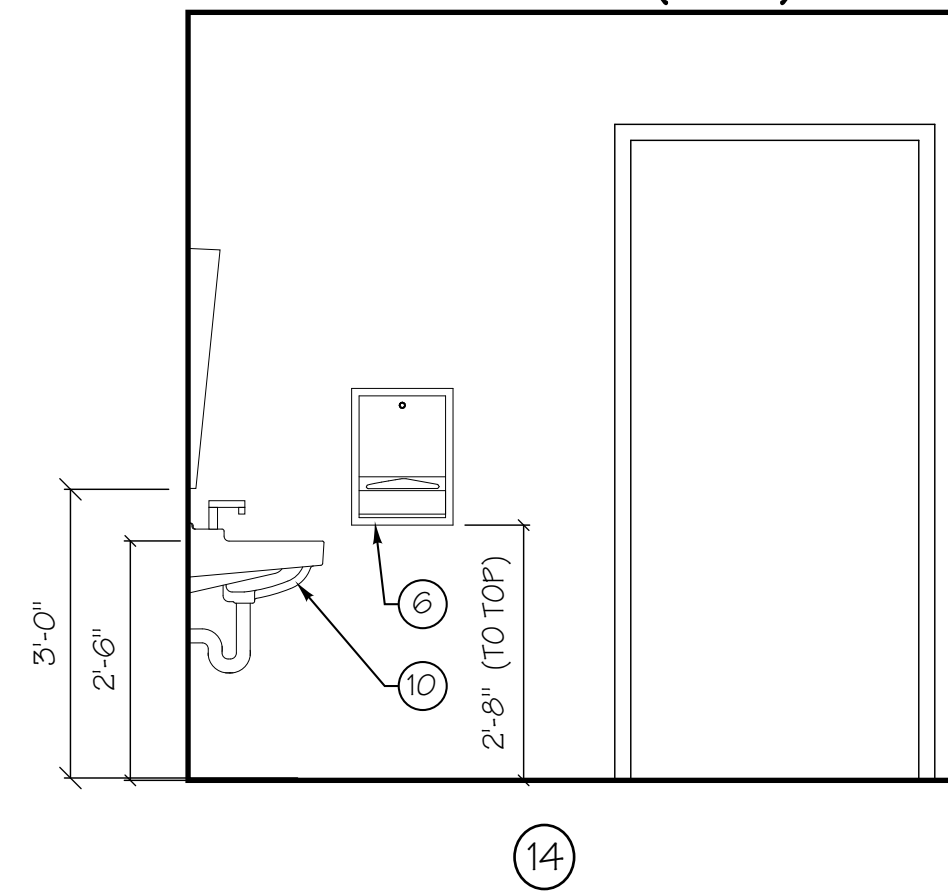
(CHILDREN)
RESTROOM 2 (#106)



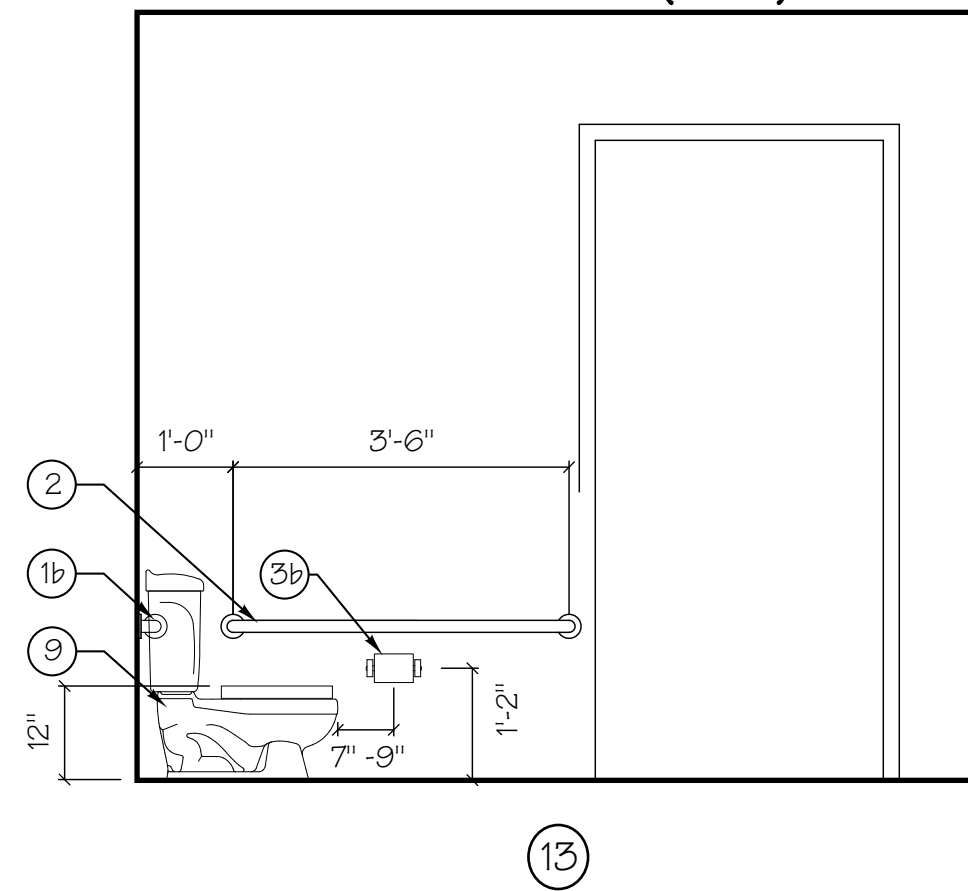
(CHILDREN)
RESTROOM 5 (#118)



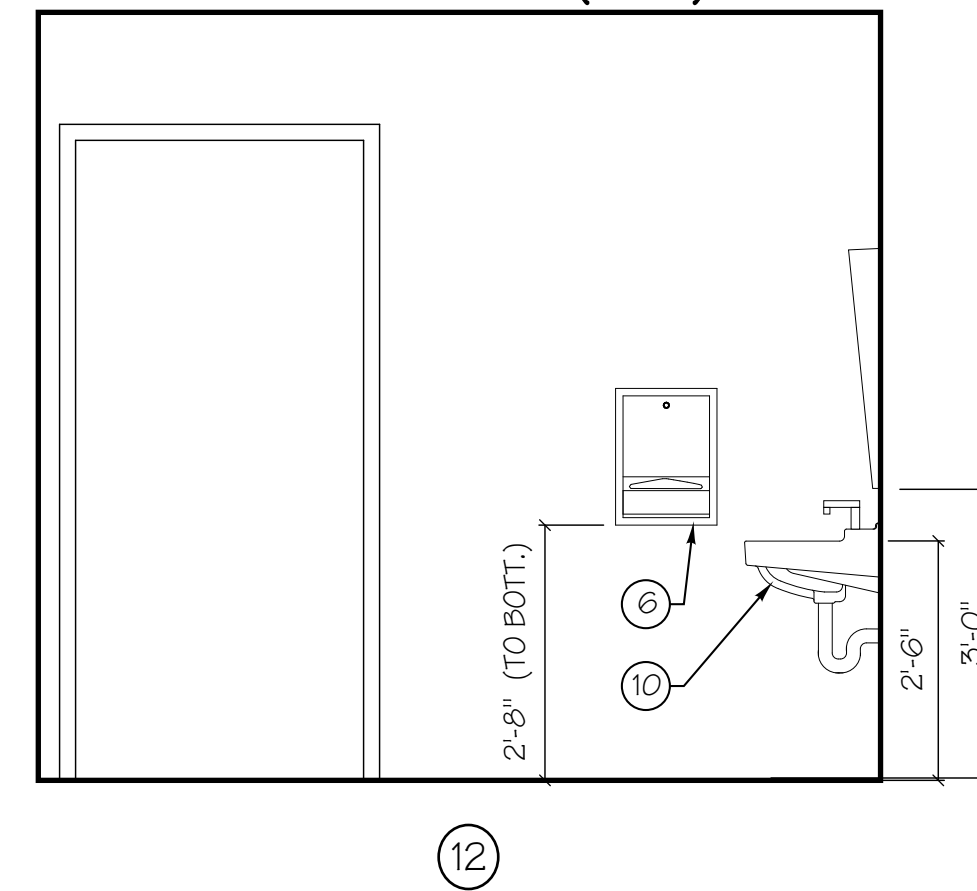
(CHILDREN)
RESTROOM 5 (#118)



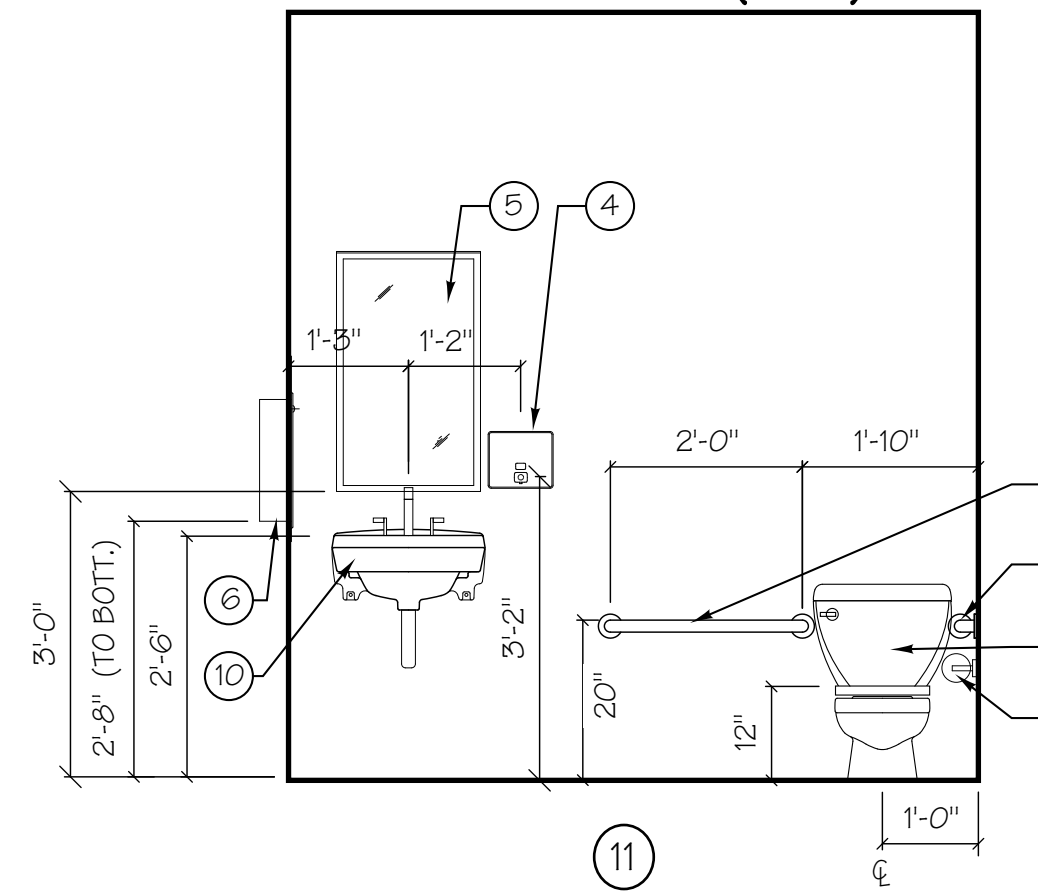
(CHILDREN)
RESTROOM 4 (#117)



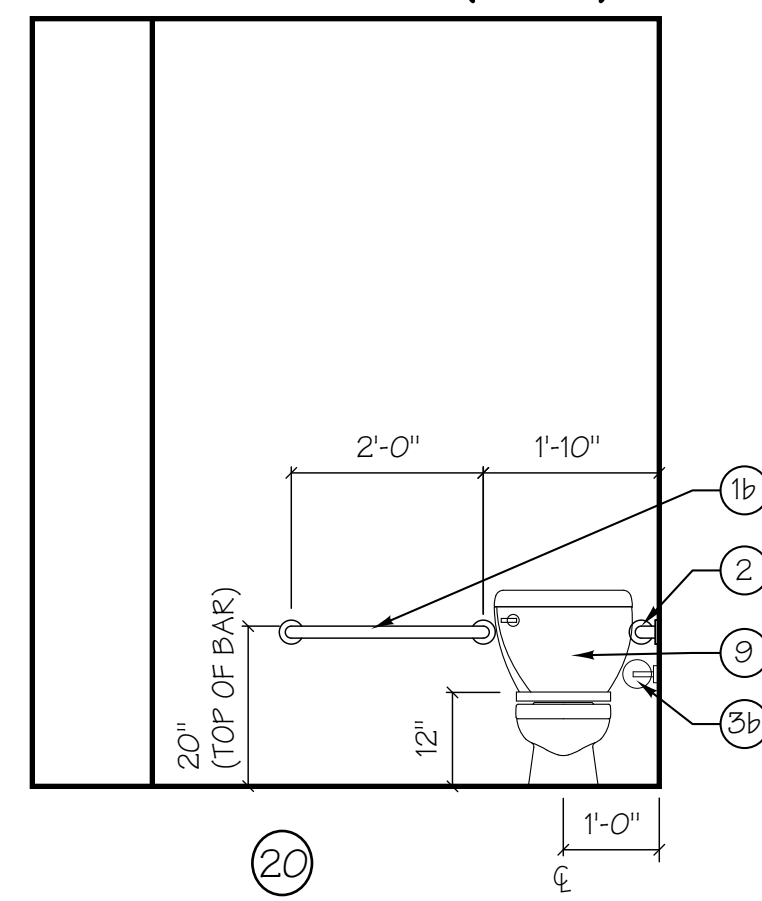
(CHILDREN)
RESTROOM 4 (#117)



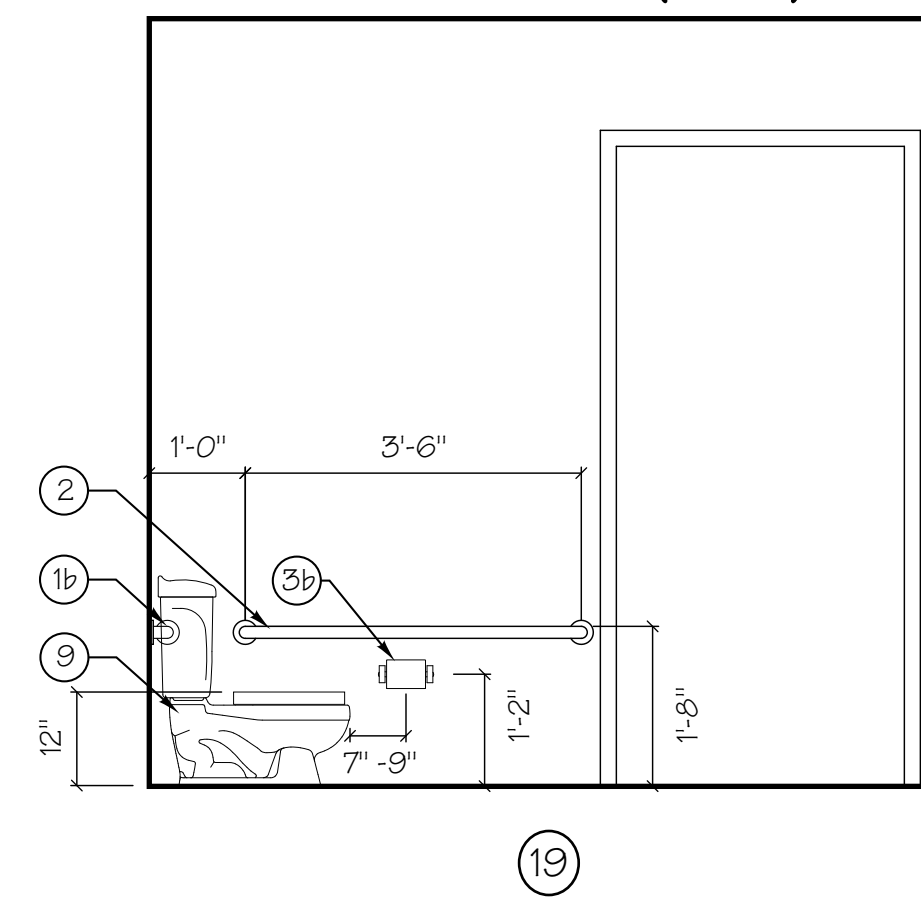
(CHILDREN)
RESTROOM 4 (#117)



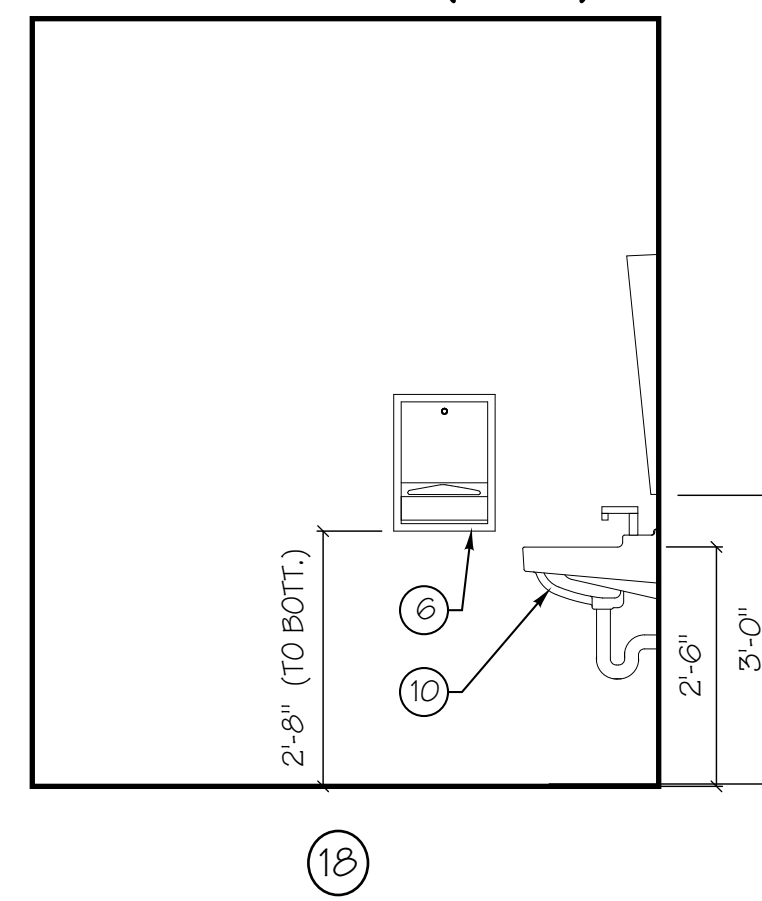
(CHILDREN)
RESTROOM 6 (#123)



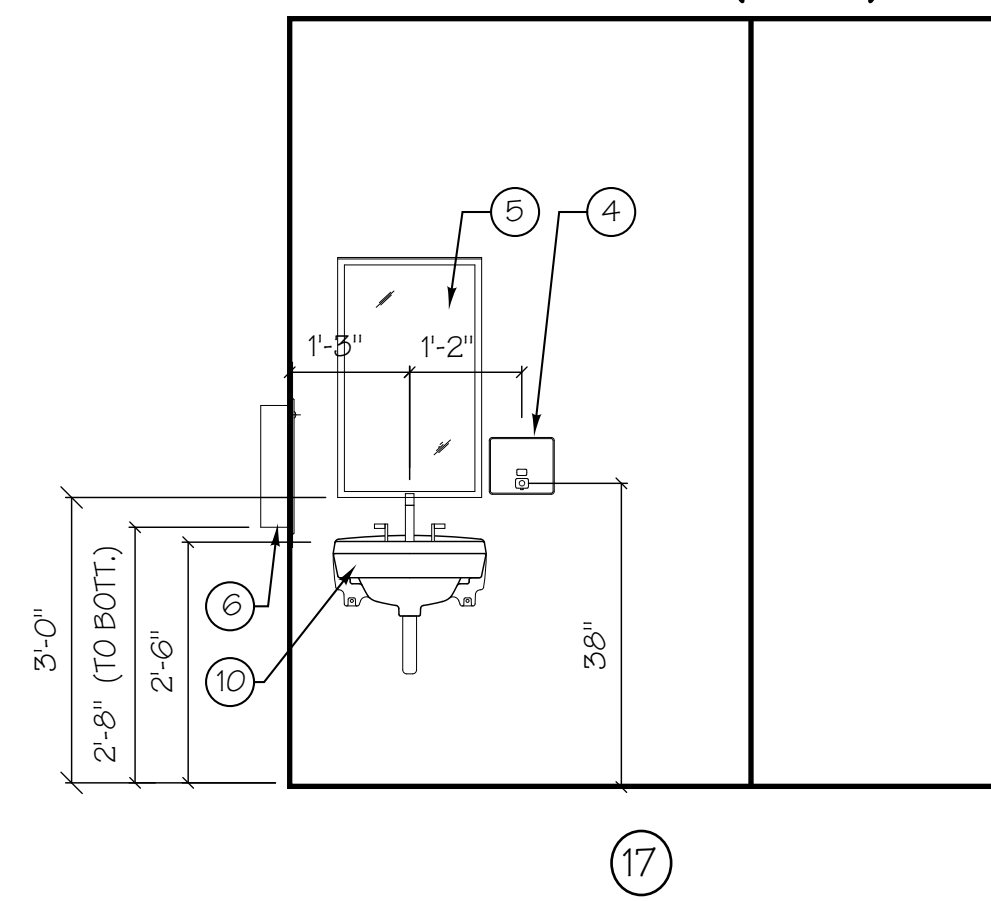
(CHILDREN)
RESTROOM 6 (#123)



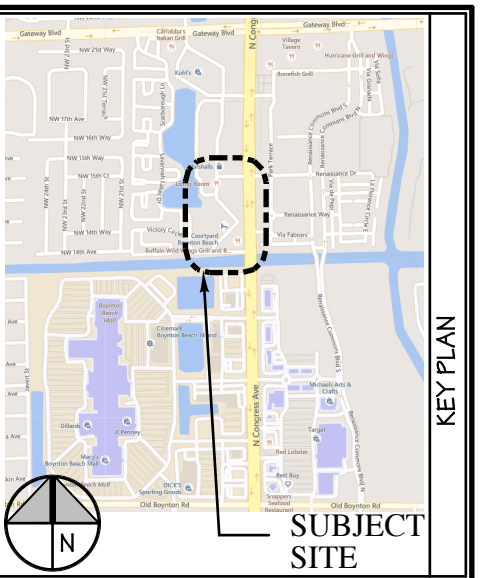
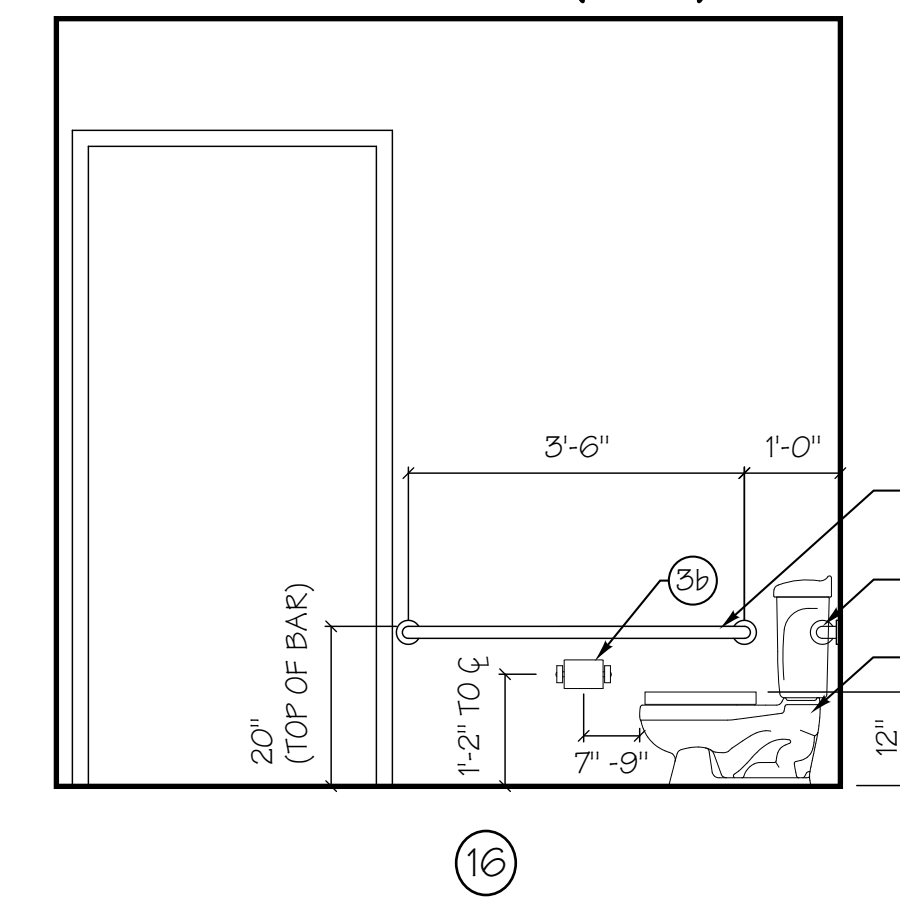
(CHILDREN)
RESTROOM 6 (#123)



(CHILDREN)
RESTROOM 6 (#123)



(CHILDREN)
RESTROOM 5 (#118)



MARK	DESCRIPTION	DATE
▲		
▲		
▲		
▲		

ARCHITECTURE/PLANNING
MARC WIENER, A.I.A.
AK # 000416
851 SOUTH FEDERAL HWY, STE 203
BOCA RATON, FLORIDA 33432
561-750-4111 FAX: 561-750-5298

SOUTH FLORIDA SCHOOLS, LLC.
1820 SW 3 AVE, STE 202
MIAMI, FLORIDA 33129

KLA CHILDCARE
FORMER 'PETE ROSE' RESTAURANT
INTERIOR IMPROVEMENT

1601 N CONGRESS AVE
BOYNTON BEACH, FLORIDA

JOB NUMBER	15118
SCALE	AS NOTED
PROJECT DATE	
ISSUE DATE	16.03.22
BID DATE	

DRAWN BY	BB
CHECKED BY	MW
DISCIPLINE	ARCHITECTURE
PLAN TYPE	INT. ELEVATIONS
SHEET NUMBER	A4.02

1/2"=1'-0"

© MARC WIENER, A.I.A.