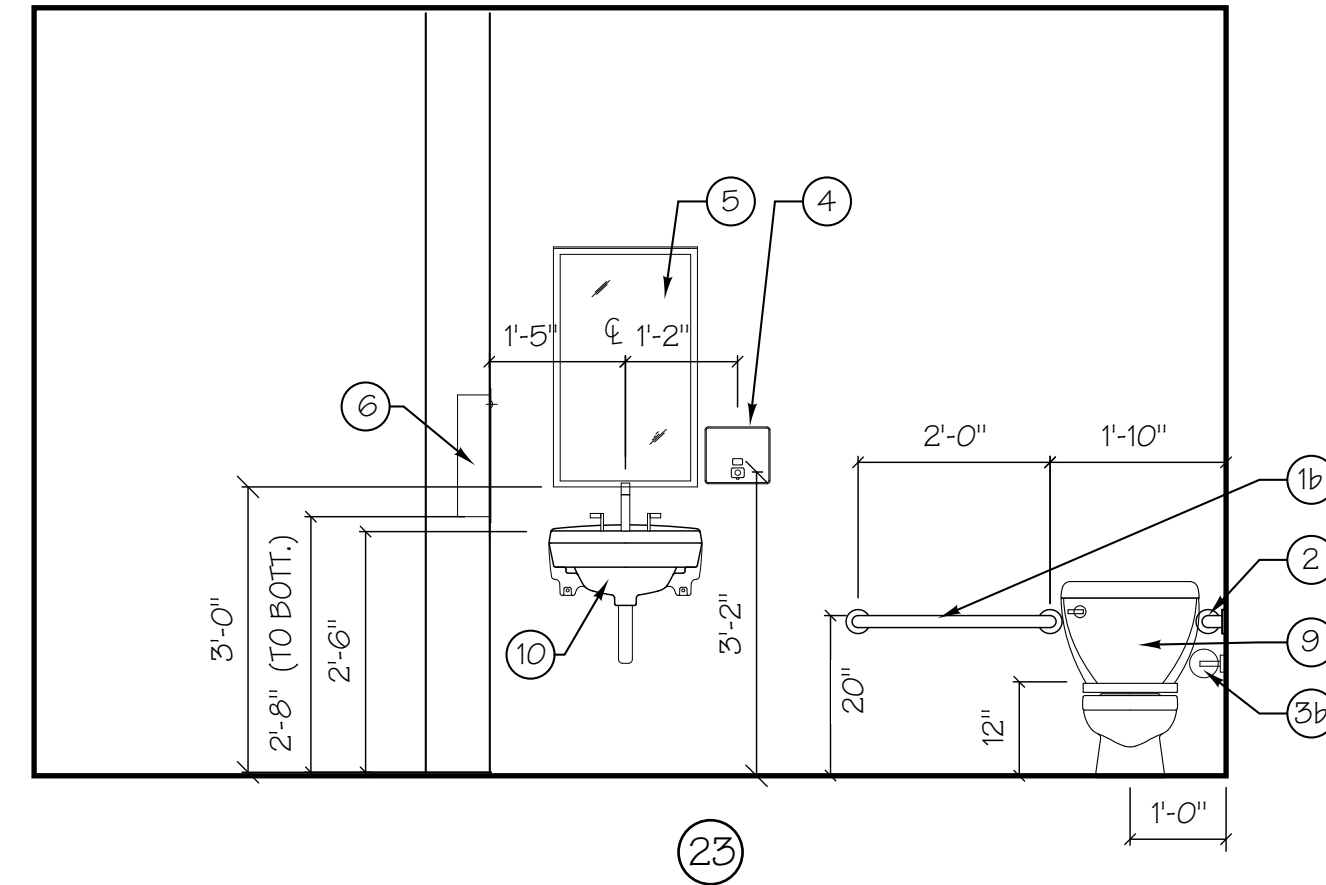
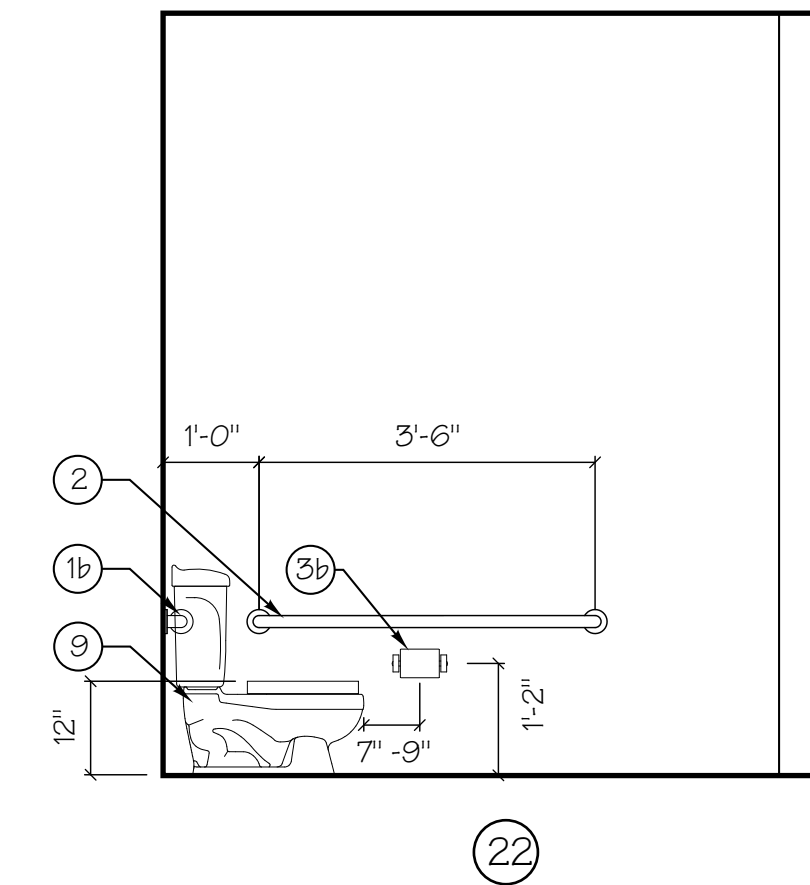


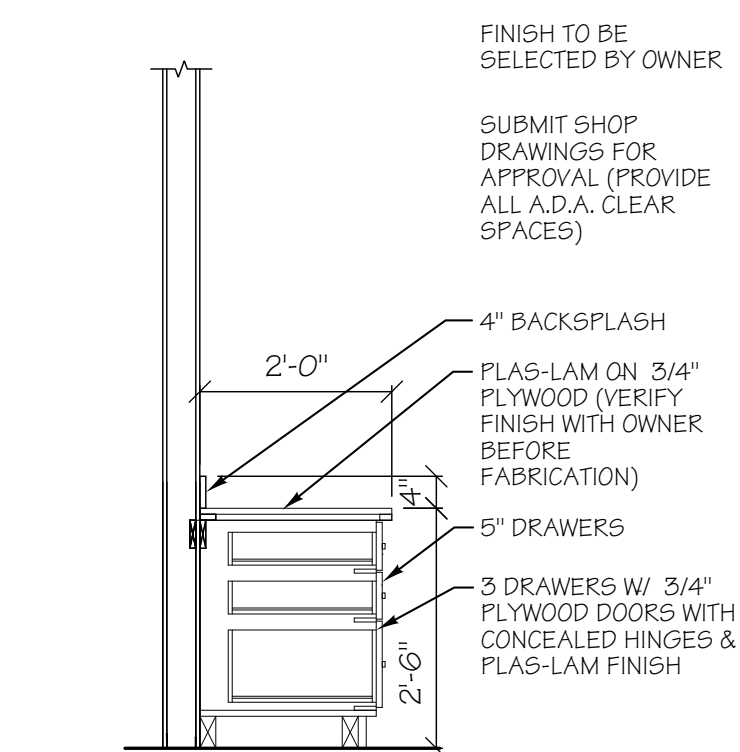
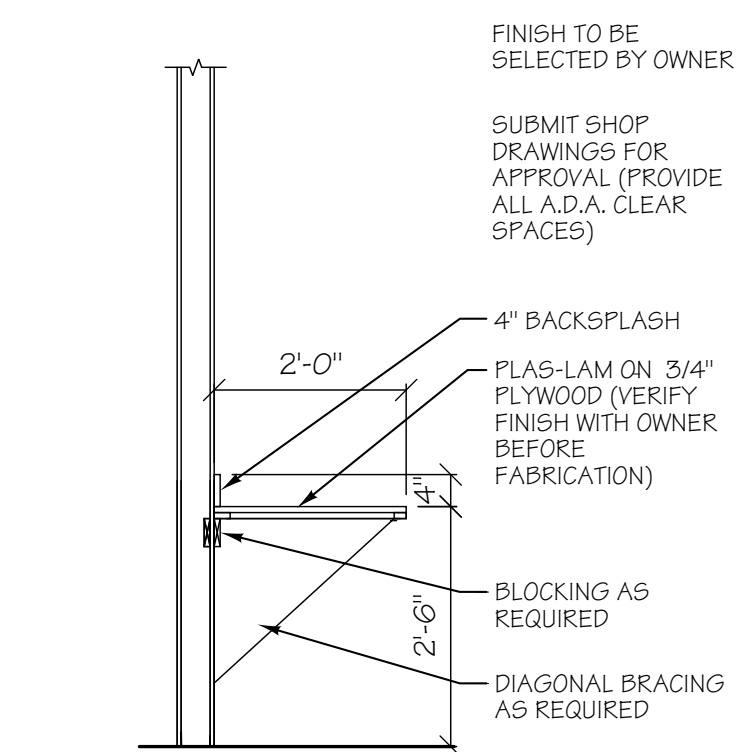
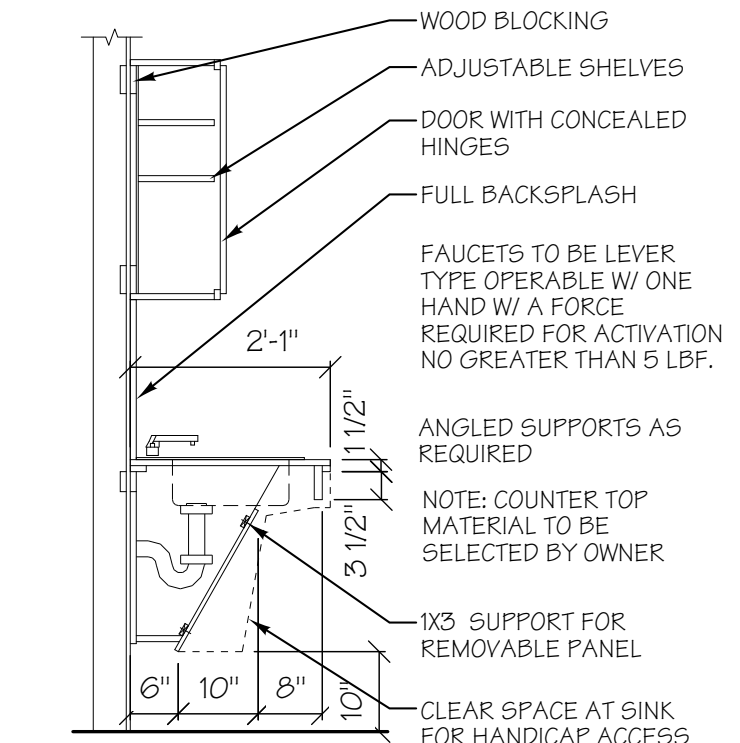
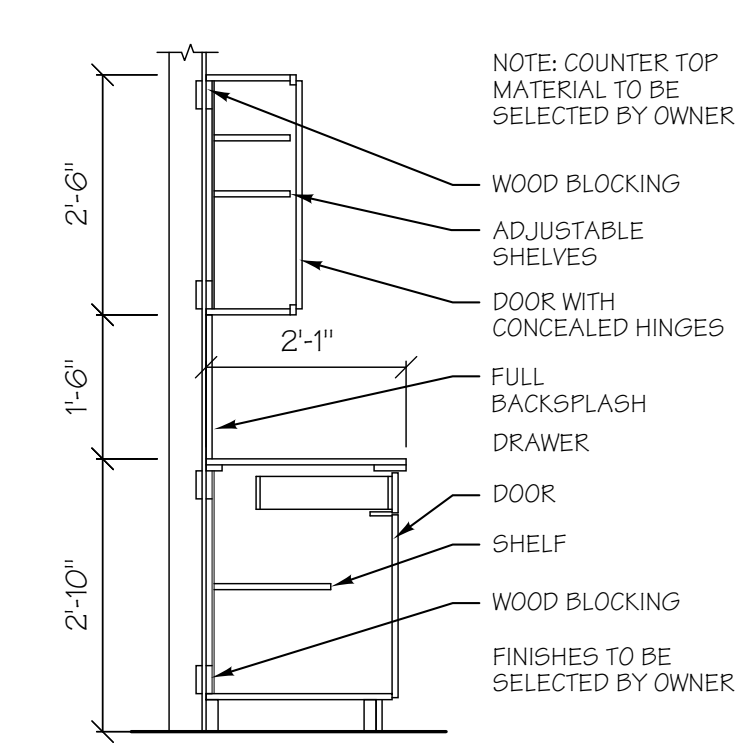
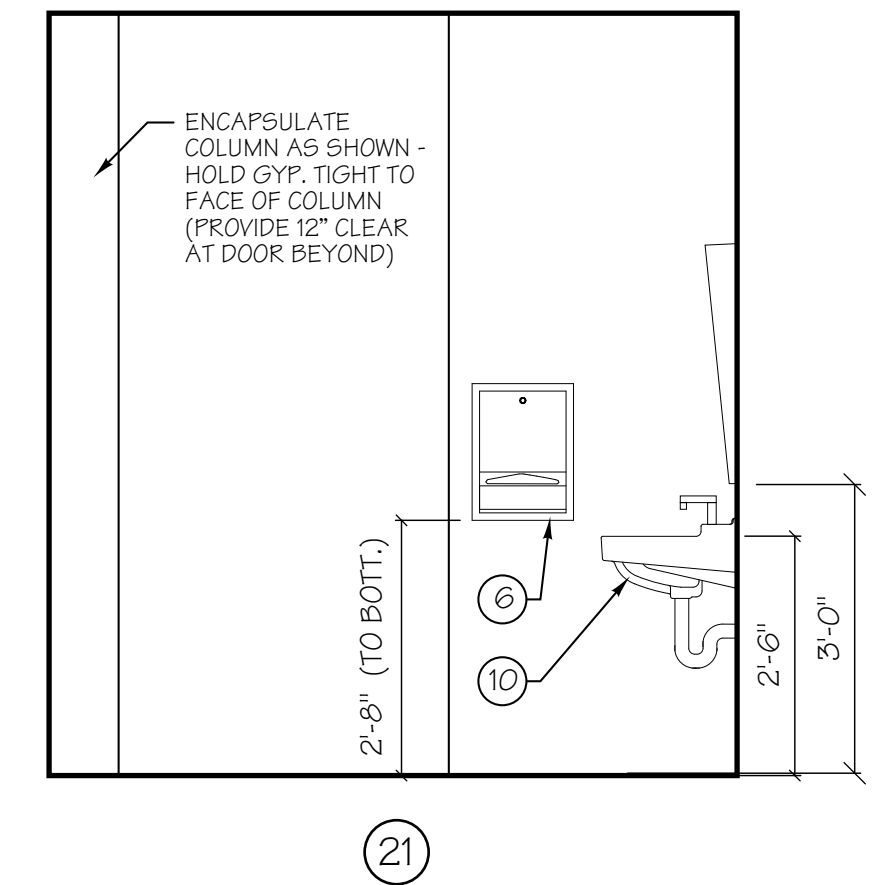
(CHILDREN)
RESTROOM 7 (#124)



(CHILDREN)
RESTROOM 7 (#124)



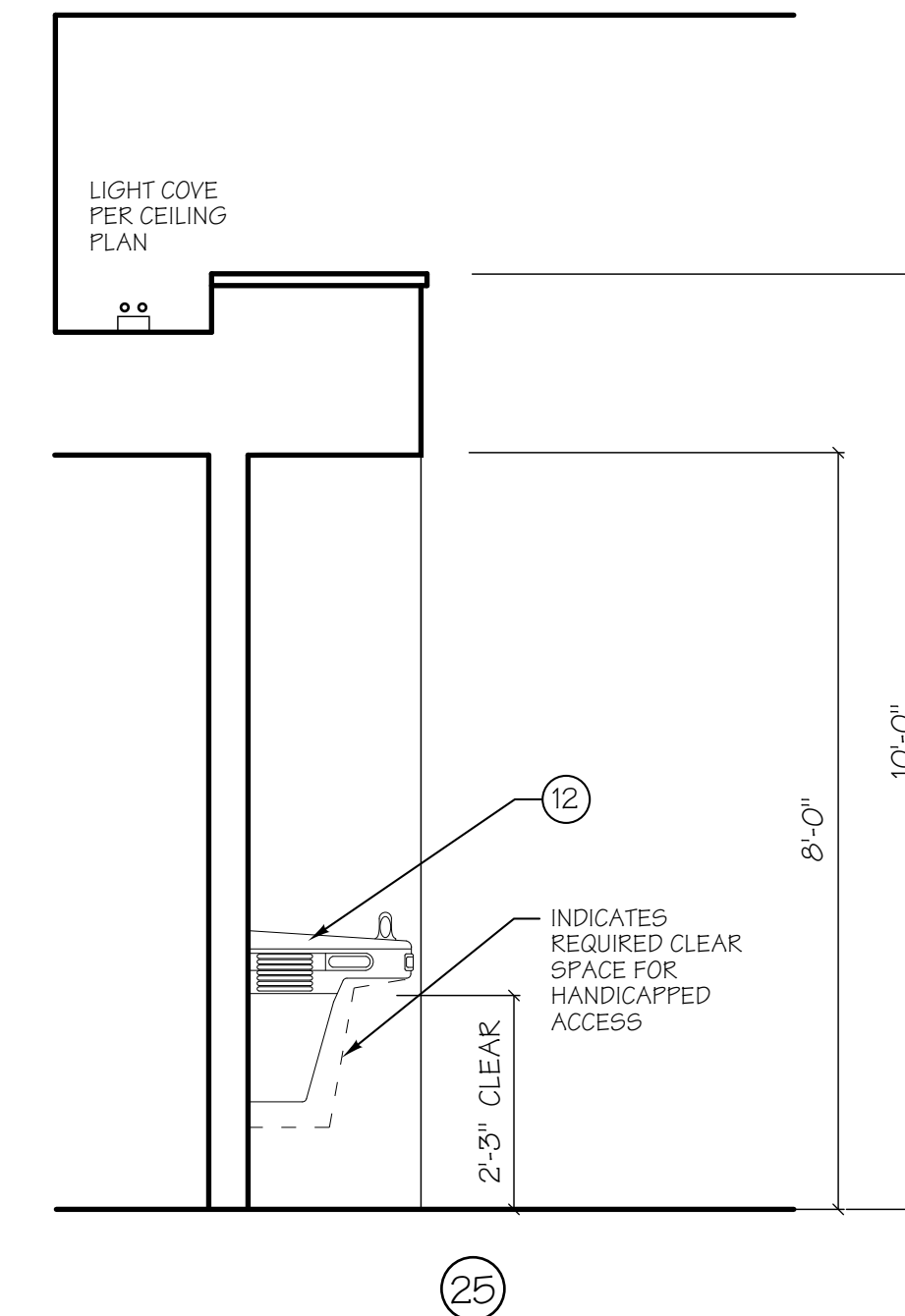
(CHILDREN)
RESTROOM 7 (#124)



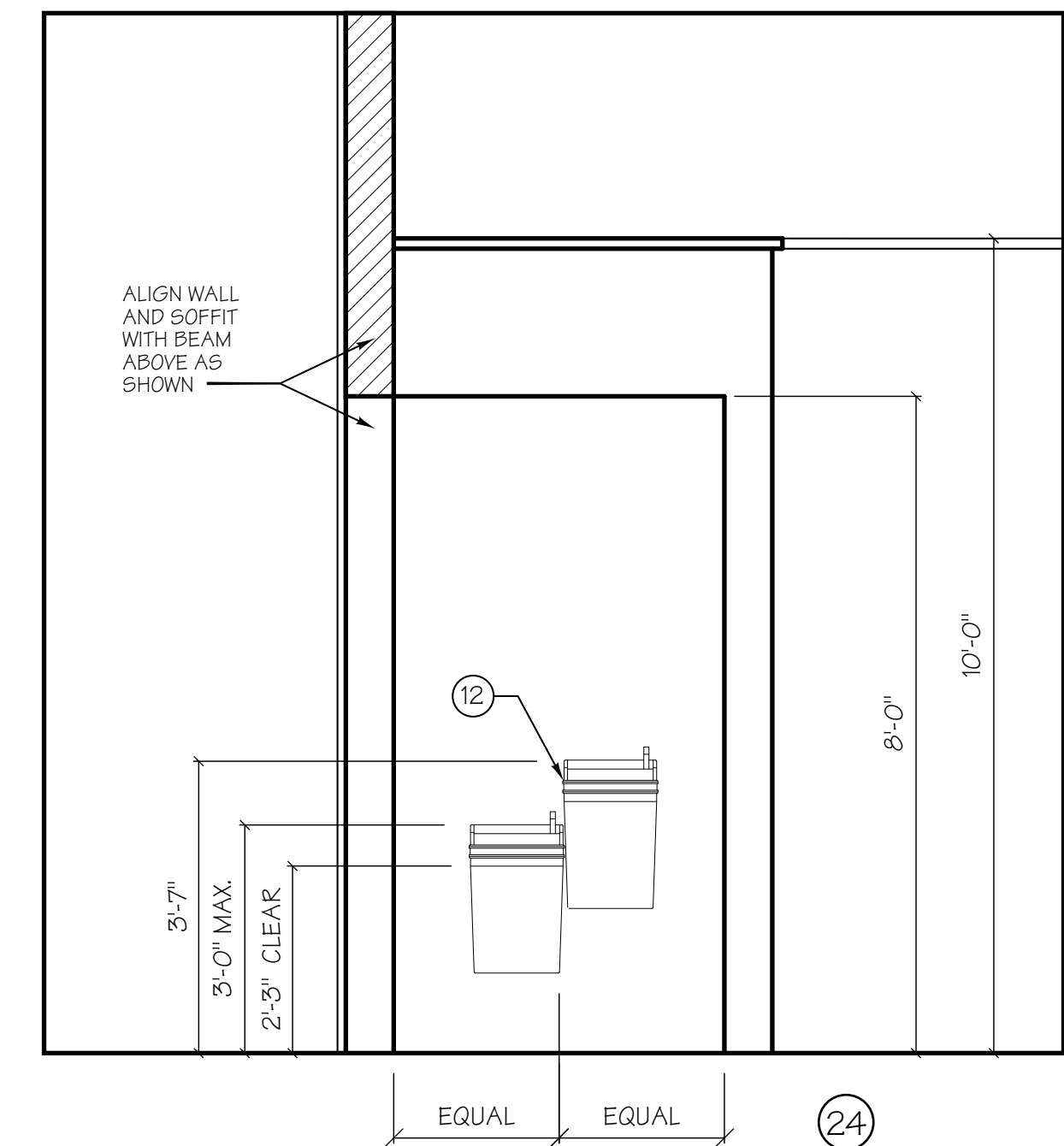
CABINETY NOTES

- SHOP DRAWINGS TO BE PROVIDED FOR CABINETY ITEMS. ALL SIZES TO BE INDICATED.
- ALL BASE CABINETS TO HAVE ADJUSTABLE SHELF, 2/3 DEPTH. ALL TOP CABINETS TO HAVE 2 ADJUSTABLE SHELVES, FULL DEPTH. SHELF SUPPORTS SHALL BE WITH CLIPS INTO PRE-DRILLED HOLES AT 2" ON CENTER.
- HINGES SHALL BE CONCEALED STYLE, SELF-CLOSING, WITH 110 DEGREE OPENING.
- DRAWER SLIDES SHALL BE SIDE-MOUNTED WITH 75 POUND CAPACITY W/ NYLON BALL-BEARING ROLLERS & POSITIVE PULL-OUT STOP.
- DRYWALL CONTRACTOR TO PROVIDE WOOD BACKING FOR ALL CABINETS.

DRINKING FOUNTAIN & NICHE SIDE VIEW



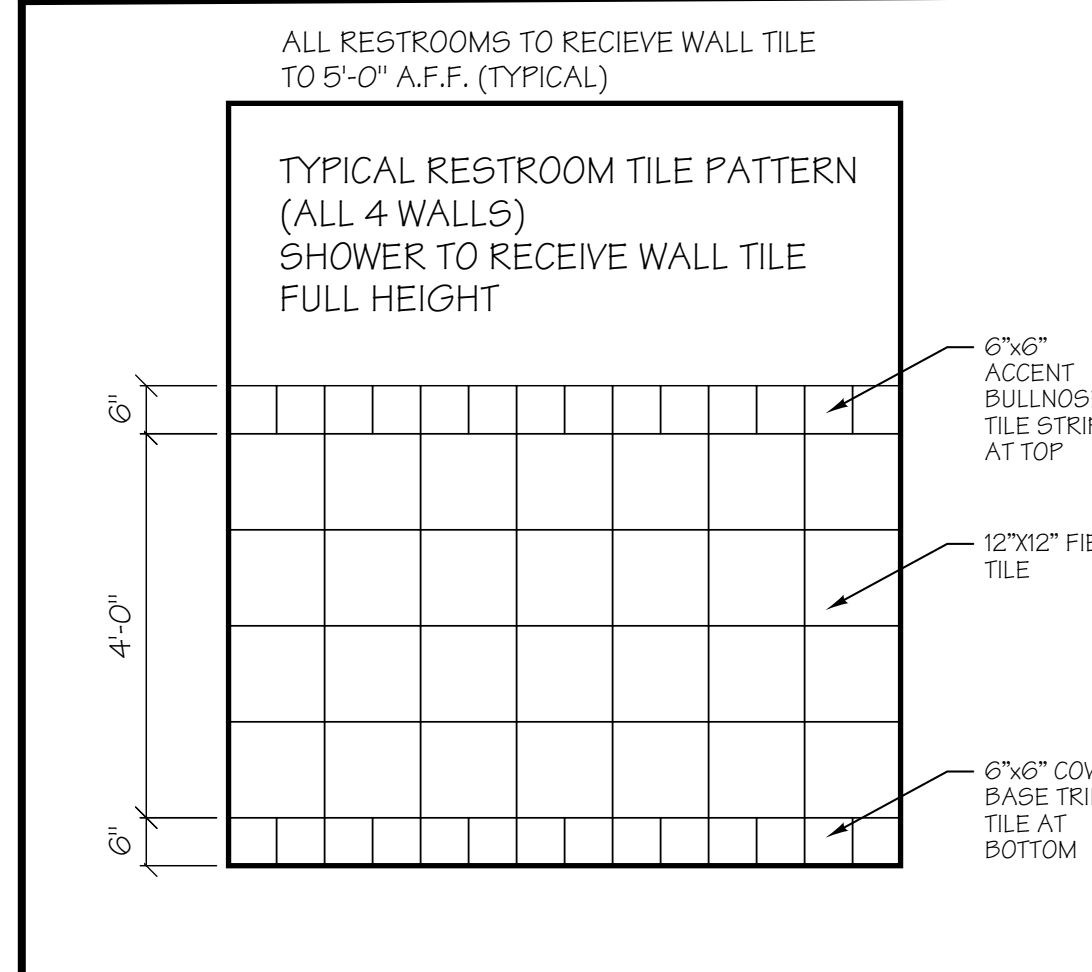
A.D.A. DRINKING FOUNTAIN & NICHE FRONT VIEW



CHILDREN'S RESTROOM ADA NOTE

CHILDREN'S TOILET ROOM DESIGN SHALL COMPLY WITH MODIFICATIONS TO ACCESSIBILITY STANDARDS FOR CHILDREN'S ENVIRONMENTS PER ICC/ANSI A117.1-98

RESTROOM WALL TILE DIAGRAM

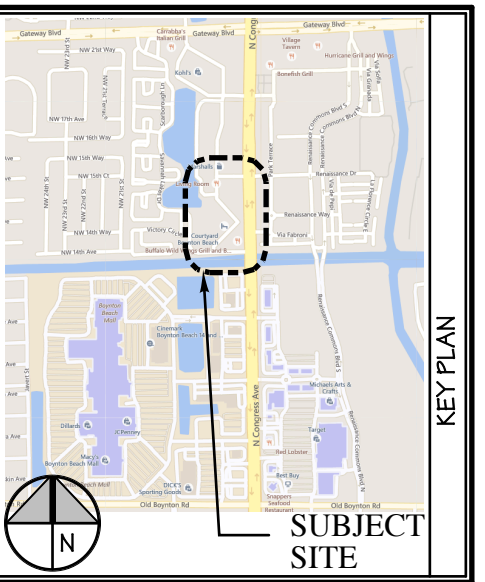


RESTROOM ACCESSORY SCHEDULE

#	Description	Manufacturer	Model #	Remarks
1	36" GRAB BAR	BOBRICK	B-5806 x 36	1.25 DIAMETER, 18 GA. SATIN SS.
1b	24" GRAB BAR	BOBRICK	B-5806 x 24	1.25 DIAMETER, 18 GA. SATIN SS.
2	42" GRAB BAR	BOBRICK	B-5806 x 42	1.25 DIAMETER, 18 GA. SATIN SS.
3	TOILET TISSUE DISPENSER	BOBRICK	B-2888	MULTI ROLL DISPENSER
3b	TOILET TISSUE DISPENSER	BOBRICK	B-273	SINGLE ROLL DISPENSER
4	LIQUID SOAP DISPENSER	BOBRICK	B-4112	
5	18"x30" MIRROR	BOBRICK	B-293 - 1830	SAFETY MIRROR
6	PAPER TOWEL DISPENSER	BOBRICK	B-359	RECESSED
7	18"x34" SHOWER GRAB BAR	BOBRICK	B-6861	1.25 DIAMETER, 18 GA. SATIN SS.
8	WATER CLOSET (ADULT HGT.)	AMERICAN STANDARD	3305.000	CADET 3 RIGHT HEIGHT (SEE PLUMB.)
9	WATER CLOSET (CHILD HGT.)	AMERICAN STANDARD	2315.228	BABY DEVORO (SEE PLUMBING DWGS)
10	LAVATORY (WALL HUNG)	AMERICAN STANDARD	0321.075	DECLYN (SEE PLUMBING DWGS)
11	LAVATORY (WALL HUNG)	AMERICAN STANDARD	0321.075	DECLYN (SEE PLUMBING DWGS)
12	WATER COOLER	ELKAY	EZ5TL&C	A.D.A. 2 STATION WALL MOUNT MODEL

RESTROOM NOTES

- SEE PLUMBING DRAWINGS FOR ADDITIONAL FIXTURE INFORMATION.
- TOILET ACCESSORIES SHALL BE INSTALLED PER MANUFACTURER'S STANDARDS SPECIFICATIONS AND RECOMMENDATIONS FOR EACH APPLICATION SHOWN.
- CONTRACTOR TO PROVIDE REQUIRED BLOCKING FOR CABINETS, GRAB BARS & ALL OTHER ACCESSORIES THAT REQUIRE BLOCKING REINFORCEMENT.
- CONTRACTOR SHALL PROVIDE CLEARANCE FOR TOILET ACCESSORIES PER FBC 5th Edition (2014) CHAPTER 11, FLORIDA ACCESSIBILITY CODE.
- MILLWORK SHOP DWGS TO INCLUDE FIELD DIMENSIONS, FULLY DETAILED SECTIONS & ELEVATIONS FOR APPROVAL APPLICATION SHOWN.
- WATER SUPPLY AND DRAIN PIPES UNDER LAVATORIES AND SINKS SHALL BE INSULATED OR OTHERWISE CONFIGURED TO PROTECT AGAINST CONTACT. THERE SHALL BE NO SHARP OR ABRASIVE SURFACES UNDER LAVATORIES AND SINKS.



MARK	DESCRIPTION	DATE
▲		
▲		
▲		
▲		

REVISION BLOCK

ARCHITECTURE/PLANNING
MARC WIENER, A.I.A.
AK # 000416
851 SOUTH FEDERAL HWY. STE 202
BOCA RATON, FLORIDA 33432
561-750-4111 FAX: 561-750-5298

ARCHITECT

SOUTH FLORIDA SCHOOLS, LLC.
1820 SW 3 AVE. STE 202
MIAMI, FLORIDA 33129

OWNER IDENTIFICATION

KLA CHILDCARE
FORMER 'PETE ROSE' RESTAURANT
INTERIOR IMPROVEMENT

1601 N CONGRESS AVE
BOYNTON BEACH, FLORIDA

BUILDING

JOB NUMBER	15118
SCALE	AS NOTED
PROJECT DATE	
ISSUE DATE	16.03.22
BID DATE	

PROJECT

DRAWN BY	BB
CHECKED BY	MW
DISCIPLINE	ARCHITECTURE
PLAN TYPE	INT. ELEVATIONS
SHEET NUMBER	A4.03

SHEET