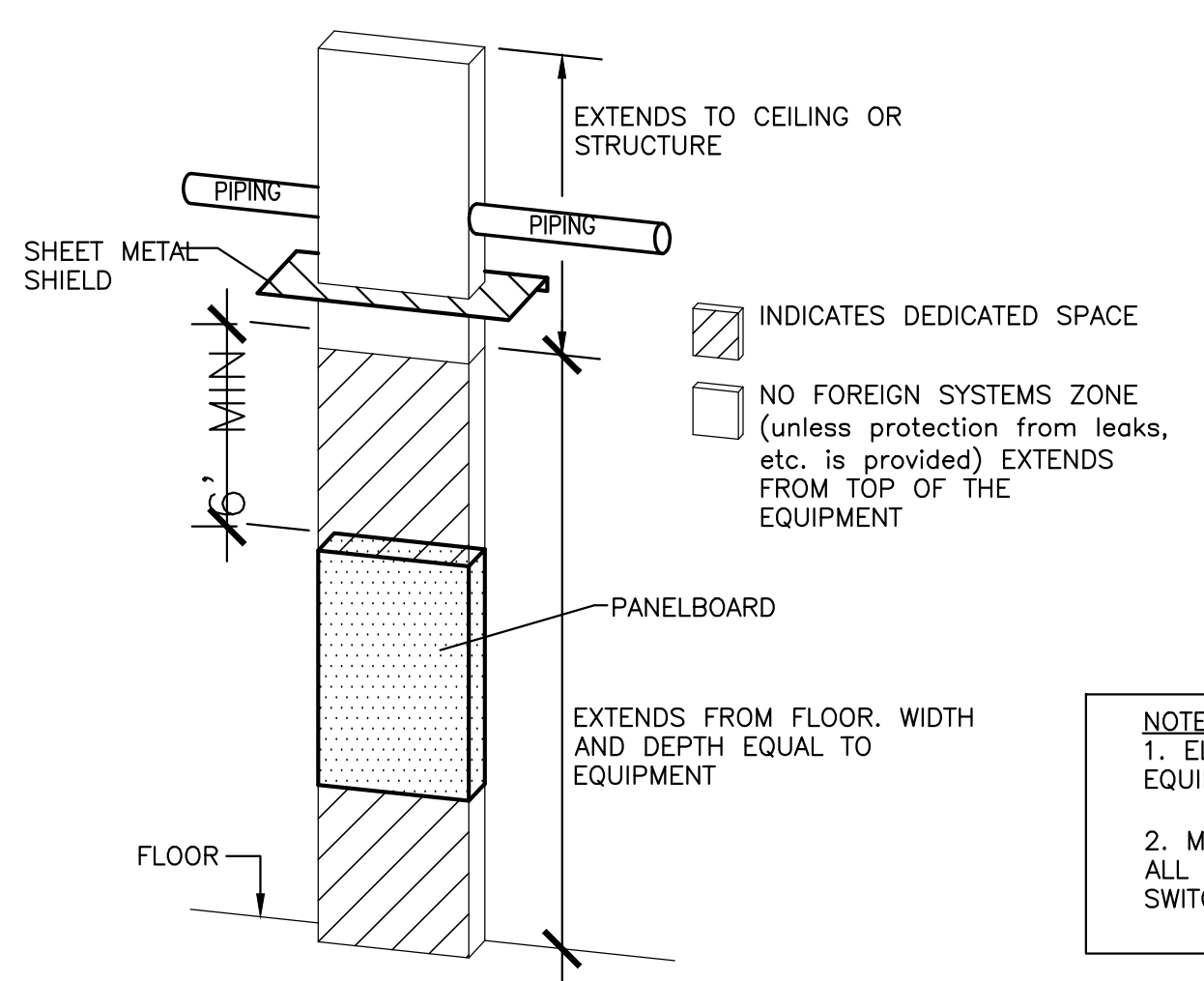


### WATTSTOPPER DW-100 WALL SWITCH/OCCUPANCY SENSOR

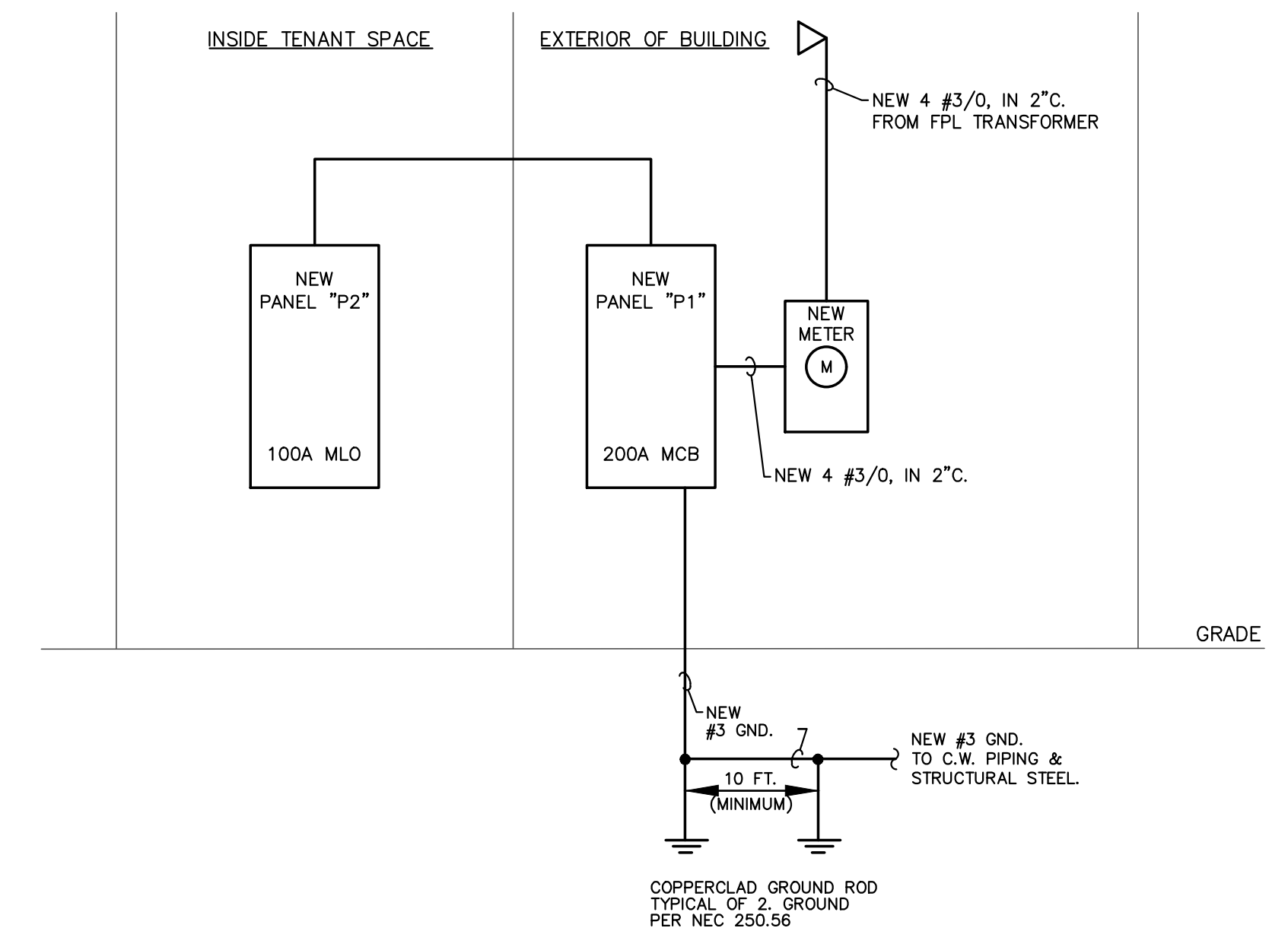
N.T.S.



### DEDICATED EQUIPMENT SPACE

N.T.S.

**NOTES:**  
 1. ELECTRICAL CONTRACTOR SHALL COORDINATE EQUIPMENT LOCATIONS WITH ALL OTHER TRADES  
 2. MAINTAIN MINIMUM 3'-0" CLEAR SPACE IN FRONT OF ALL SWITCHGEAR, PANELBOARDS, STARTERS, SAFETY SWITCHES, ETC., OR AS REQUIRED BY N.E.C.



### ELECTRICAL RISER DIAGRAM

A.I.C. RATING 10,000 AIC		FED FROM PANEL "P1"		MAINS 100A MLO						
TYPE SQ. D. NOOB		PANEL P2 (NEW)		BUS RATING 100A						
MOUNTING FLUSH				VOLTAGE 120/240V. 3PH. 4W						
DESCRIPTION	WIRE	GRD.	COND.	CB	CKT.	KILOWATTS			DESCRIPTION	
RECEPT - REACH-IN COOLER (E-1)	2#12	#12	3/4"	20	1	0.9			RECEPT - TEA MACHINE (E-12)	
SPACE					3				RECEPT - COFFEE MACHINE (E-13)	
RECEPT - FRYER & GRILL (E-2 & 3)	2#12	#12	3/4"	20	5	0.2			RECEPT - SODA FOUNTAIN (E-14)	
RECEPT - 4-BURNER (E-5)	2#12	#12	3/4"	20	7	0.2			RECEPT - REACH-IN COOLER (E-15)	
SPACE					9				RECEPT - CONVECTION OVEN (E-16)	
RECEPT - TOASTER (E-6)	2#12	#12	3/4"	20	11	1.7			RECEPT - ICE MAKER (E-17)	
RECEPT - SANDWICH PREP UNIT (E-7)	2#12	#12	3/4"	20	13	1.1			RECEPT - GENERAL (KITCHEN)	
SPACE					15				RECEPTS - GENERAL (DINING)	
RECEPT - MICROWAVE (E-8)	2#12	#12	3/4"	20	17	1.5			RECEPTS - RESTROOMS	
RECEPT - DISHWASHER (E-9)	2#12	#12	3/4"	20	19	1.1			SPACE	
SPACE					21				SPACE	
RECEPT - POS	2#12	#12	3/4"	20	23	1.0			SPACE	
RECEPTS - SM. APP.	2#12	#12	3/4"	20	25	1.5			SPACE	
SPACE					27				SPACE	
J-BOX - SIGN **	2#12	#12	3/4"	20	29	1.2			SPACE	
J-BOX - HOOD CONTROLS & LIGHTS	2#12	#12	3/4"	20	31	0.3			SPACE	
SPACE					33				SPACE	
LIGHTING - KITCHEN, JAN, RR'S	2#12	#12	3/4"	20	35	0.4			SPACE	
LIGHTING - DINING	2#12	#12	3/4"	20	37	0.3			SPACE	
SPACE					39				SPACE	
SPACE					41				SPACE	
SUBTOTAL						5.4	0.0	6.0		
TOTAL LOAD / PHASE						12.9	7.4	13.4		

**CALCULATED DEMAND LOAD SUMMARY**

NON-DEMAND LOADS @ 100% 5.7 KW  
 LIGHTING (0.7) @ 125% 0.9 KW  
 KITCHEN EQUIP. (27.3) @ 65% 17.7 KW  
 TOTAL CALCULATED DEMAND 24.3 KW  
 TOTAL CALCULATED DEMAND 58.5 AMPS

A.I.C. RATING 10,000 AIC		FED FROM EXISTING METER CENTER		MAINS 200A MCB						
TYPE SQ. D. NOOB NEMA 3R		PANEL P1 (NEW)		BUS RATING 225A						
MOUNTING SURFACE				VOLTAGE 120/240V. 3PH. 4W						
DESCRIPTION	WIRE	GRD.	COND.	CB	CKT.	KILOWATTS			DESCRIPTION	
PANEL "P2"	4#3/0	#6	2"	100	1	12.9			RTU-1	
RECEPT - ROOF	2#12	#12	3/4"	20	7	0.2		13.4	RTU-2	
SPACE					9				HOOD SF-1	
RECEPTS - EXTERIOR	2#12	#12	3/4"	20	11			0.4	HOOD EF-1	
SPACE					13				SPACE	
SPACE					15				SPACE	
SPACE					17				SPACE	
SPACE					19				SPACE	
SPACE					21				SPACE	
SPACE					23				SPACE	
SPACE					25				SPACE	
SPACE					27				SPACE	
SPACE					29				SPACE	
SPACE					31				SPACE	
SPACE					33				SPACE	
SPACE					35				SPACE	
SPACE					37				SPACE	
SPACE					39				SPACE	
SPACE					41				SPACE	
SUBTOTAL						13.1	7.4	13.8		
TOTAL LOAD / PHASE						25.5	19.8	24.6		

**CALCULATED DEMAND LOAD SUMMARY**

NON-DEMAND LOADS @ 100% 41.9 KW  
 LIGHTING (0.7) @ 125% 0.9 KW  
 KITCHEN EQUIP. (27.3) @ 65% 17.7 KW  
 TOTAL CALCULATED DEMAND 60.5 KW  
 TOTAL CALCULATED DEMAND 145.7 AMPS

TO THE BEST OF MY KNOWLEDGE THE PLANS AND SPECIFICATIONS COMPLY WITH THE APPLICABLE MINIMUM BUILDING CODES AS DETERMINED BY THE LOCAL AUTHORITY IN ACCORDANCE WITH THE 2014 FLORIDA BUILDING CODE, ALL AMENDMENTS AND SECTION 633 OF THE FLORIDA STATUTES.

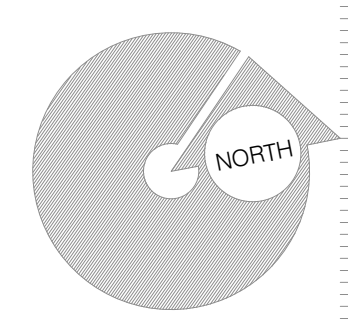
**RISER & SCHEDULES**  
 AS NOTED  
 PROGRESS SET/NFC 03/04/2016

Level II Alteration  
**Green Owl Restaurant**  
 11 SE 4th Ave.  
 Delray Beach, Florida

R.B.A. PN. 10116.01

Issued Date:

Joeven M. Valenzuela P.E.  
 Florida Reg. No. 60287



**E**  
**3.1**

ALL DESIGNS, CONCEPTS, AND IDEAS CONTAINED AND REPRESENTED HEREIN ARE THE PROPERTY OF RICK BRAUTIGAN ARCHITECTURE, INC. AND MAY NOT BE ALTERED, CHANGED, MODIFIED OR COPIED WITHOUT THE PERMISSION OF RICK BRAUTIGAN ARCHITECTURE, INC. EXPRESSED IN WRITING.  
 1. DIMENSIONS ARE NOT TO BE SCALED. WRITTEN DIMENSIONS TAKE PRECEDENCE OVER ALL SCALED DIMENSIONS. 2. CONTRACTOR TO VERIFY ALL DIMENSIONS AND ADVISE ARCHITECT OF ANY DISCREPANCIES. CONSTRUCTION SHALL NOT PROCEED UNTIL SAID DISCREPANCIES HAVE BEEN RESOLVED.  
 3. NO MATERIALS OR SYSTEMS ARE TO BE FABRICATED UNTIL ALL DIMENSIONS HAVE BEEN VERIFIED BY CONTRACTOR'S SHOP DRAWINGS HAVE BEEN REVIEWED AND ACCEPTED BY THE ARCHITECT.