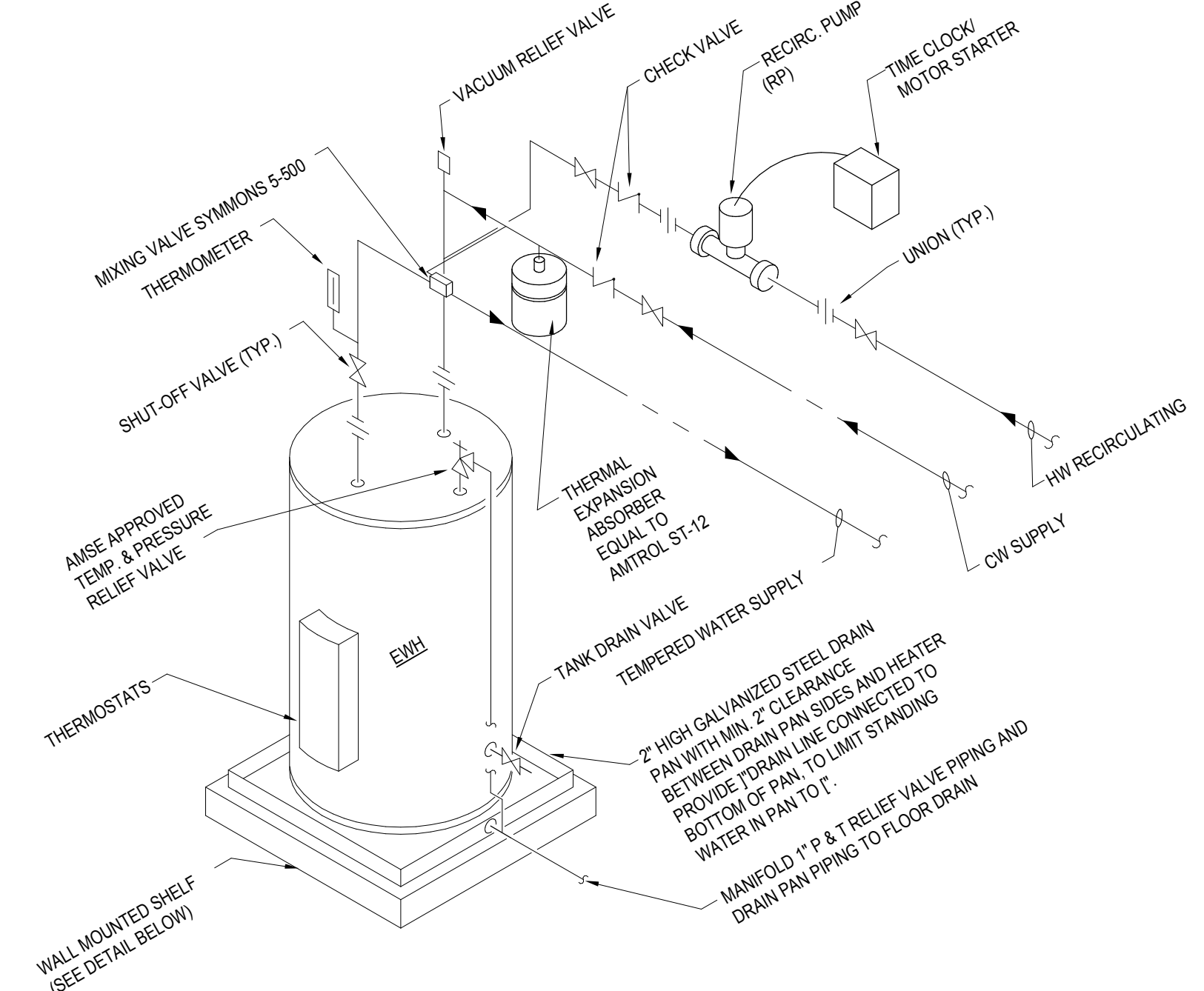
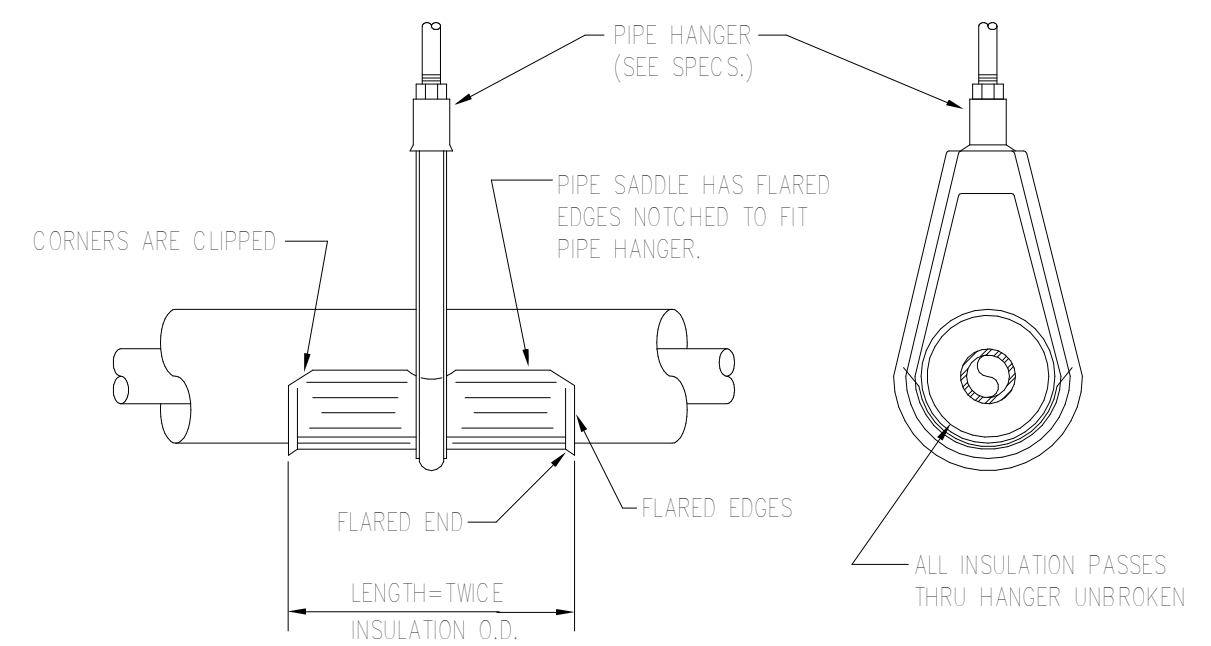


REVISIONS	
REVISION 1	2/4/16

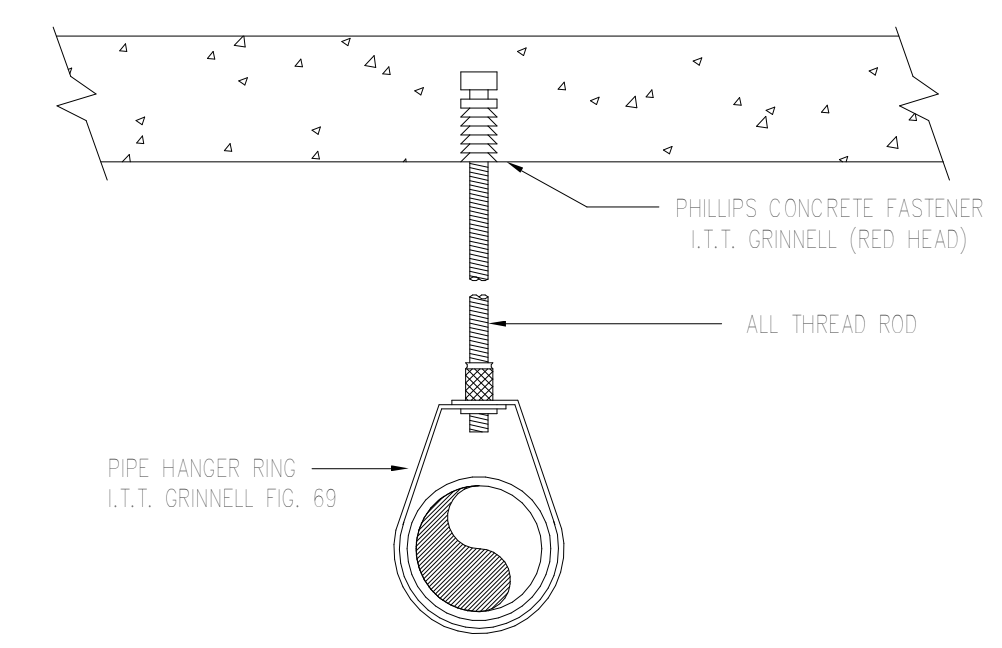
JOB NO.	11-523
DATE	01.28.16
DRAWN BY	LTB
CHECKED BY	JTW



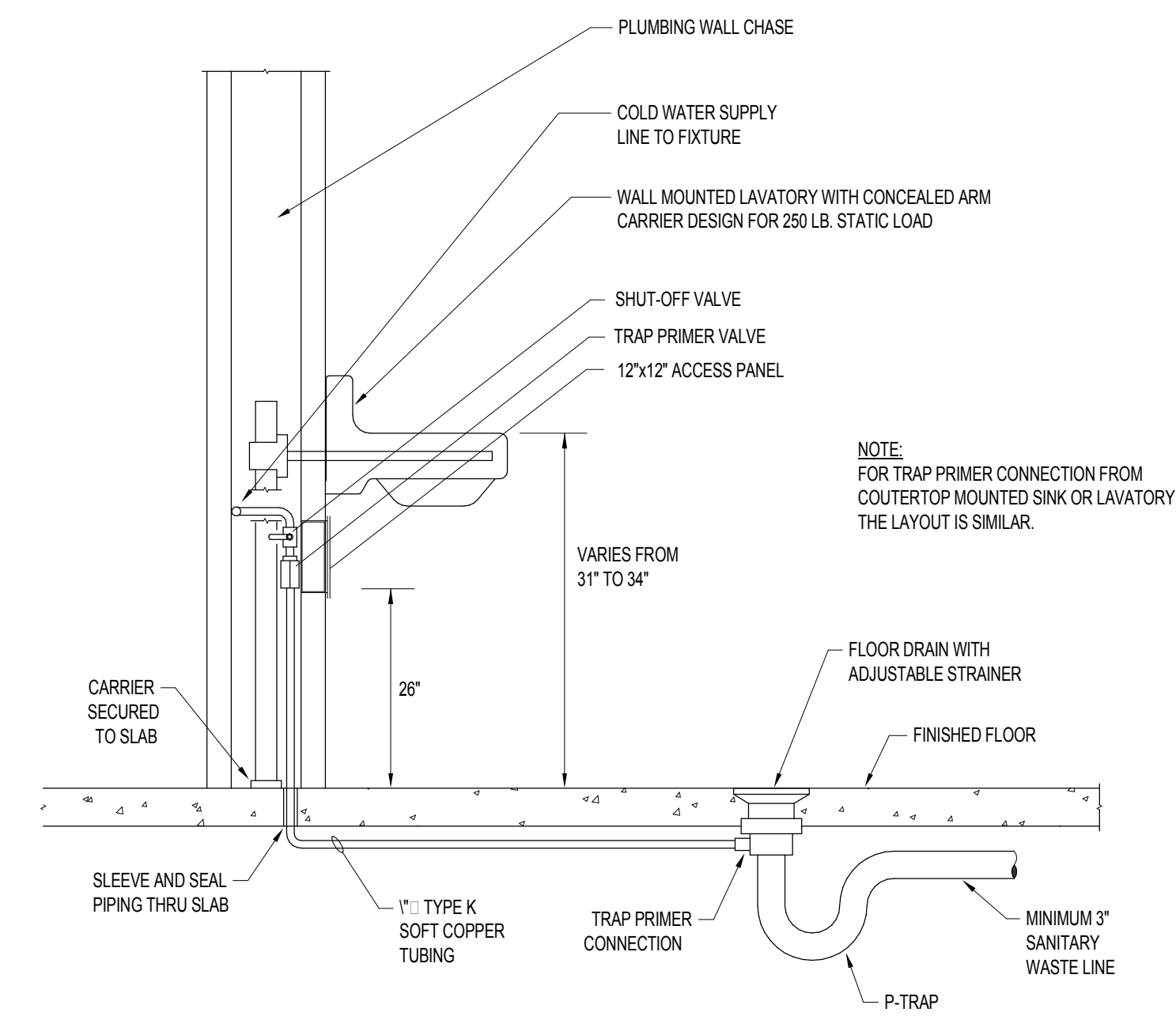
ELECTRIC WATER HEATER DETAIL (EWH-1)
NTS



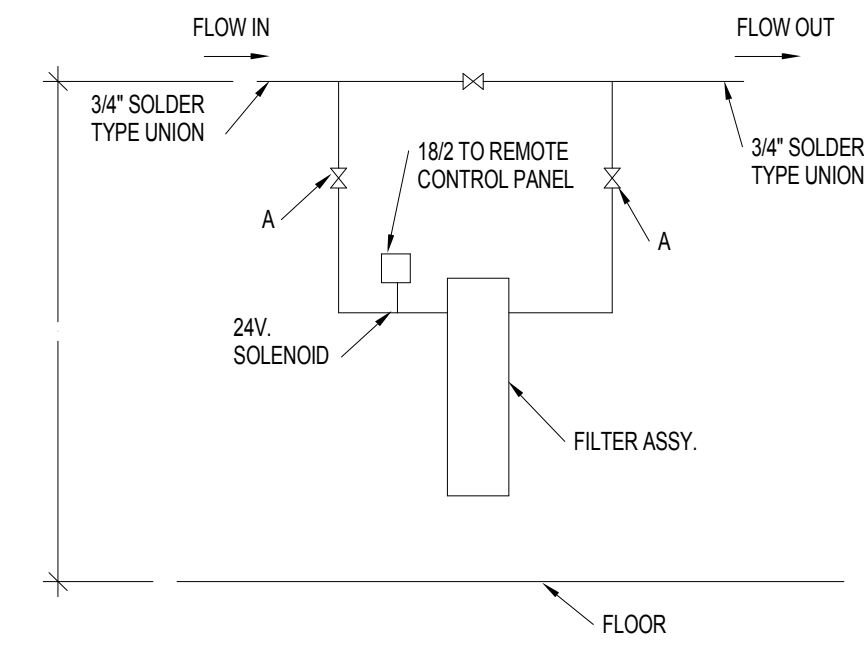
INSULATED PIPE HANGER DETAIL
NTS



CONCRETE INSERT PIPE HANGER DETAIL
(U.L./F.M. APPROVED) NTS

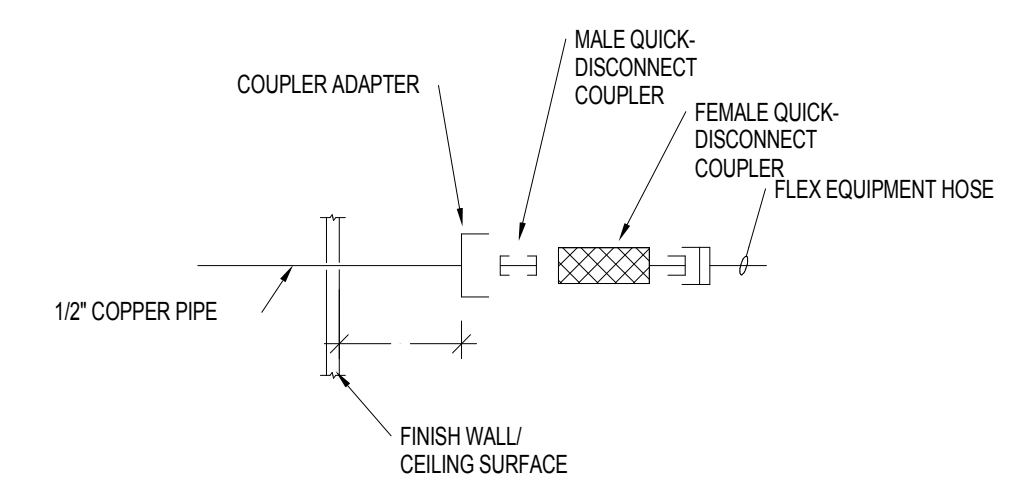


FLOOR DRAIN DETAIL
NTS

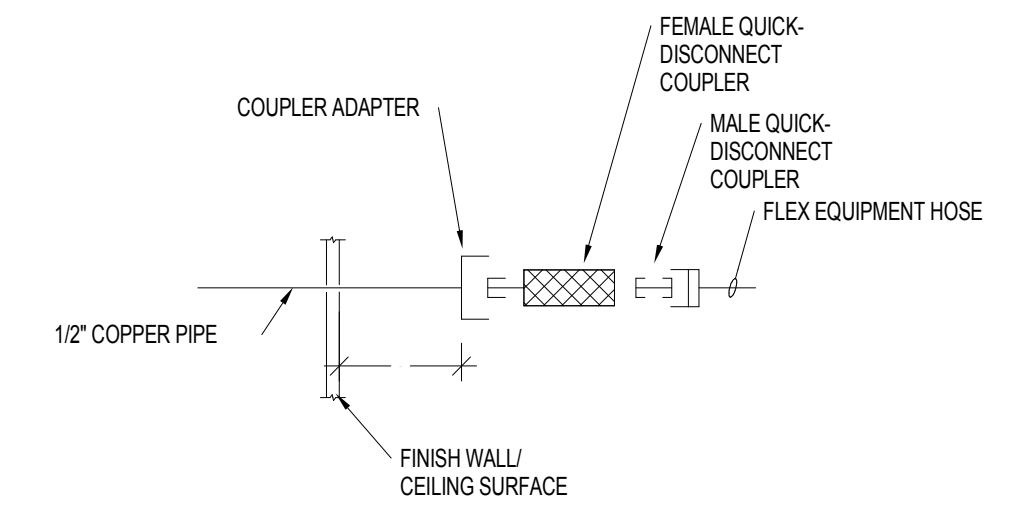


WATER FILTER DETAIL
NTS

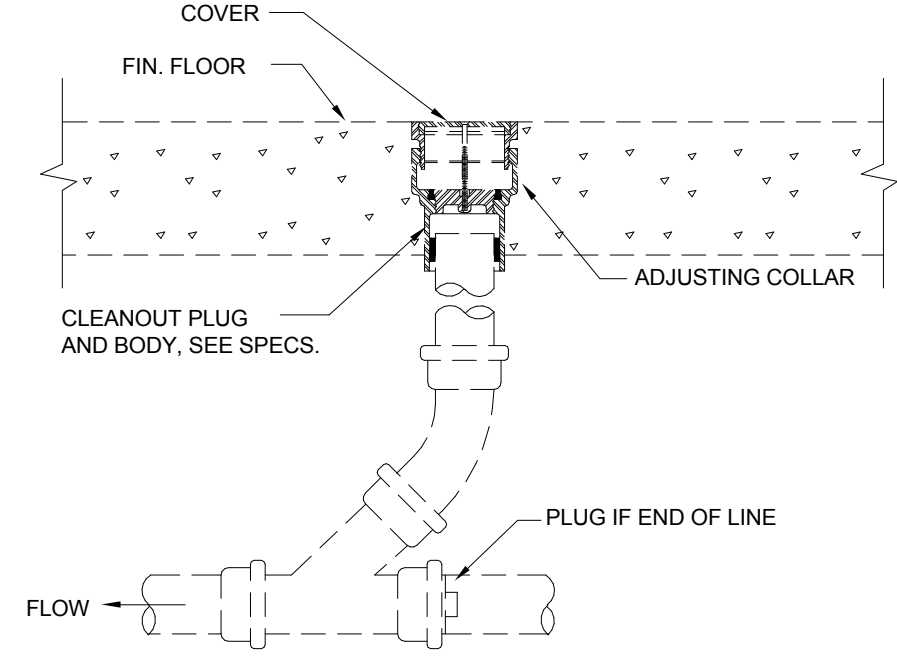
NOTE: INLET IS ON LEFT/OUTLET ON RIGHT
 TO REVERSE FLOW:
 1. DISCONNECT SOLENOID/FILTER ASSY AT UNIONS A
 2. ROTATE SOLENOID/FILTER ASSY 180° & RECONNECT.



AIR HOSE CONNECTION DETAIL
NTS

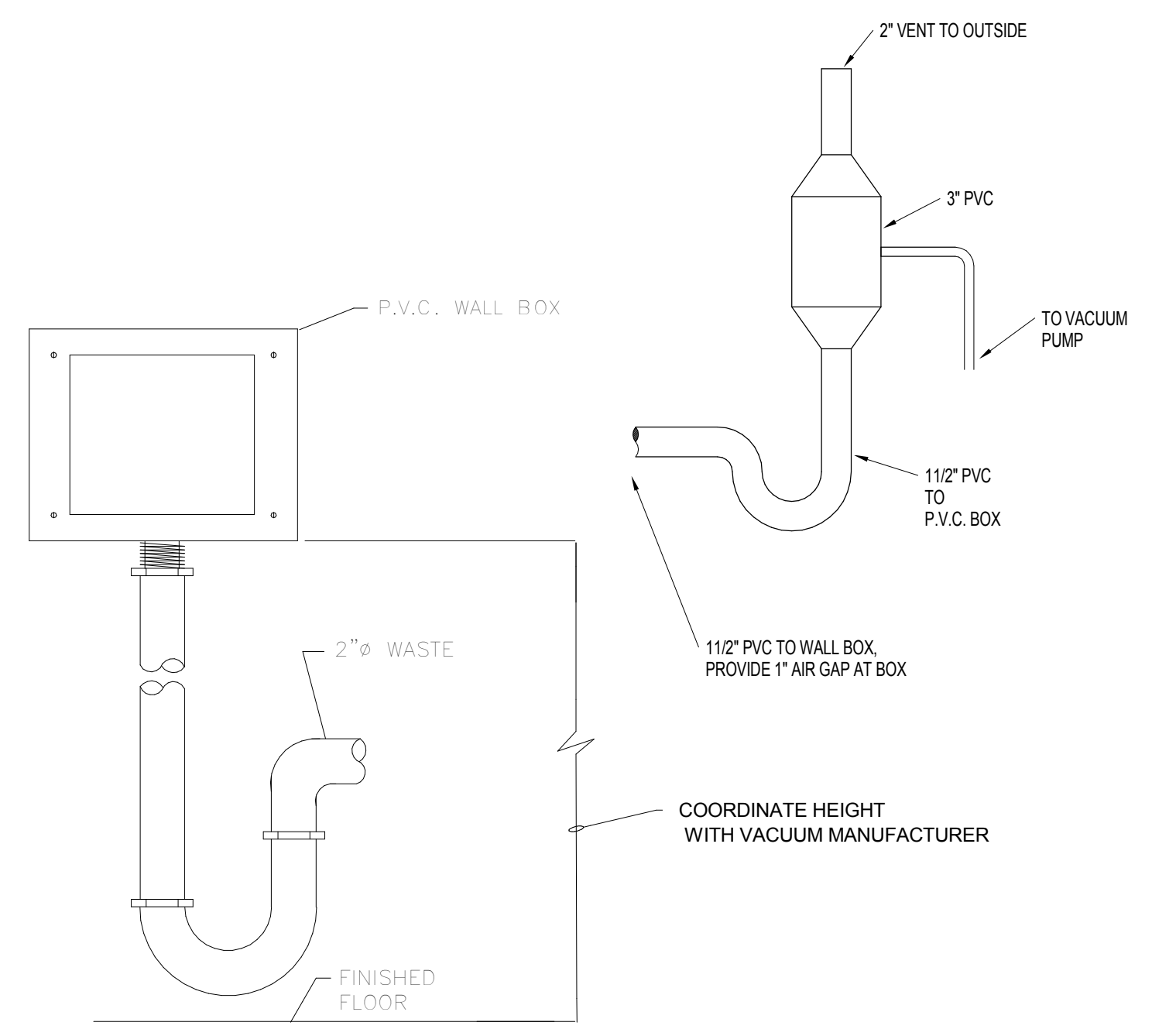


AIR HOSE CONNECTION DETAIL
NTS



FLOOR CLEANOUT DETAIL
NTS

CAST-IRON PIPE FITTINGS SHOWN
 NOTE: PVC SYSTEM SIMILAR



VACUUM VENT/RAIN DETAIL
NTS

NTS