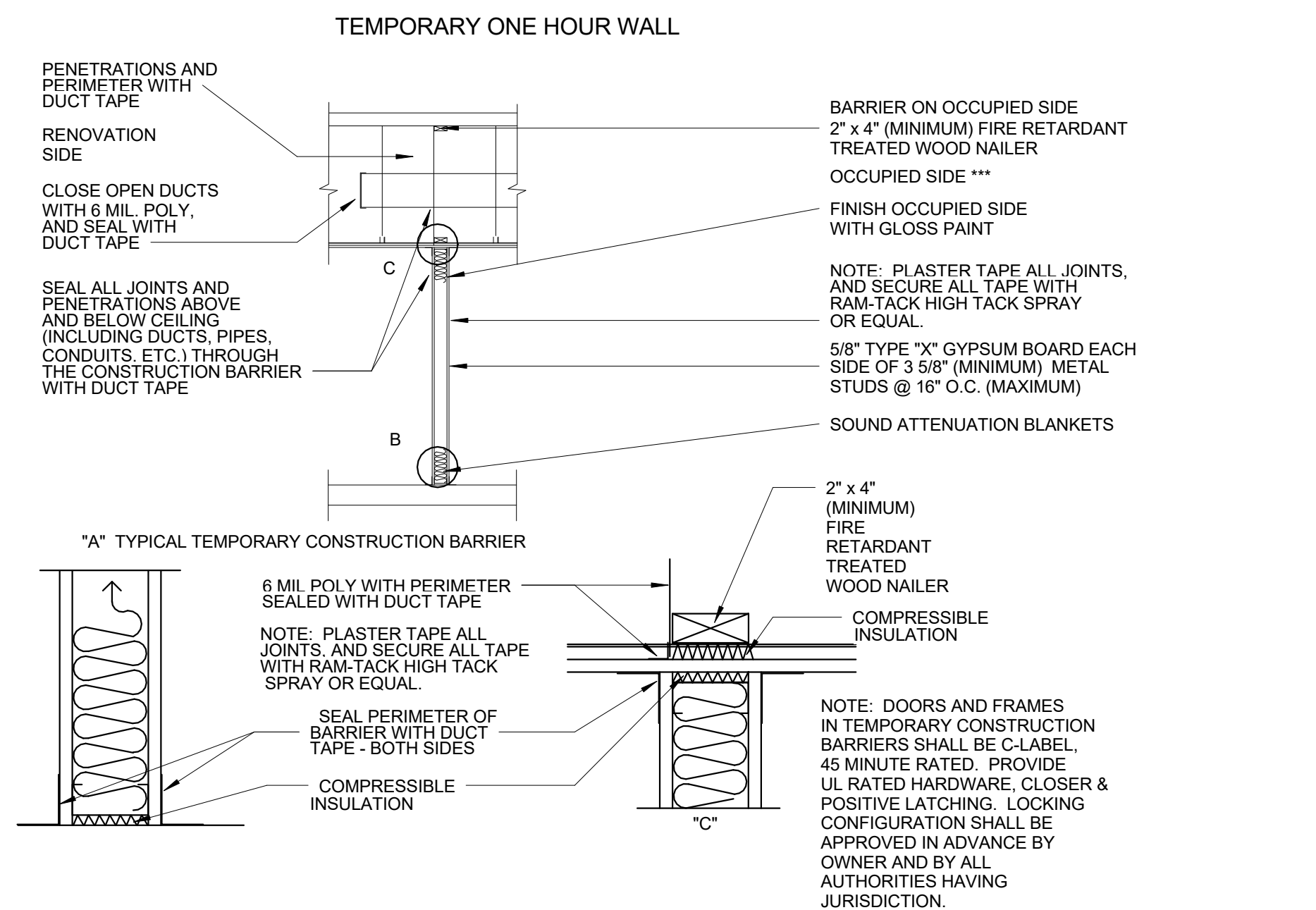
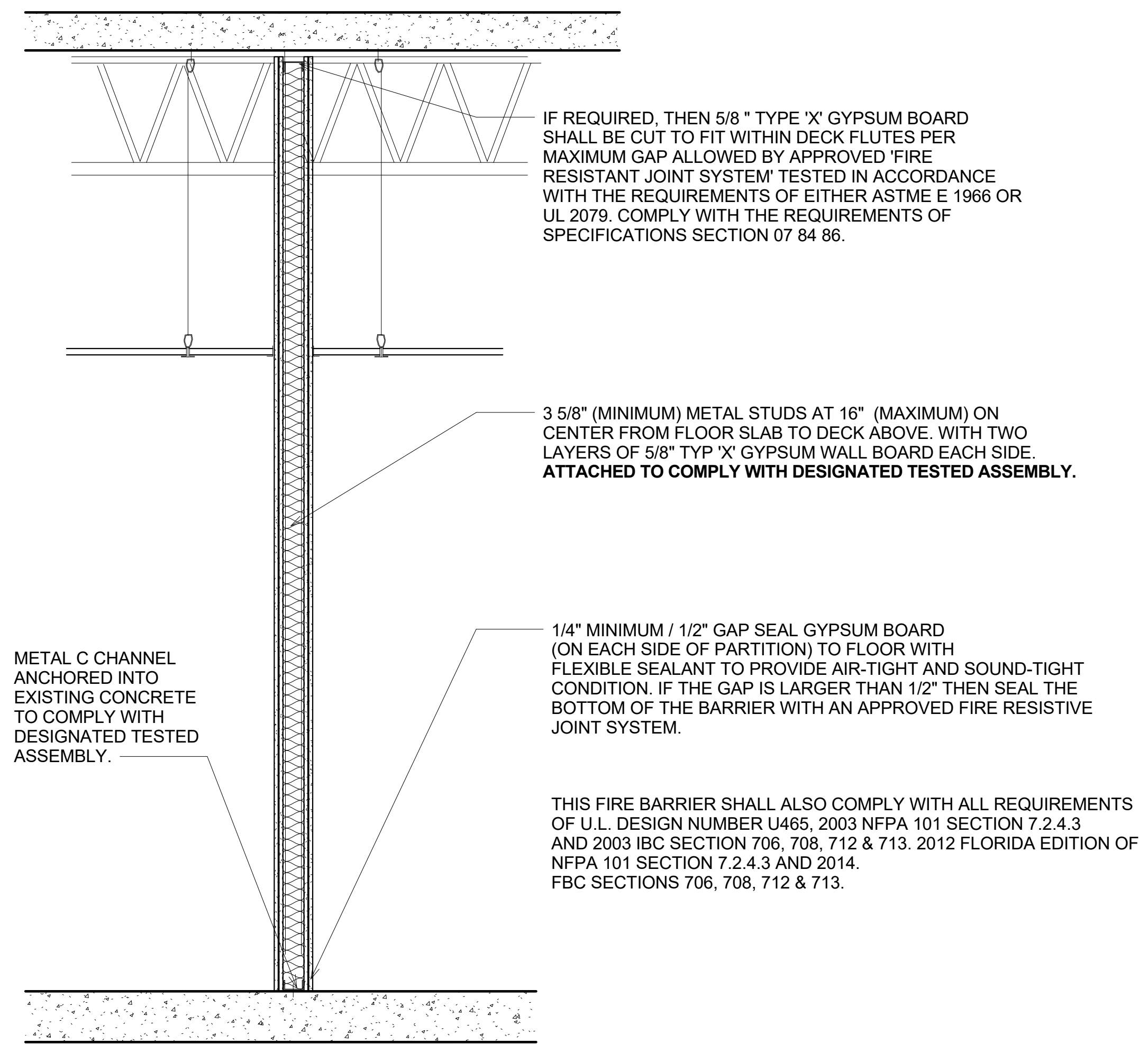


1
A8.0 WALL TYPE 'A' NONRATED INTERIOR PARTITION
3/4" = 1'-0"

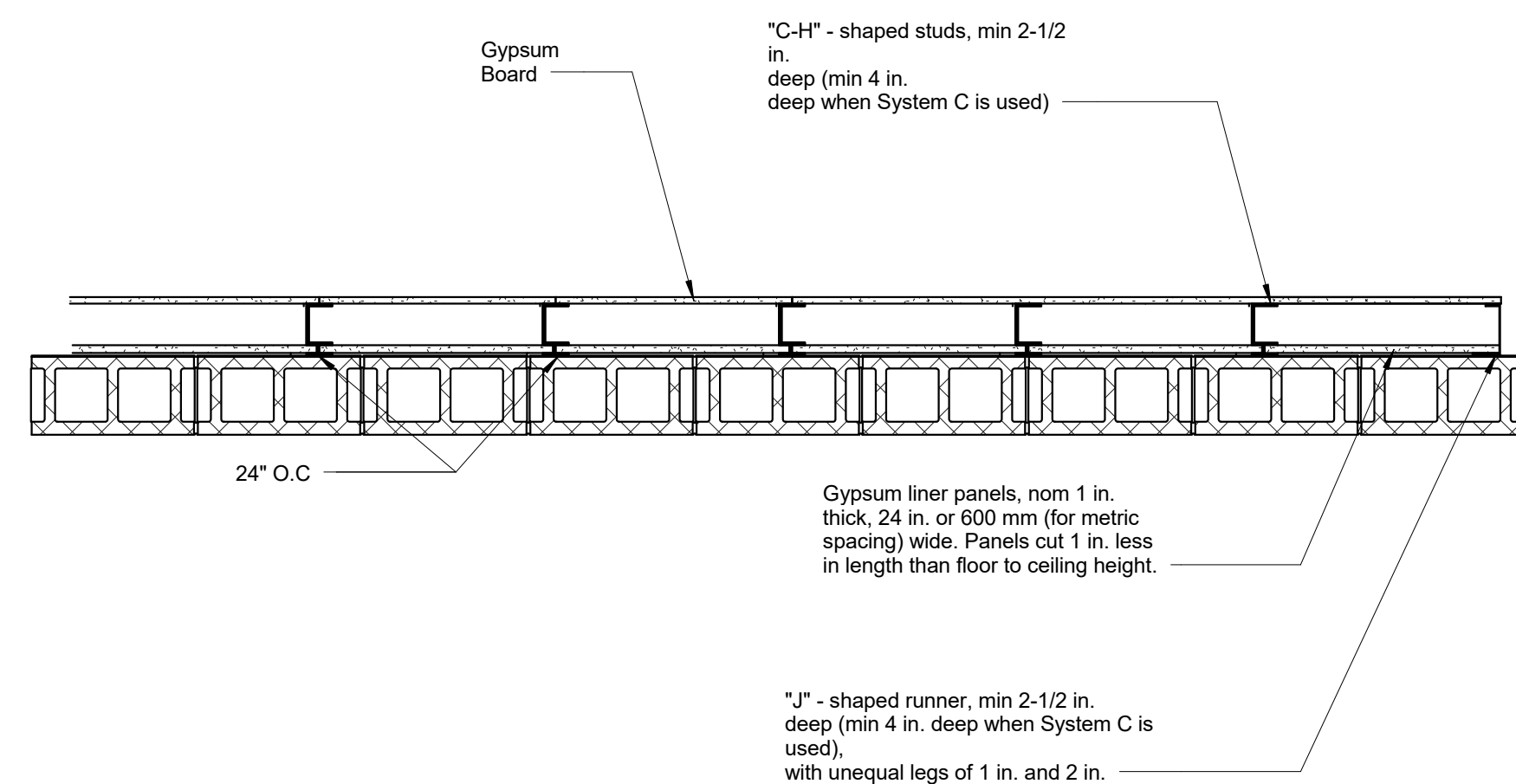


5
A8.0 WALL TYPE- TEMPORARY ONE-HOUR FIRE BARRIER
12" = 1'-0"

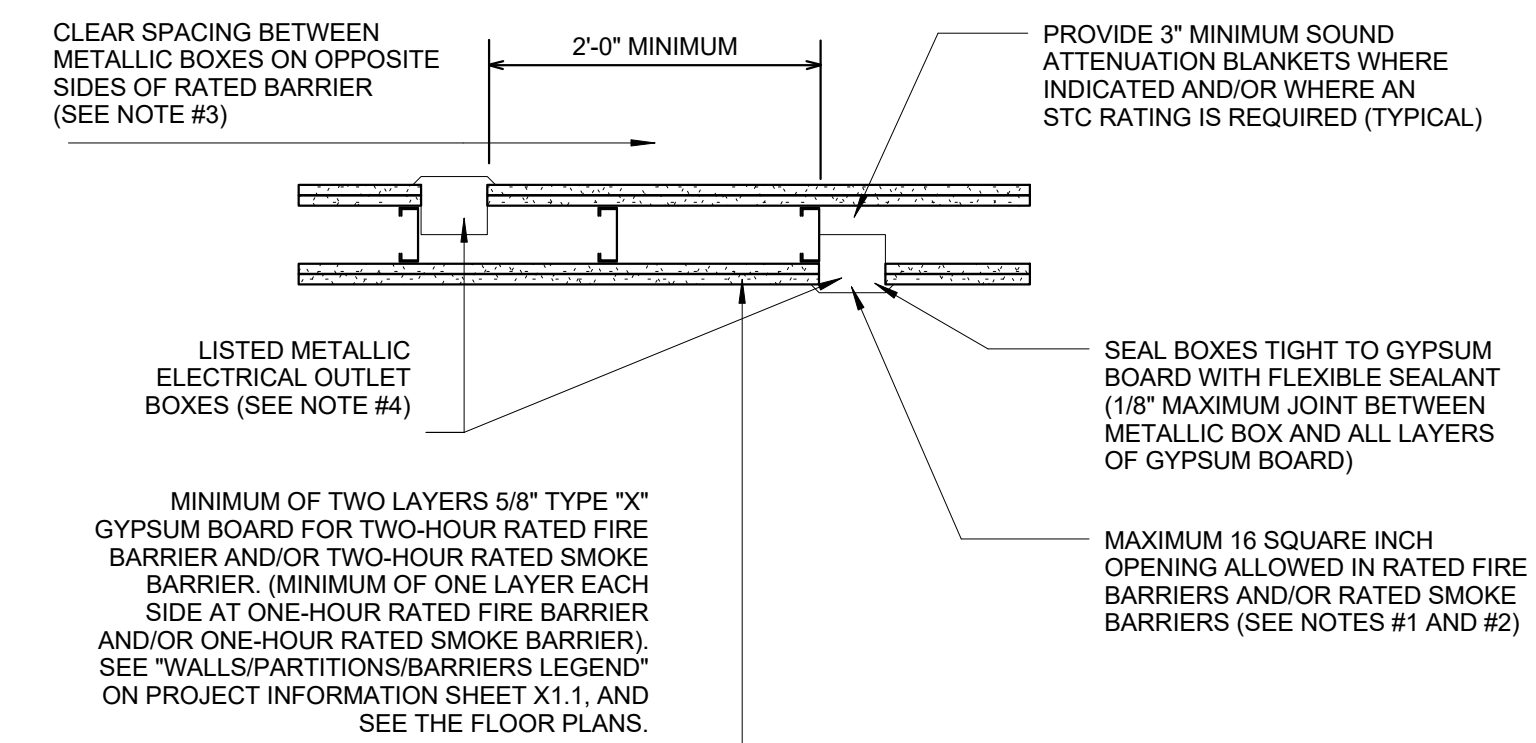


3
A8.0 WALL TYPE "C" ONE HOUR RATED FIRE BARRIER
3/4" = 1'-0"

- NOTES:
1. IN ALL RATED FIRE BARRIERS AND/OR RATED SMOKE BARRIERS, THE SURFACE AREA OF THE INDIVIDUAL RECESSED METALLIC ELECTRICAL OUTLET BOXES SHALL NOT EXCEED 16 SQUARE INCHES, AND THE AGGREGATE SURFACE AREA OF ALL RECESSED BOXES SHALL NOT EXCEED 100 SQUARE INCHES PER 100 SQUARE FEET OF WALL SURFACE. RECESSED BOXES WHICH EXCEED EITHER OF THESE STANDARDS SHALL BE RECESSED AS SHOWN IN "RECESSED METAL WALL CABINETS" DETAILS 6A/A8.2 AS APPLICABLE.
 2. COMPLY WITH ALL REQUIREMENTS OF: FBC SECTION 712.3.2; NFPA 101 SECTION 8.3.5.6.3; CURRENT EDITION OF U.L. FIRE RESISTANCE DIRECTORY, VOLUME I, DESIGN INFORMATION SHEET, UNDER "VI. WALL AND PARTITION ASSEMBLIES", UNDER "6. METALLIC ELECTRICAL OUTLET BOXES"; AND GYPSUM ASSOCIATION GA-600 FIRE RESISTANCE DESIGN MANUAL, UNDER "GENERAL EXPLANATORY NOTES".
 3. METALLIC OUTLET BOXES LOCATED ON OPPOSITE SIDES OF RATED FIRE BARRIERS AND/OR RATED SMOKE BARRIERS SHALL BE IN SEPARATE STUD CAVITIES AND SHALL BE SEPARATED BY A MINIMUM HORIZONTAL DISTANCE OF 24 INCHES (REGARDLESS OF THE VERTICAL SEPARATION BETWEEN THE RECESSED METALLIC OUTLET BOXES); OR PROVIDE PUTTY PADS TO COMPLY WITH THE REQUIREMENTS OF FBC SECTION 712.3.2 EXCEPTION #2 AND NFPA 101 LIFE SAFETY CODE SECTION 8.3.5.6.
 4. THIS DETAIL APPLIES TO METALLIC ELECTRICAL OUTLET BOXES USED FOR FIRE ALARM DEVICES, ELECTRICAL SWITCHES, ELECTRICAL RECEPTACLES, BACK BOXES, JUNCTION BOXES, COMMUNICATION DEVICES, SECURITY DEVICES, THERMOSTATS, SENSORS, FIRE ALARM DEVICES, ETC. COMPLY WITH ALL REQUIREMENTS OF NFPA 101 LIFE SAFETY CODE SECTION 8.3.5.6.
 5. NOTE: METALLIC ELECTRICAL OUTLET BOXES CANNOT BE RECESSED INTO ANY WALL OR BARRIER WITH A RATING GREATER THAN TWO-HOURS.



2
A8.0 WALL TYPE "1S" ONE HOUR SHAFT WALL
3/4" = 1'-0"



4
A8.0 METALLIC ELECTRICAL OUTLET BOXES RECESSED IN RATED FIRE BARRIERS AND/OR RATED SMOKE BARRIERS
12" = 1'-0"

CONSULTANTS:
STRUCTURAL ENGINEERING:
STRUCTURES INTERNATIONAL, INC.
7501 Willes Rd.
Coral Springs, FL 33067
(954) 227-1512
ELECTRICAL, MECHANICAL, PLUMBING:
AMERICAN UNITED ENGINEERS
4508 SW 24TH STREET
FORT LAUDERDALE, FL 33317
PHONE: (954) 471-8657

PROJECT:
BAY 37
WESTGATE SHOPPING CENTER
100 N STATE ROAD 7
PLANTATION, FL 33317
INTERIOR IMPROVEMENTS

FINAL CONTRACT DOCUMENTS

PROJECT NUMBER: 1600-3
DATE: JUNE 6, 2016

ADDENDA/REVISION		
No.	Date	Description

SEAL:

CYNTHIA C. SPRAY, AIA AR-94167

DRAWING TITLE:
CONSTRUCTION DETAILS

DRAWING NO:
A8.0