

**CONSULTANTS:**  
**STRUCTURAL ENGINEERING:**  
 STRUCTURES INTERNATIONAL, INC.  
 7501 Willes Rd.  
 Coral Springs, FL 33067  
 (954) 227-1512  
**ELECTRICAL, MECHANICAL, PLUMBING:**  
 AMERICAN UNITED ENGINEERS  
 4508 SW 24TH STREET  
 FORT LAUDERDALE, FL 33317  
 PHONE: (954) 471-8657

**PROJECT:**  
 BAY 39  
 WESTGATE SHOPPING CENTER  
 100 N STATE ROAD 7  
 PLANTATION, FL 33317  
**INTERIOR IMPROVEMENTS**

**FINAL CONTRACT DOCUMENTS**

PROJECT NUMBER: 1600-4  
 DATE: JUNE 6, 2016

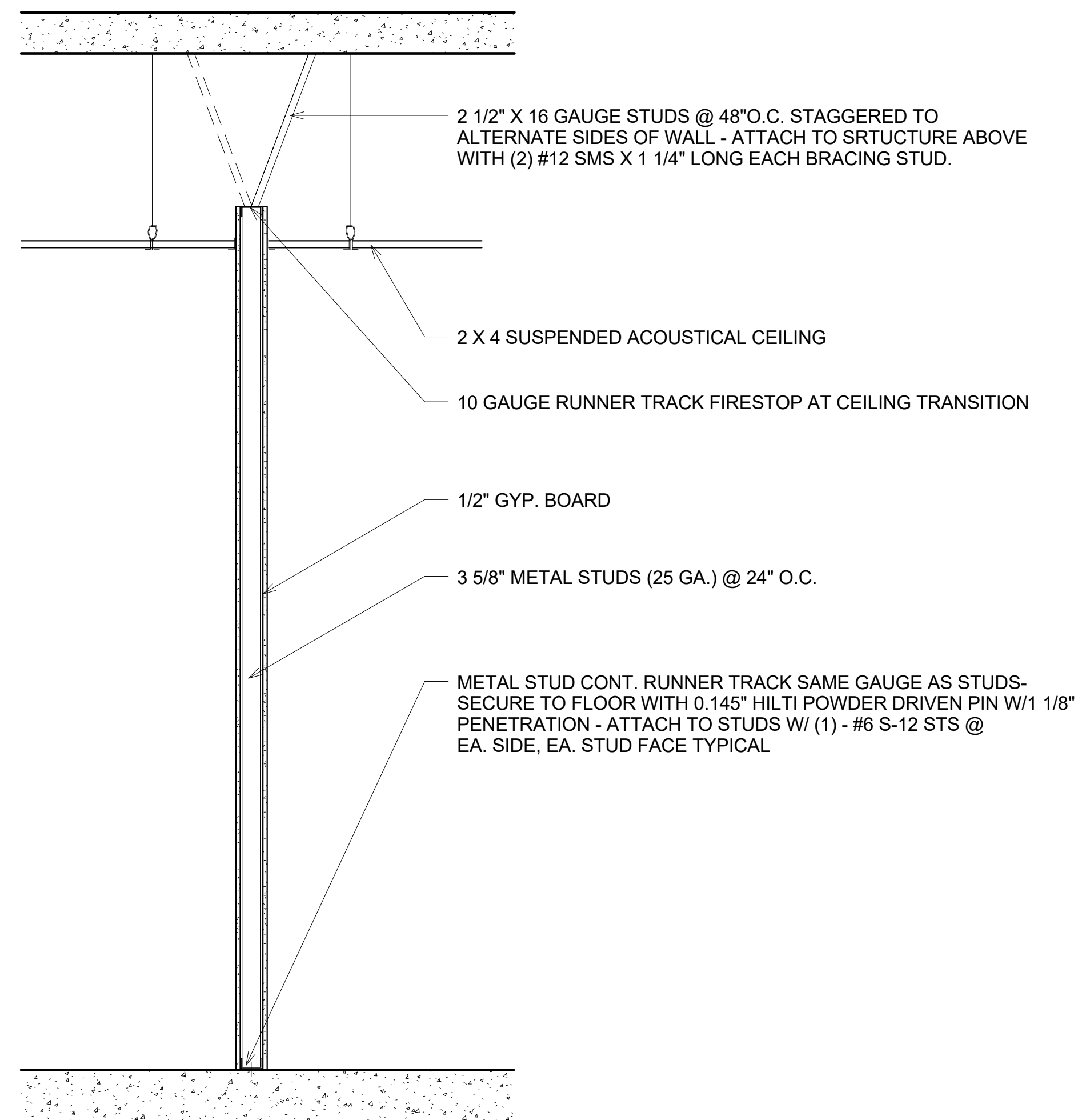
ADDENDA/REVISION		
No.	Date	Description

**SEAL:**

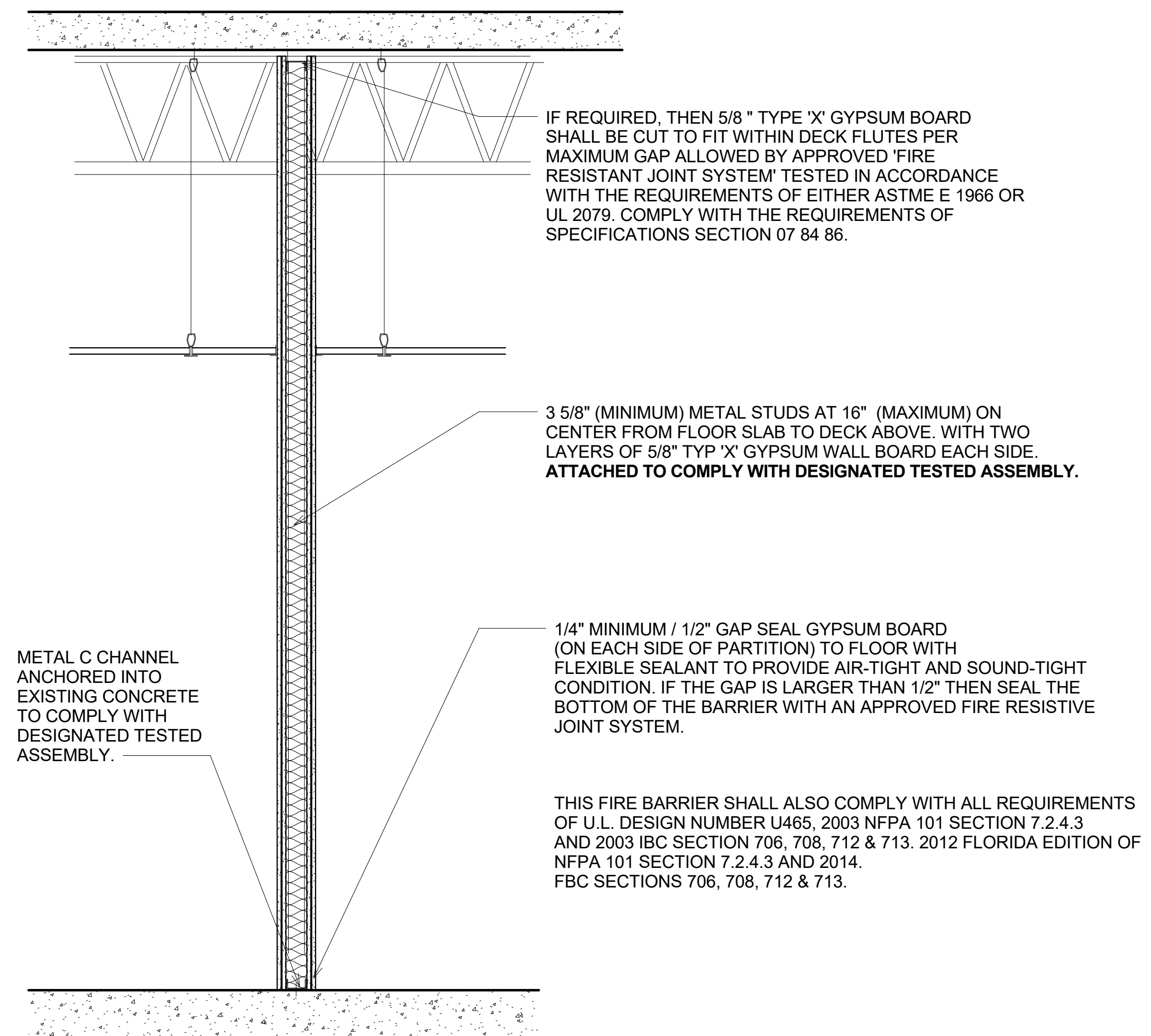
CYNTHIA C. SPRAY, AIA AR-94167

**DRAWING TITLE:**  
**CONSTRUCTION  
 DETAILS**

**DRAWING NO:**  
**A8.0**

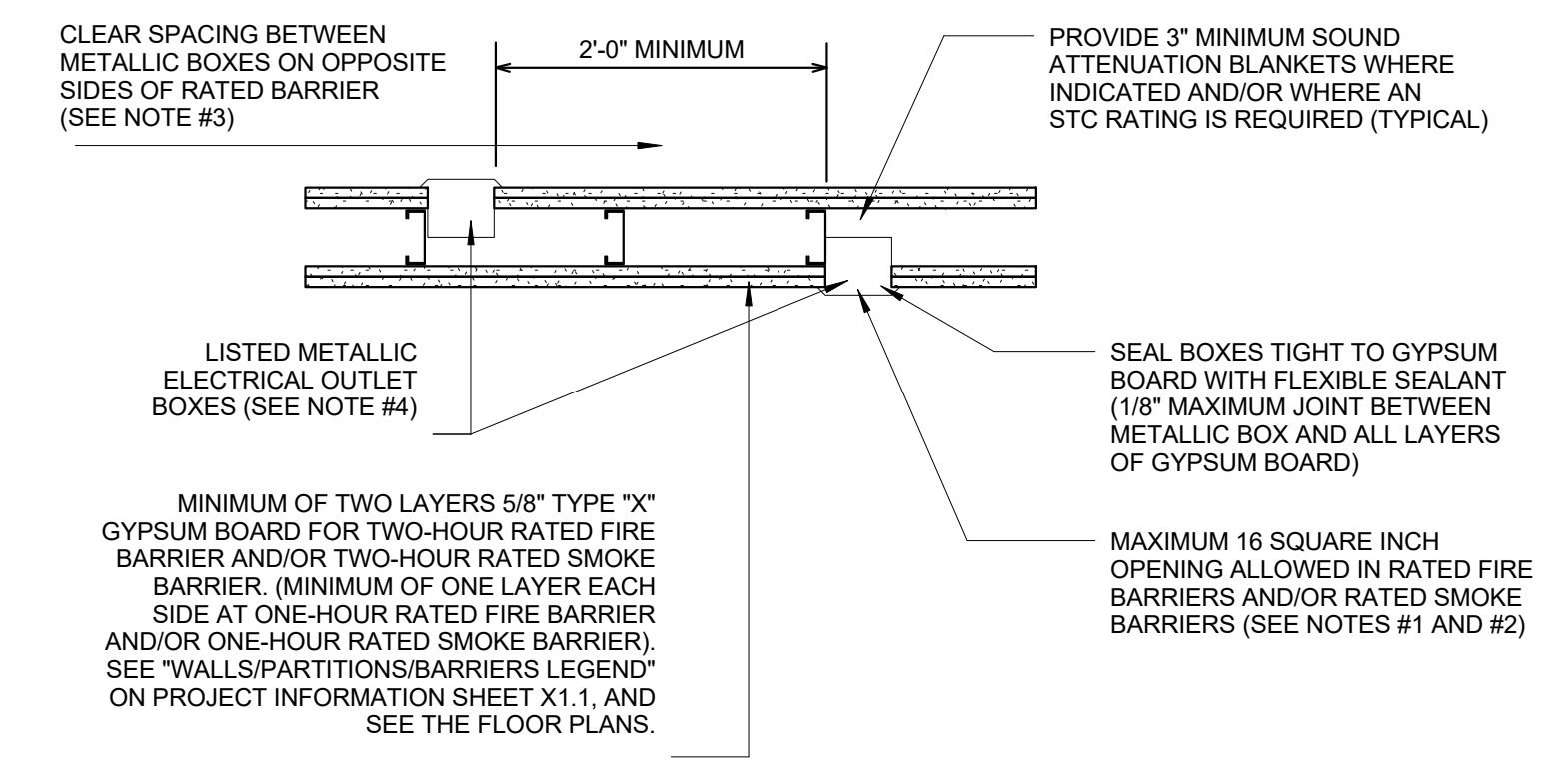


**1**  
**A8.0** WALL TYPE 'A' NONRATED INTERIOR PARTITION  
 3/4" = 1'-0"

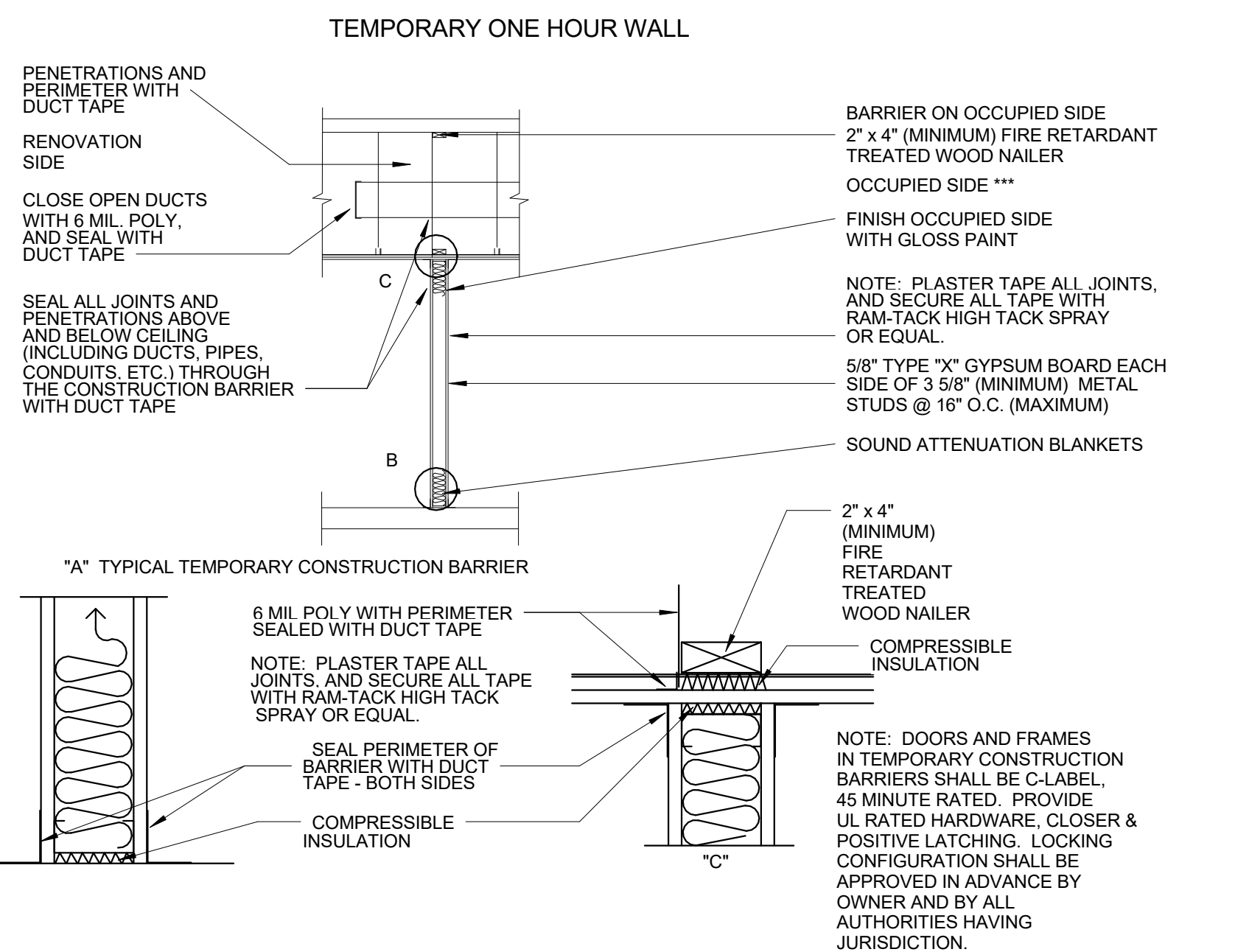


**3**  
**A8.0** WALL TYPE "C" ONE HOUR RATED FIRE BARRIER  
 3/4" = 1'-0"

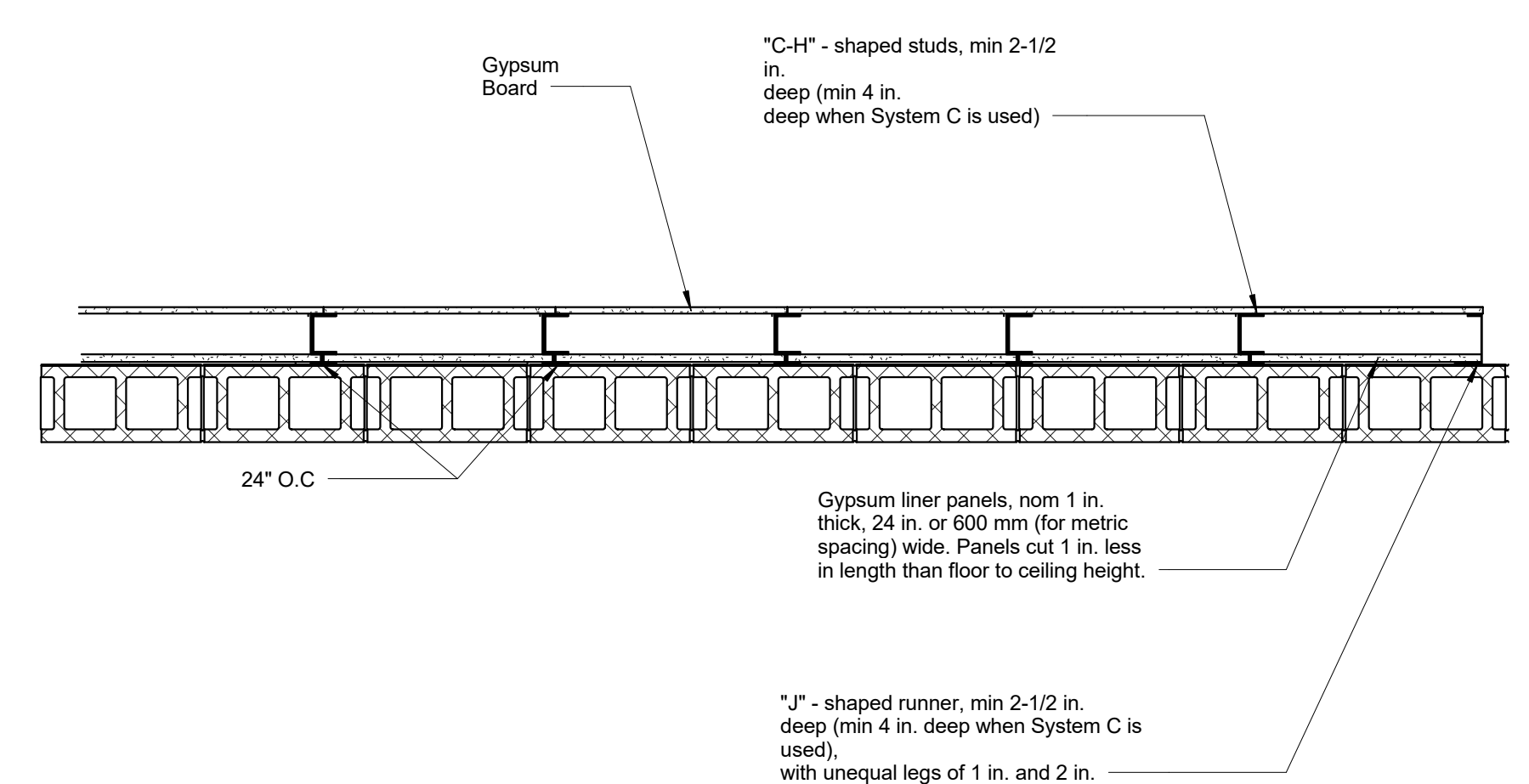
- NOTES:**
1. IN ALL RATED FIRE BARRIERS AND/OR RATED SMOKE BARRIERS, THE SURFACE AREA OF THE INDIVIDUAL RECESSED METALLIC ELECTRICAL OUTLET BOXES SHALL NOT EXCEED 16 SQUARE INCHES, AND THE AGGREGATE SURFACE AREA OF ALL RECESSED BOXES SHALL NOT EXCEED 100 SQUARE INCHES PER 100 SQUARE FEET OF WALL SURFACE. RECESSED BOXES WHICH EXCEED EITHER OF THESE STANDARDS SHALL BE RECESSED AS SHOWN IN "RECESSED METAL WALL CABINETS" DETAILS 6A/A8.2 AS APPLICABLE.
  2. COMPLY WITH ALL REQUIREMENTS OF: FBC SECTION 712.3.2, NFPA 101 SECTION 8.3.5.6.3 - CURRENT EDITION OF U.L. FIRE RESISTANCE DIRECTORY, VOLUME I, DESIGN INFORMATION SHEET, UNDER "VI. WALL AND PARTITION ASSEMBLIES", UNDER "6. METALLIC ELECTRICAL OUTLET BOXES"; AND GYPSUM ASSOCIATION GA-600 FIRE RESISTANCE DESIGN MANUAL, UNDER "GENERAL EXPLANATORY NOTES".
  3. METALLIC OUTLET BOXES LOCATED ON OPPOSITE SIDES OF RATED FIRE BARRIERS AND/OR RATED SMOKE BARRIERS SHALL BE IN SEPARATE STUD CAVITIES AND SHALL BE SEPARATED BY A MINIMUM HORIZONTAL DISTANCE OF 24 INCHES (REGARDLESS OF THE VERTICAL SEPARATION BETWEEN THE RECESSED METALLIC OUTLET BOXES); OR PROVIDE PUTTY PADS TO COMPLY WITH THE REQUIREMENTS OF FBC SECTION 712.3.2 EXCEPTION #2 AND NFPA 101 LIFE SAFETY CODE SECTION 8.3.5.6.
  4. THIS DETAIL APPLIES TO METALLIC ELECTRICAL OUTLET BOXES USED FOR FIRE ALARM DEVICES, ELECTRICAL SWITCHES, ELECTRICAL RECEPTACLES, BACK BOXES, JUNCTION BOXES, COMMUNICATION DEVICES, SECURITY DEVICES, THERMOSTATS, SENSORS, FIRE ALARM DEVICES, ETC. COMPLY WITH ALL REQUIREMENTS OF NFPA 101 LIFE SAFETY CODE SECTION 8.3.5.6.
  5. NOTE: METALLIC ELECTRICAL OUTLET BOXES CANNOT BE RECESSED INTO ANY WALL OR BARRIER WITH A RATING GREATER THAN TWO-HOURS.



**4**  
**A8.0** METALLIC ELECTRICAL OUTLET BOXES RECESSED IN RATED FIRE BARRIERS AND/OR RATED SMOKE BARRIERS  
 12" = 1'-0"



**5**  
**A8.0** WALL TYPE- TEMPORARY ONE-HOUR FIRE BARRIER  
 12" = 1'-0"



**2**  
**A8.0** WALL TYPE "1S" ONE HOUR SHAFT WALL  
 3/4" = 1'-0"