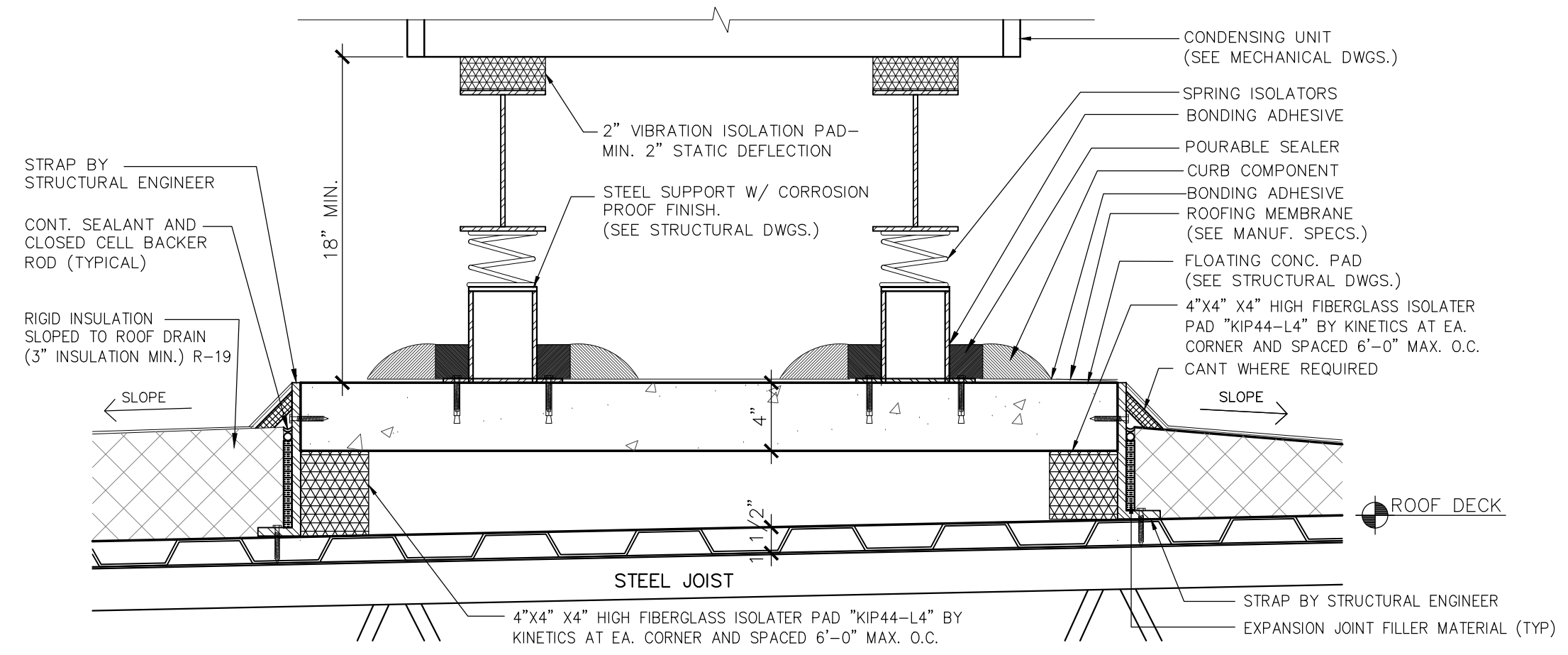
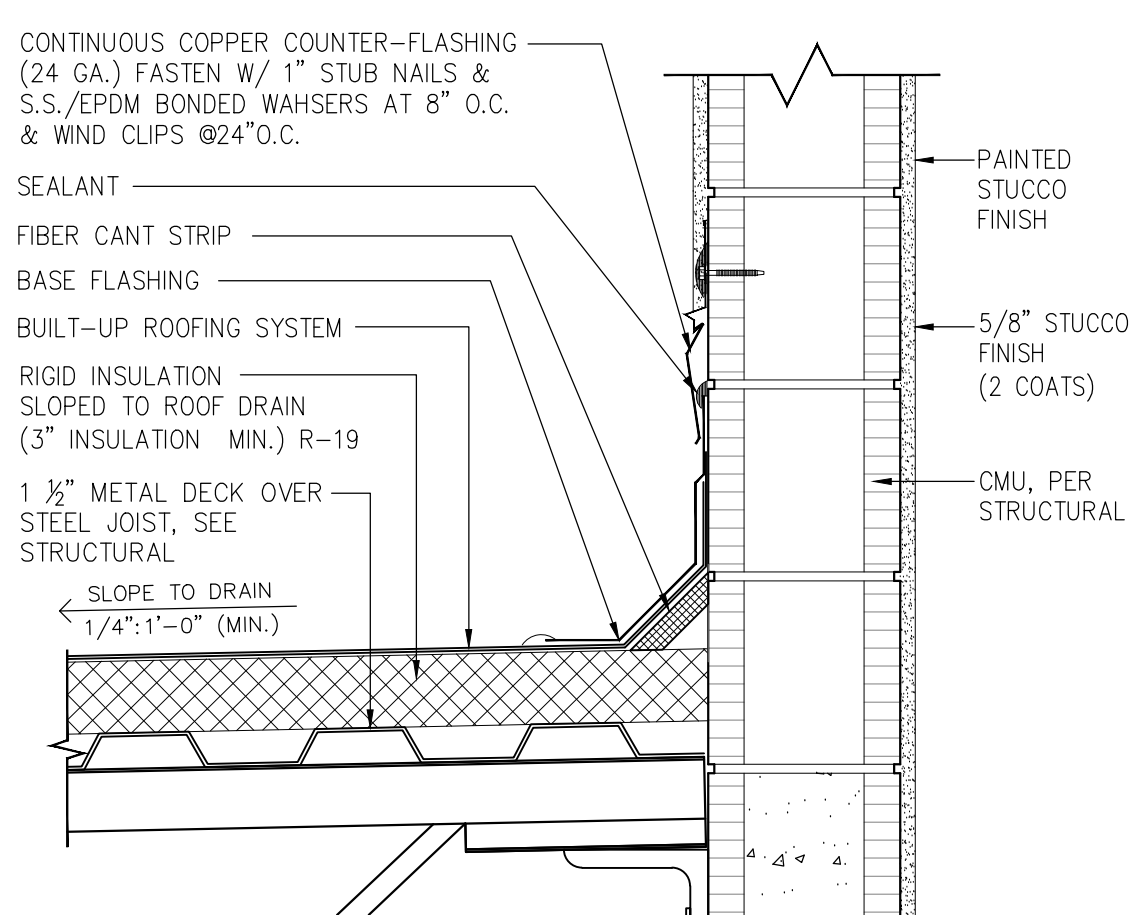


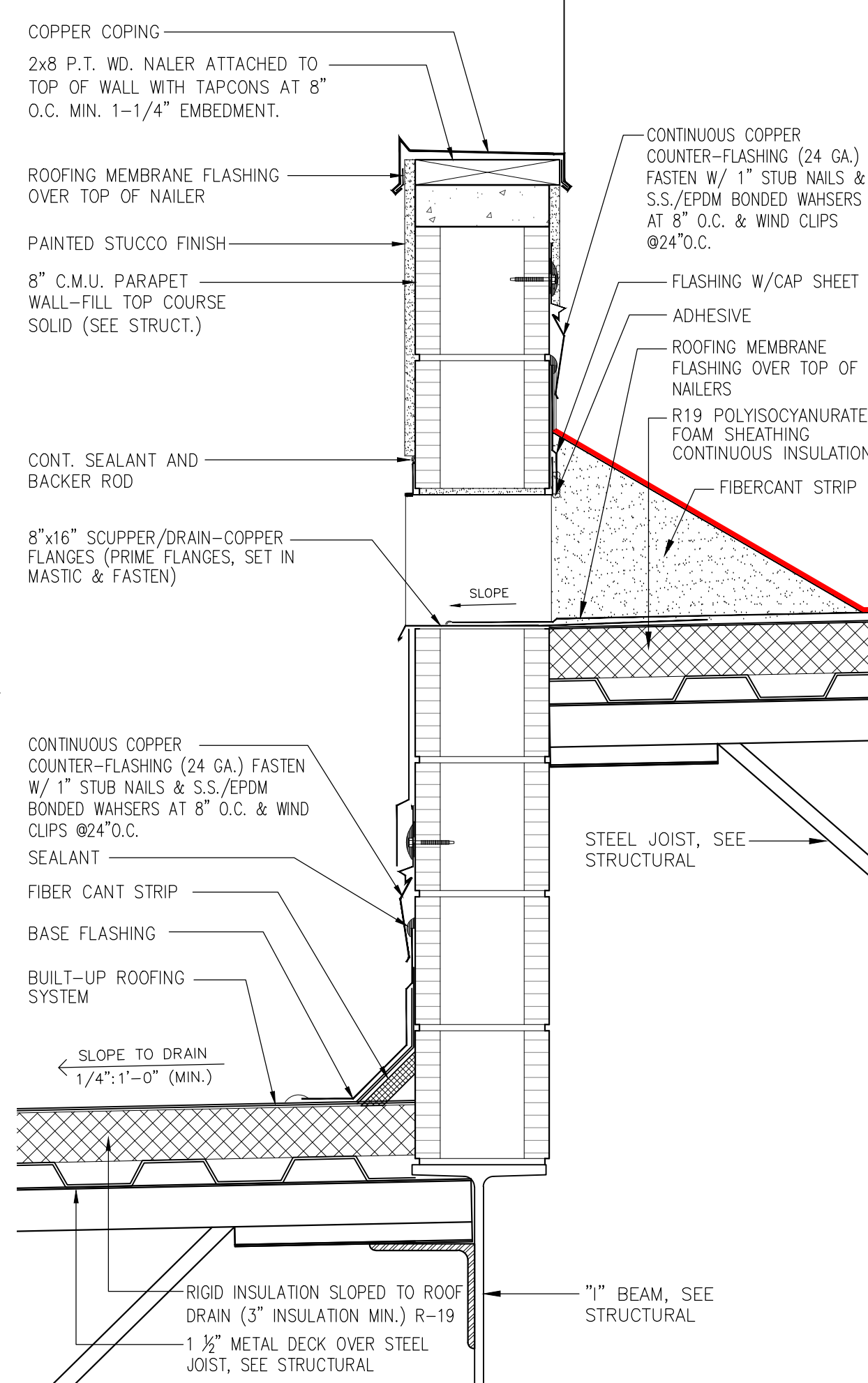
REVISIONS	
1.	
2.	
3.	
4.	
5.	
6.	
7.	
8.	
9.	
10.	



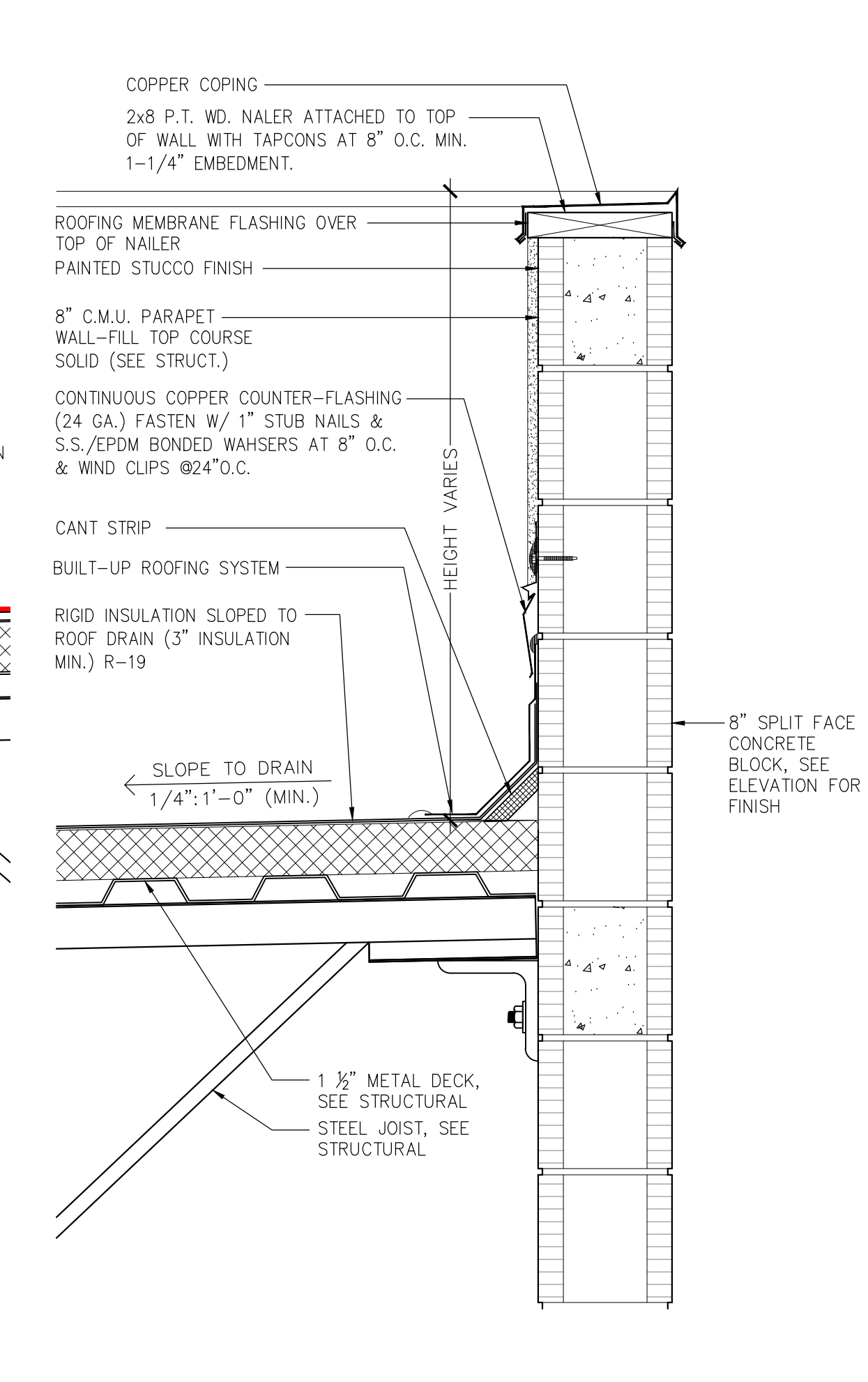
1
A7.1
CONDENSER PAD DETAIL
SCALE: 1 1/2" = 1'-0"



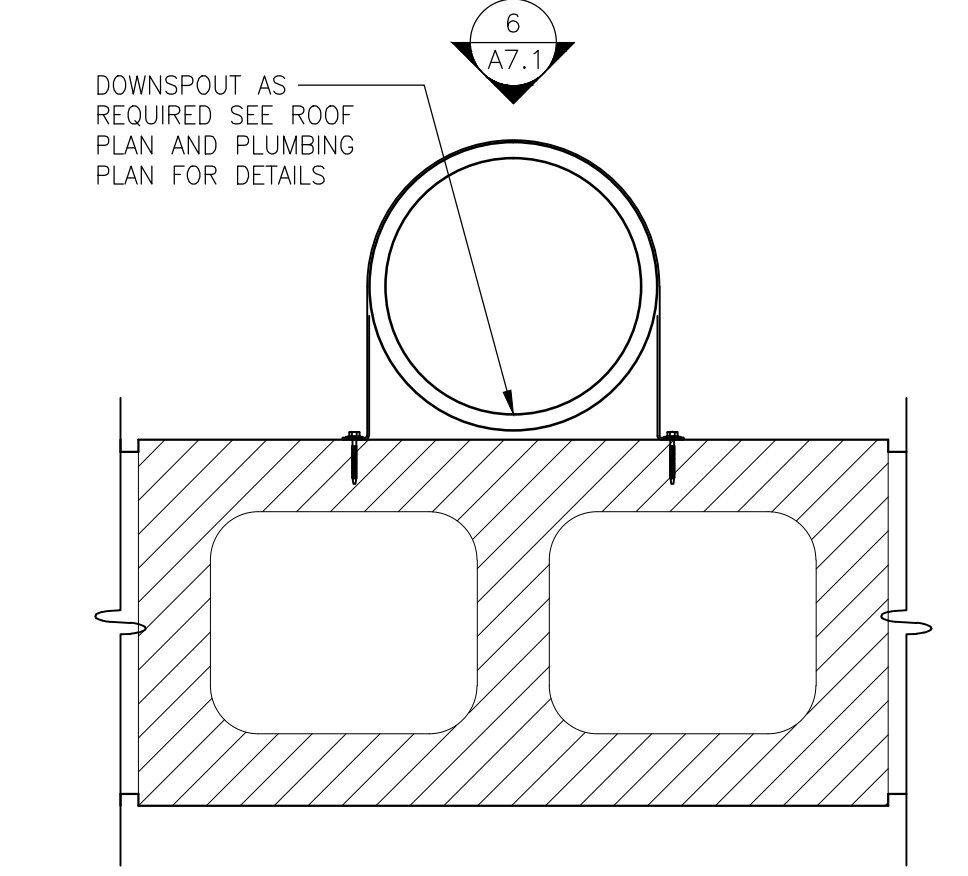
2
A7.1
ROOF TO WALL FLASHING DTL
SCALE: 1 1/2" = 1'-0"



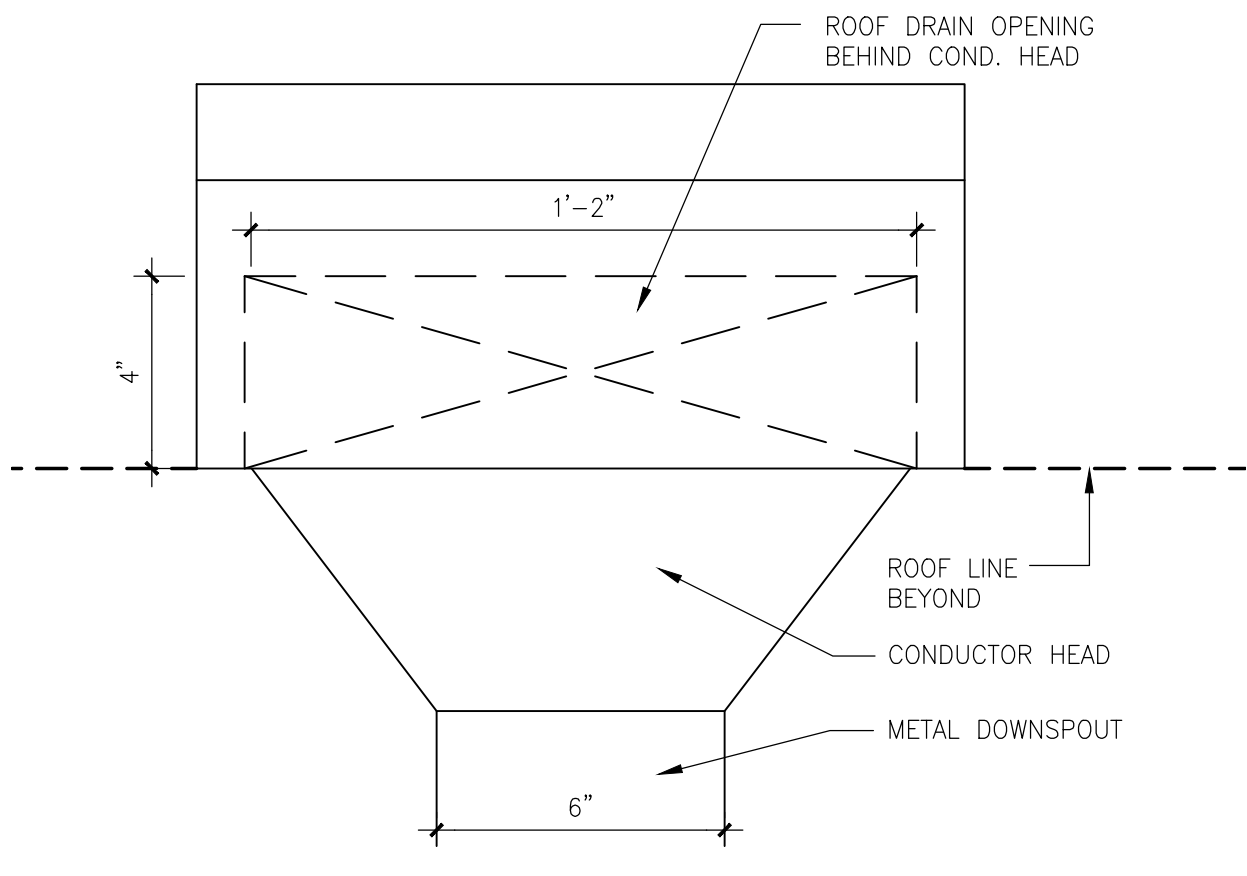
3
A7.1
PARAPET SCUPPER/DRAIN DTL
SCALE: 1 1/2" = 1'-0"



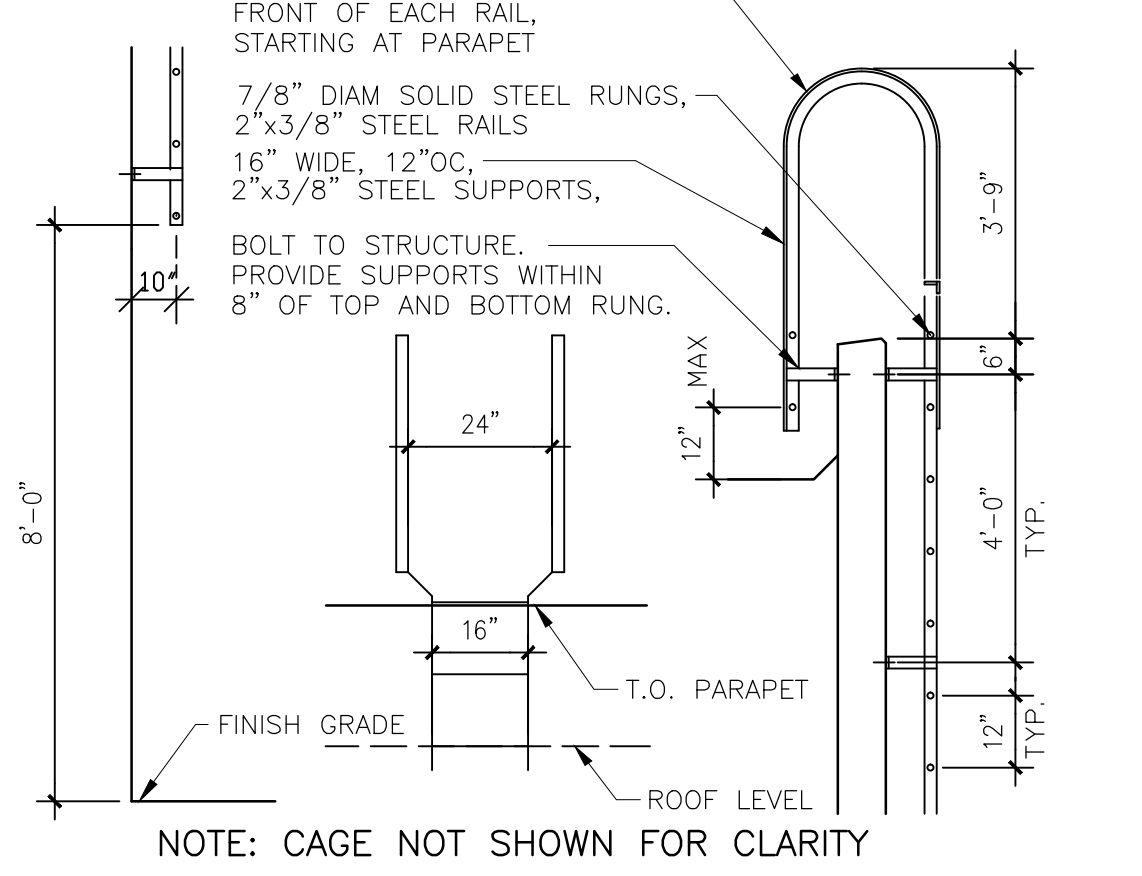
4
A7.1
PARAPET DETAIL
SCALE: 1 1/2" = 1'-0"



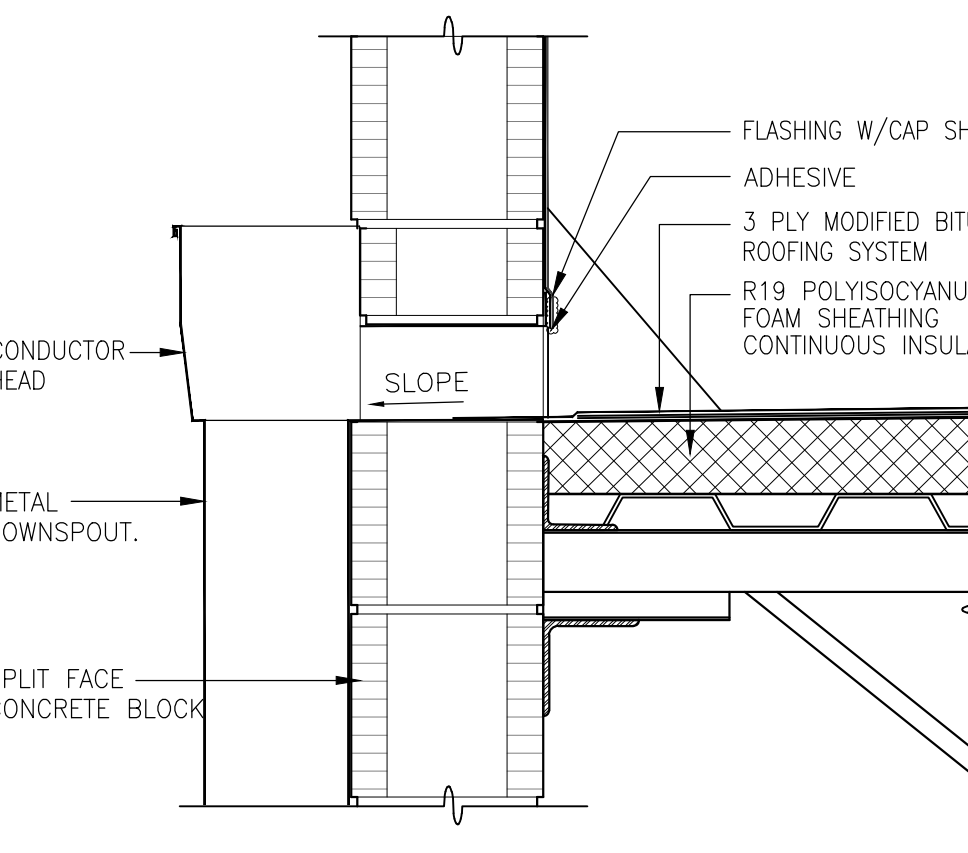
5
A7.1
DOWNSPOUT DETAIL
SCALE: 3" = 1'-0"



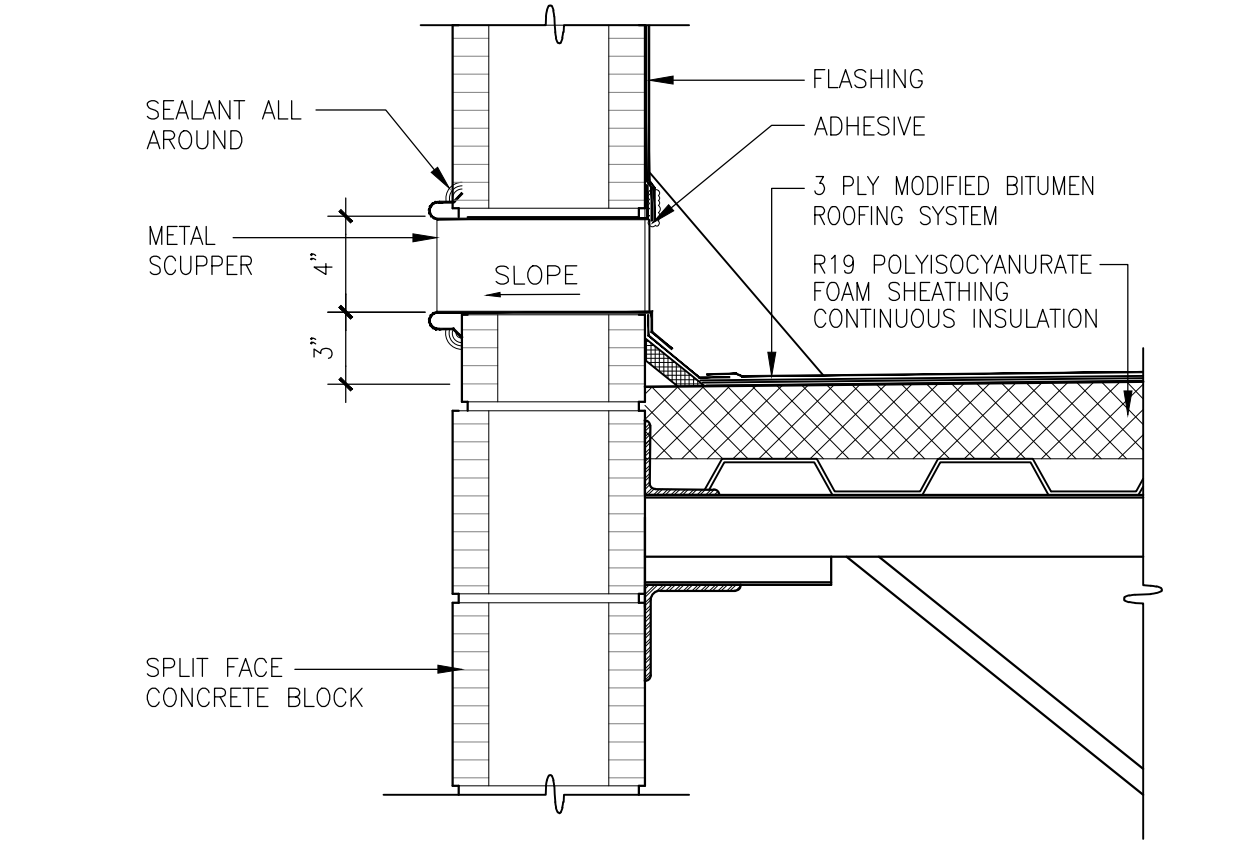
6
A7.1
CONDUCTOR HEAD DETAIL
SCALE: 3" = 1'-0"



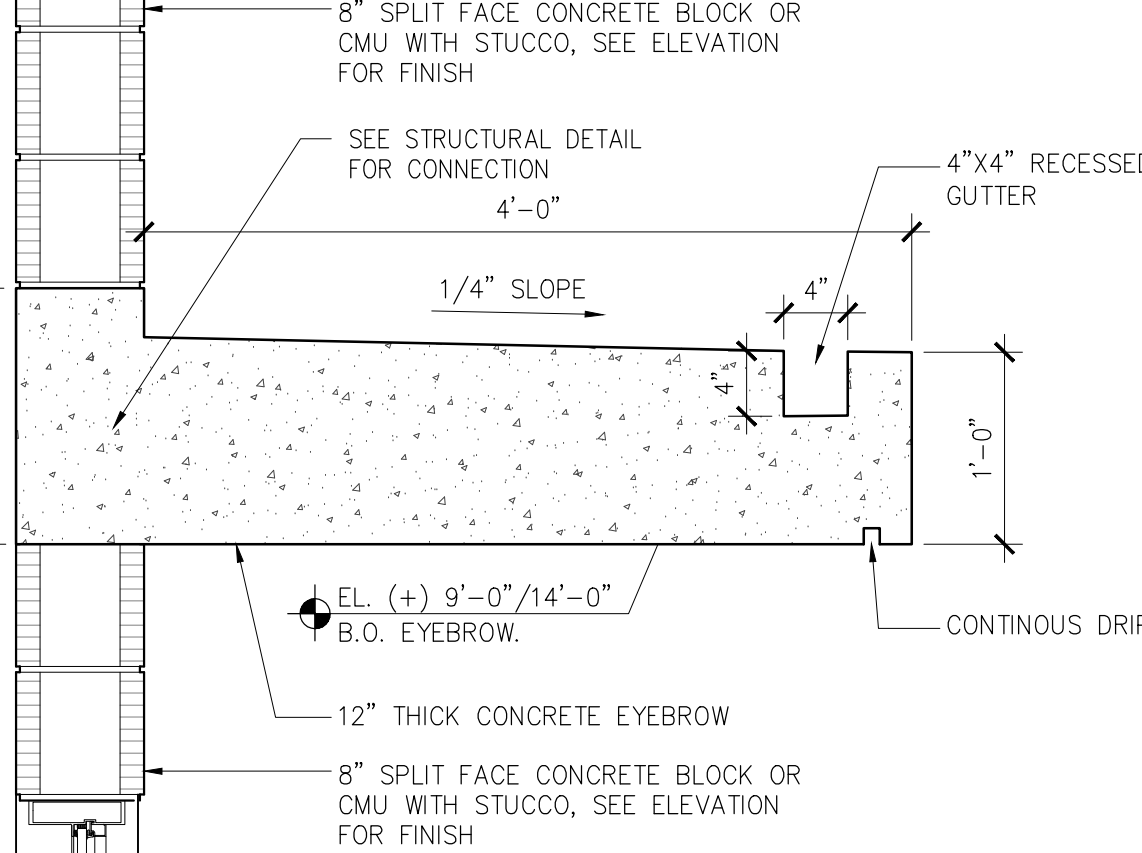
7
A7.1
ROOF ACCESS LADDER
SCALE: 3/8" = 1'-0"



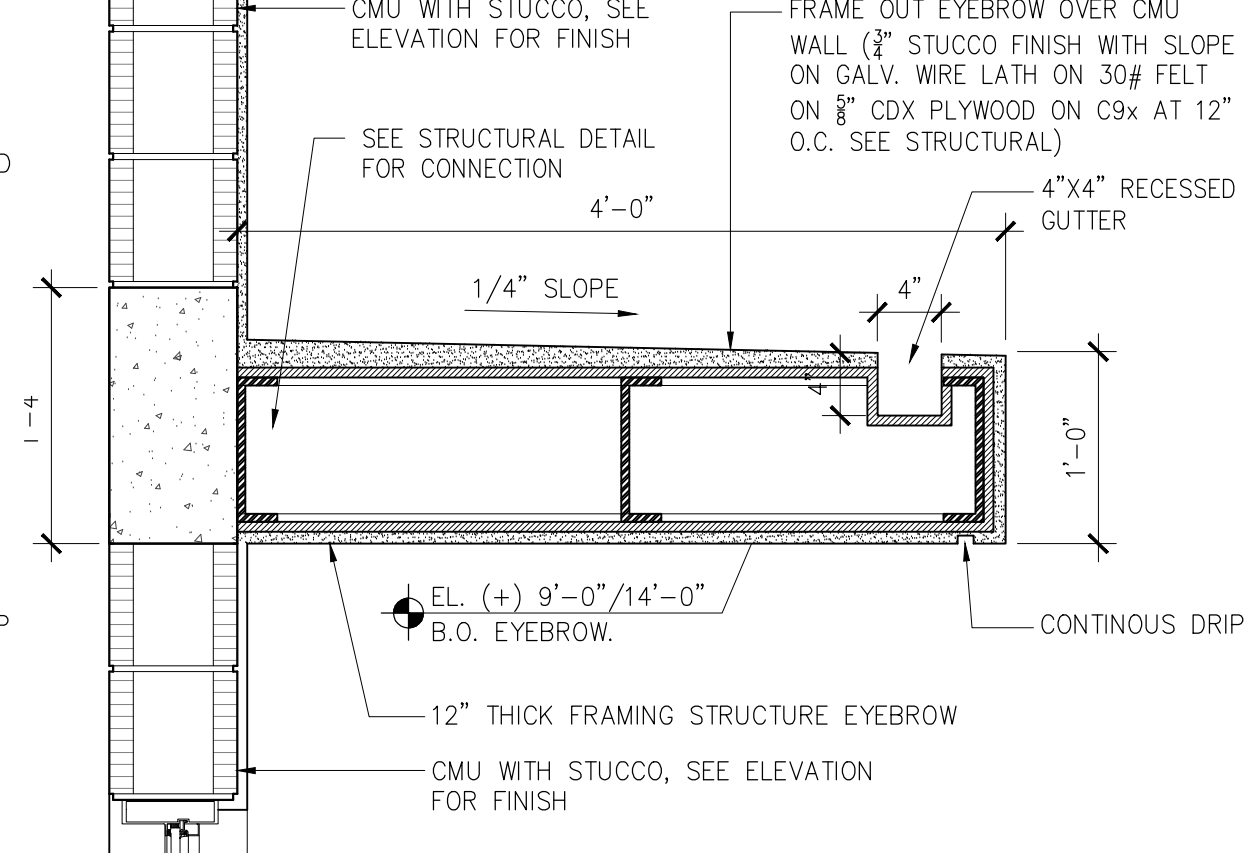
8
A7.1
CONDUCTOR HEAD DETAIL
SCALE: 1 1/2" = 1'-0"



9
A7.1
EMERGENCY OVERFLOW SCUPPER DTL
SCALE: 1 1/2" = 1'-0"



10
A7.1
CONCRETE EYEBROW DTL
SCALE: 1" = 1'-0"



11
A7.1
FRAMING STRUCTURE EYEBROW DTL
SCALE: 1" = 1'-0"

LIFE FELLOWSHIP
11401 WEST SAMPLE ROAD
CORAL SPRINGS, FL. 33065

1600 SOUTH DIXIE HWY., SUITE 400
BOCA RATON, FLORIDA 33432
PHONE 561-391-0081 FAX 561-391-0085
EMAIL mail@rwb-arch.com

RWB
Linare
ARCHITECTURE

PROJECT # 14-067
DATE 05-19-16
SHEET #

A7.1

JUAN C. LINARES

AA26000640