

LIGHTING LEGEND

SYMBOL	DESCRIPTION
	2'x4' PARABOLIC FLUORESCENT LIGHT FIXTURE 120V, 60Hz, 3x F32T8 LAMPS, MAX 85W INPUT TO BE SELECTED BY OWNER/ARCHITECT
	EMERGENCY LIGHT W/ BATTERY BACKUP FOR 90MIN. 2'x4' PARABOLIC FLUORESCENT LIGHT FIXTURE 120V, 60Hz, 3x F32T8 LAMPS, MAX 85W INPUT TO BE SELECTED BY OWNER/ARCHITECT
	2'x2' PARABOLIC FLUORESCENT LIGHT FIXTURE 120V, 60Hz, 2x F17T8 LAMPS, MAX 32W INPUT TO BE SELECTED BY OWNER/ARCHITECT
	LOW/MED BAY LED PENDANT LIGHT FIXTURE 120V, 60Hz, MAX 170W INPUT TO BE SELECTED BY OWNER/ARCHITECT
	EXIT SIGN WITH BATTERY BACK UP FOR 90 MIN. HATCH AREA INDICATES FACE OF SIGN. ARROW INDICATES EXIT DIRECTION
	EMER. LIGHTING FIXTURE WITH BATTERY BACK-UP AND WITH SELF DIAGNOSTICS. (+12" ABOVE DOOR FRAME, U.N.D.)
	DUAL LITE LZ 250 1 10W, 137LUMEN
	COMBINATION EMERGENCY LIGHT / EXIT SIGN WITH BATTERY BACK-UP FOR 90 MIN. AND WITH SELF DIAGNOSTICS. LITHONIA MDL# LHQM-S-R-N OR APPROVED EQUAL
	LIGHT SWITCH (+48" A.F.F. TO TOP, U.N.D.)
	3 WAY LIGHT SWITCH (+48" A.F.F. TO TOP, U.N.D.)
	1 POLE SWITCH, 20A, HP RATED
	2 POLE SWITCH, 30A, HP RATED
	DIMMER SWITCH (+48" A.F.F. TO TOP, U.N.D.)
	TIME SWITCH INTERMATIC T 101, 120V, 40A, SPST, OR EQUAL
	PIR OCCUPANCY/VACANCY SENSOR WALL SWITCH EATON, MDL# OSW-P-120/277V OR APPROVED EQUAL (+48" A.F.F. TO TOP, U.N.D.) "3" INDICATES 3-WAY SWITCH
	DIGITAL PROGRAMMABLE TIME SWITCH WALL MOUNTED INTERMATIC, MDL# ST01, 120/277V OR APPROVED EQUAL "3" INDICATES 3-WAY SWITCH (+48" A.F.F. TO TOP, U.N.D.)
	EXHAUST FAN (SEE MECHANICAL PLANS FOR SPECS)

POWER LEGEND

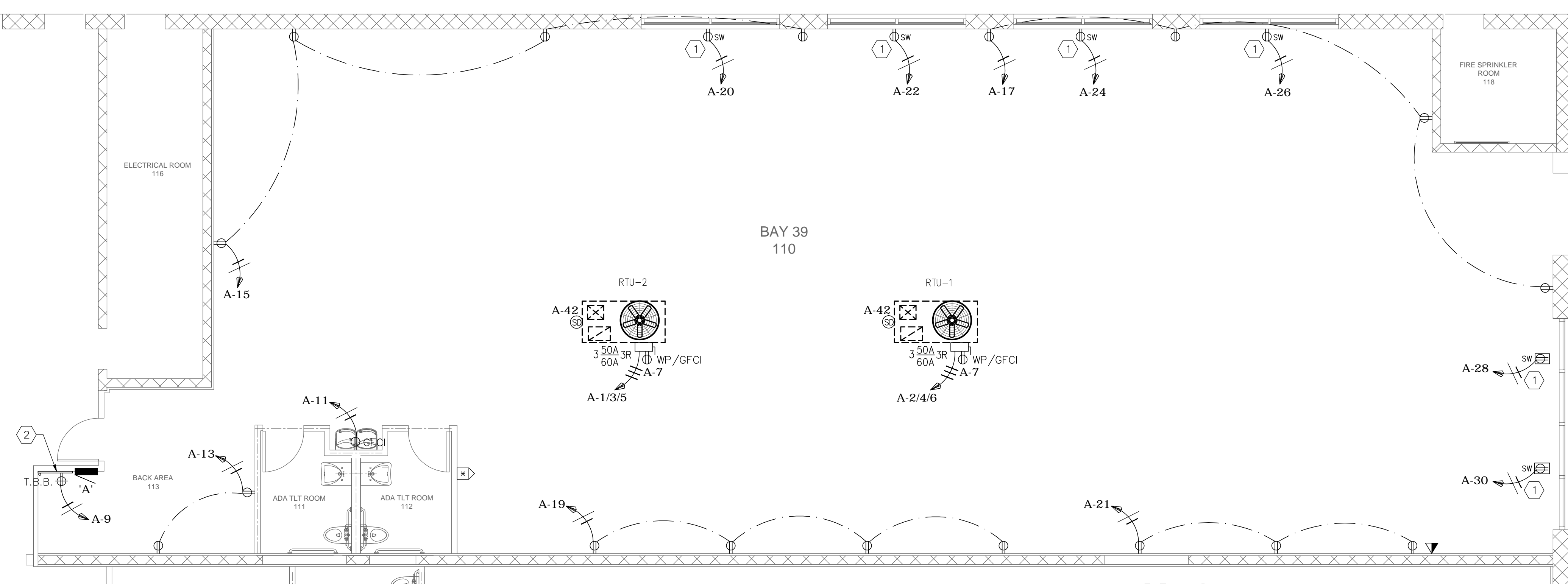
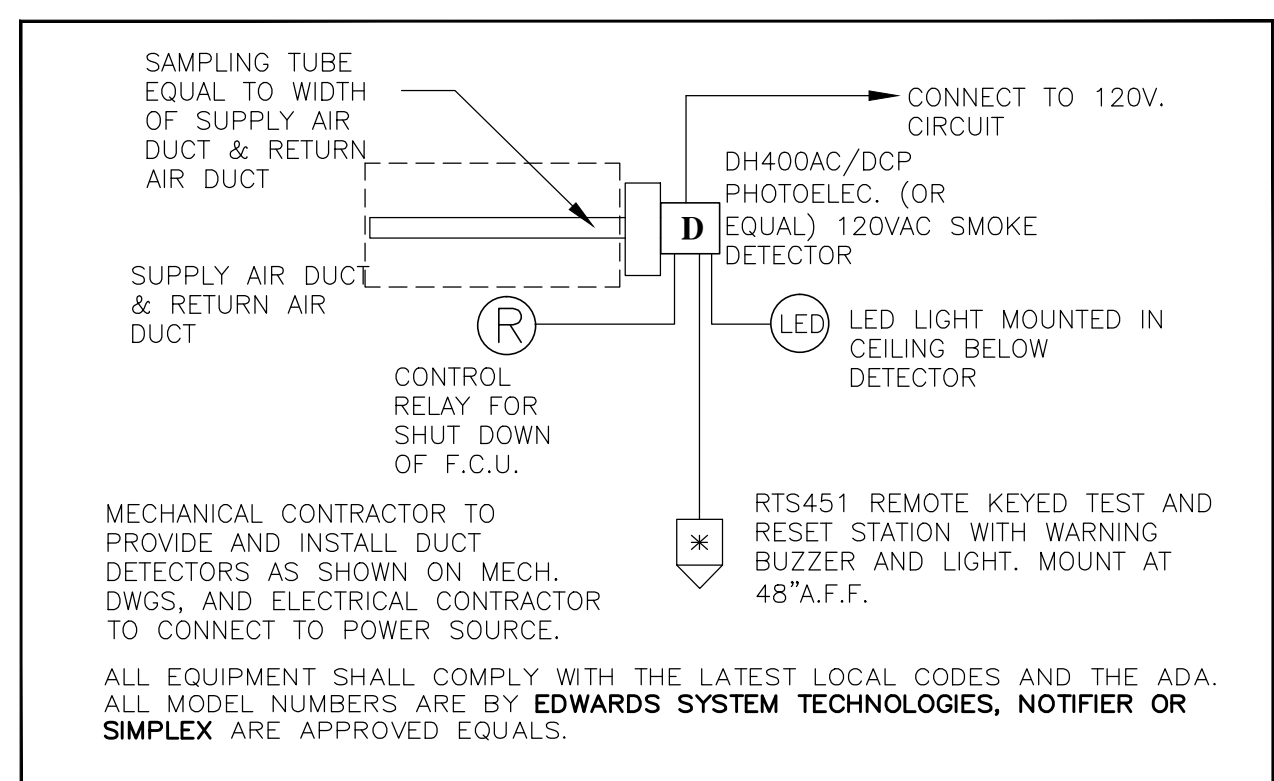
SYMBOL	DESCRIPTION
	SIMPLEX OUTLET (20A, +48" O.C. FROM A.F.F, U.N.D)
	DUPLEX RECEPT. (15A, +18" O.C. FROM A.F.F, U.N.D)
	DUPLEX RECEPTACLE INSTALLED ABOVE COUNTER (20A, +6" O.C., ABOVE COUNTER, U.N.D)
	FLOOR MTD. DUPLEX RECEPTACLE (20A, U.N.D)
	SWITCH DUPLEX (15A, +18" O.C. FROM A.F.F, U.N.D)
	CEILING MTD. DUPLEX W/ PHONE/DATA (20A, U.N.D) IN SEPARATE RACEWAYS
	SPECIAL PURPOSE RECEPT. (30A, +18" O.C. A.F.F, U.N.D)
	JUNCTION BOX (4X4" GALVANIZED STEEL, 18", U.N.D)
	DATA/TELEPHONE OUTLET (+18" O.C. A.F.F, U.N.D) HATCH AREA INDICATES PHONE PROVIDE 3/4" EMT W/ PULL STRING HOMERUN TO TTB FOR EACH DEVICE (SINGLE OR COMBO) FACE PLATES, JACKS AND CABLING TO BE BY TENANT
	SMOKE DETECTOR
	REMOTE SMOKE DUCT DETECTOR (+72" A.F.F. U.N.D) TEST, RESET, & ANNUNCIATE FOR: POWER, ALARM, & TRBL.
	TV, CABLE BOX, SATELLITE BOX CONNECTION OUTLET
	HP RATED DISCONNECT (+60" O.C. A.F.F, U.N.D) NEMA 3R FOR EXTERIOR AND NEMA 1 FOR INTERIOR.
	PANELBOARD (+60" A.F.F O.C OF PNL, U.N.D)
	ELECTRICAL METER (+60" A.F.F O.C OF MTR, U.N.D)
	PHASE INDICATES CIRCUIT LINE NEUTRAL INDICATES HOMERUN LINE ISOLATED GND. INDICATES CIRCUIT NUMBER
	FUSE SIZE (NEMA RATING) WIRE IN FREE AIR SUPPORTED TO BLDG. STRUCTURE FRAME SIZE NUMBER OF POLES

LEGEND NOTES

- NOT ALL SYMBOLS MAY APPEAR ON PLANS.
- IF THERE IS NO DESIGNATION NEXT TO FIXTURE, THEN ASSUME IT IS A NEW FIXTURE. IF NOT EXISTING, LOCATE IT AS SHOWN ON PLANS.
- PROVIDE A DISCONNECTING MEANS FOR ALL DOUBLE ENDED FLUORESCENT LAMPS WITH BALLAST AS PER NEC 2011 410.73(G).

DESIGNATION / DESCRIPTION

SYMBOL	DESCRIPTION
+84"	DENOTES HEIGHT ABOVE FINISHED FLOOR
AFO	ARC FAULT CIRCUIT INTERRUPT
GFO	GROUND FAULT CIRCUIT INTERRUPT
WP	WEATHER PROOF ENCLOSURE
IG	ISOLATED GROUND
N	NEW FIXTURE
R	RELOCATED FIXTURE
E	INDICATES AN EXISTING FIXTURE TO REMAIN
T/L	TWIST LOCK
UND	UNLESS NOTED DIFFERENTLY
N/L	NIGHT LIGHT
T/S	TIME SWITCH
PC	PHOTO CELL
LC	LIGHTING CONTACTOR
MWC	MINIMUM WORK CLEARANCE
OC	OVER CURRENT PROTECTION
OC	ON CENTER
EN	EXISTING LOCATION WITH NEW DEVICE
SW	SHOW WINDOW (OUTLET)



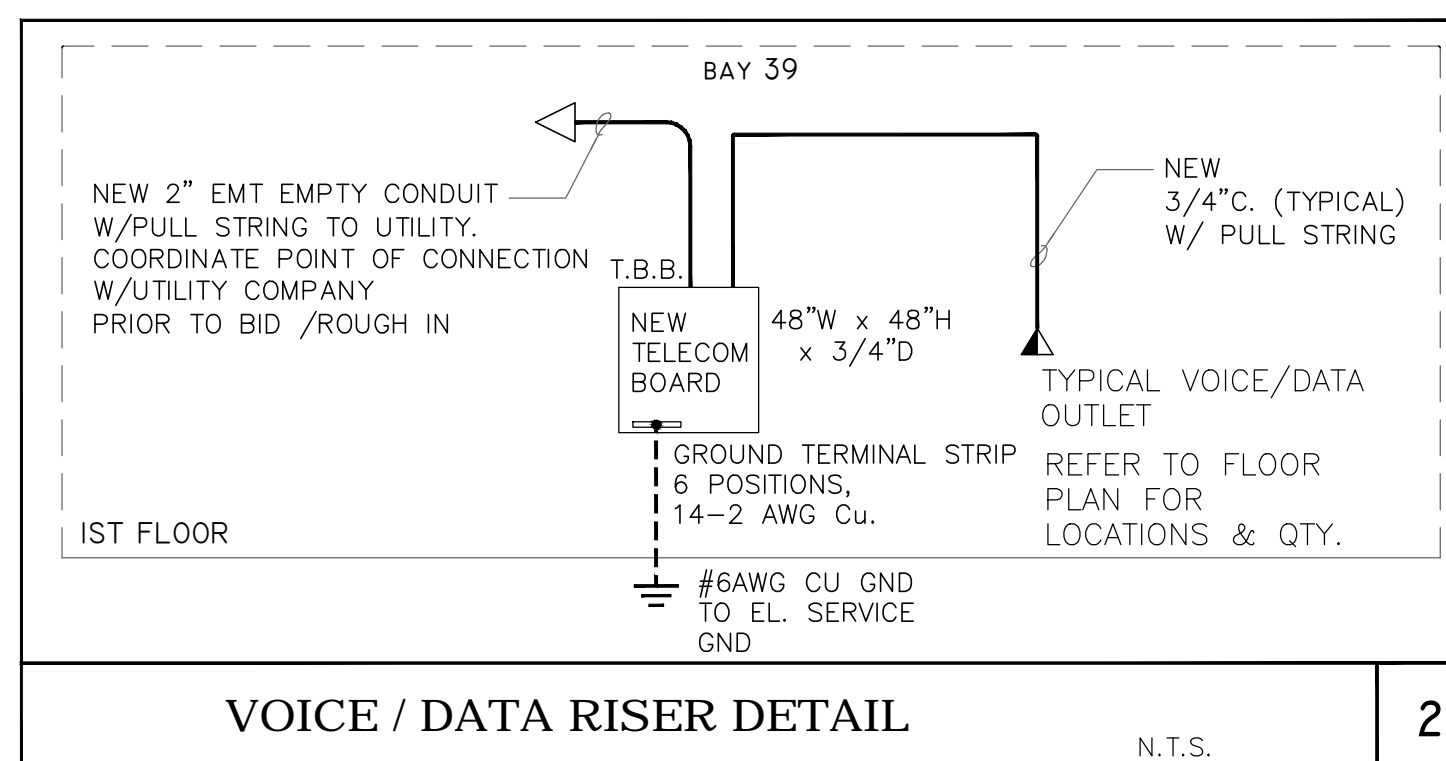
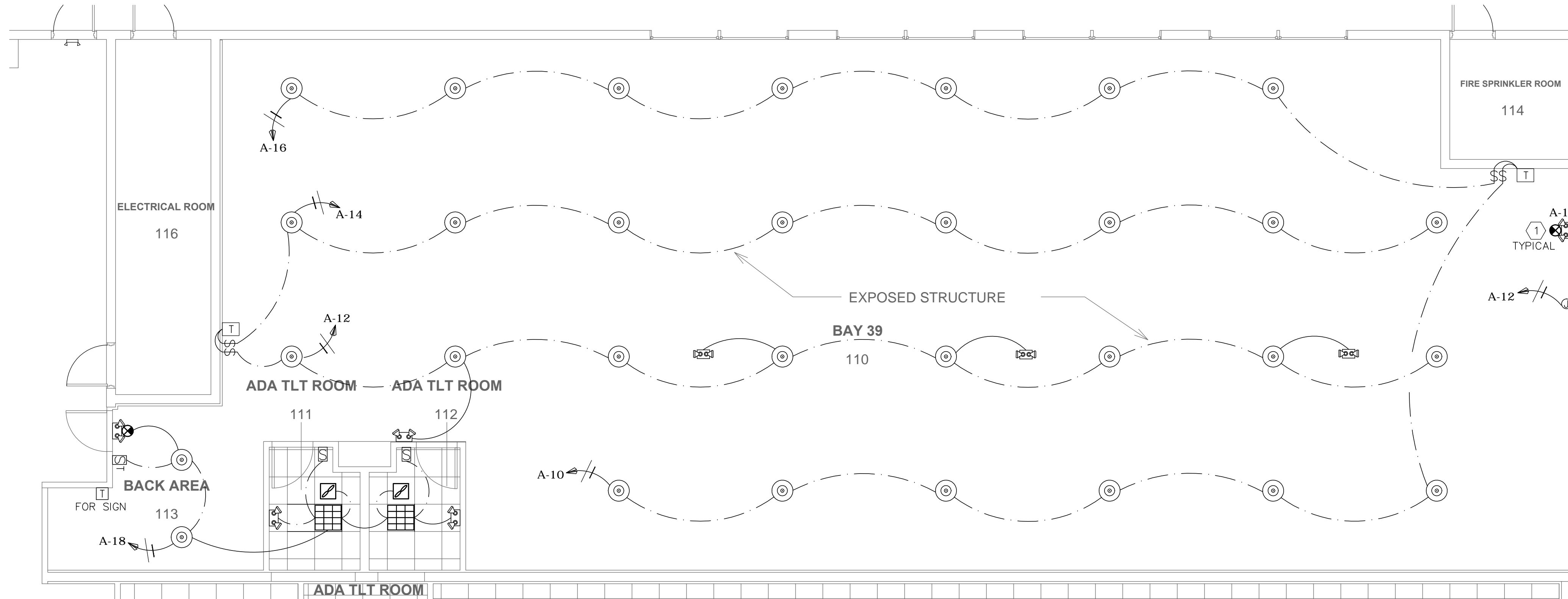
LIGHTING LEVELS PER FBC 2014 Energy Conservation Chapter 4

BUILDING AREA METHOD

BUILDING AREA TYPE	AREA [sq. ft.]	MAX. LPD [VA/sq. ft.]	MAX LP [VA]	LP PROVIDED [VA]	LPD PROVIDED [VA/sq. ft.]
BAY 39 (RETAIL)	3850	1.4	5390	5270	1.4

LP - LIGHTING POWER
LPD - LIGHTING POWER DENSITY
LP BASED ON NON-SIMULTANEOUS USER OPERATION, HIGHEST WATTAGE

- NOTES:**
- SHOW WINDOWS RECEPTACLE. COORDINATE EXACT LOCATION (ABOVE WINDOWS OR CEILING MOUNTED) WITH ARCHITECT / OWNER PRIOR TO ROUGH IN.
 - PROPOSED LOCATION FOR TELECOM BOARD. PROVIDE #6AWG CU GND TO MAIN GROUNDING SYSTEM.
 - TELEPHONE/DATA/CATV NOTE:
- AN EMPTY CONDUIT SYSTEM IS PROVIDED TO SERVE FUTURE TENANT SPACES. TENANT SHALL BE RESPONSIBLE AS PART OF THEIR TENANT SPACE FINISH IMPROVEMENT DWGS TO BE SUBMITTED UNDER A SEPARATE PERMIT TO PULL TELEPHONE, DATA AND CABLE TV SERVICE CABLES TO THEIR SPACE/EQUIPMENT FROM THE GROUND FLOOR MAIN TELEPHONE ROOM AS REQUIRED.



NOTES TO CONTRACTOR

- REFER TO ARCHITECTURAL REFLECTED CEILING PLAN DRAWINGS FOR ACTUAL LOCATIONS OF ALL CEILING LIGHTS AND DEVICES.
- ELECTRICAL DRAWINGS SHALL NOT BE USED TO LOCATE FIXTURES.
- COORDINATE WITH ARCHITECT/CLIENT TYPE AND COLOR OF SWITCH/RECEPTACLE PLATES
- REFER TO ARCHITECT FOR ALL FINAL LOCATIONS/DEVICES PRIOR TO BID/ROUGH IN.

AMERICAN UNITED Engineers Inc.
Dedicated to Excellence

AUE

4508 SW 24th Street
Fort Lauderdale, FL 33317
Tel: (954) 471-8657
americaneng@comcast.net

PROJECT NO. 1623.00

CCS

ARCHITECTURAL ENTERPRISES, INC.
499 East Palmetto Park Rd.
Suite 204
Boca Raton, FL 33432
T 561.479.9884
www.ccsarch.com
Florida Registration Number
AA26001852

CONSULTANTS:

STRUCTURAL ENGINEERING:
STRUCTURES INTERNATIONAL, INC.
7501 Wiles Rd.
Coral Springs, FL 33067
(954) 227-1512

ELECTRICAL, MECHANICAL, PLUMBING:
AMERICAN UNITED ENGINEERS
4508 SW 24TH STREET
FORT LAUDERDALE, FL 33317
PHONE: (954) 471-8657

PROJECT:

BAY 39
WESTGATE SHOPPING CENTER
100 N STATE ROAD 7
LAUDERDALE LAKES, FL 33317
INTERIOR IMPROVEMENTS

FINAL CONTRACT DOCUMENTS

PROJECT NUMBER: 2016.00-4
DATE: 06-06-2016
CAD FILE NO:

ADDENDA/REVISIONS

NO.	DATE	DESCRIPTION

SEAL:

CYNTHIA C. SPRAY, AIA AR-94167

DRAWING TITLE:
ELECTRICAL PLAN

DRAWING NO: E-1