

CCS

ARCHITECTURAL ENTERPRISES, INC.
499 East Palmetto Park Rd.
Suite 204
Boca Raton, FL 33432
T 561.479.9884
www.ccsarch.com
Florida Registration Number
AA26001852

CONSULTANTS:

STRUCTURAL ENGINEERING:

STRUCTURES INTERNATIONAL, INC.
7501 Wiles Rd.
Coral Springs, FL 33067
(954) 227-1512

ELECTRICAL, MECHANICAL,
PLUMBING:

AMERICAN UNITED ENGINEERS
4508 SW 24TH STREET
FORT LAUDERDALE, FL 33317
PHONE: (954) 471-8657

PROJECT:

BAY 39
WESTGATE SHOPPING CENTER
100 N STATE ROAD 7
LAUDERDALE LAKES, FL 33317

INTERIOR IMPROVEMENTS

FINAL CONTRACT DOCUMENTS

PROJECT NUMBER: 2016.00-4
DATE: 06-06-2016
CAD FILE NO:

ADDENDA/REVISIONS

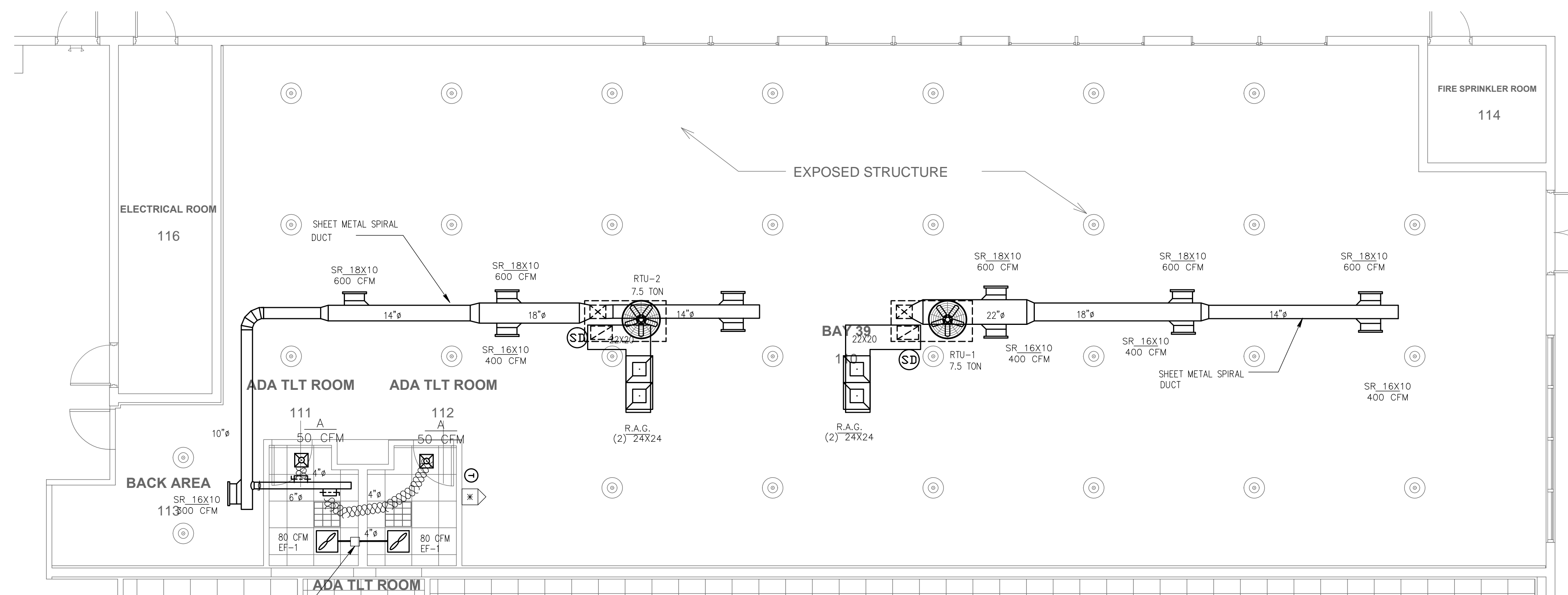
△	
△	
△	
△	
△	
△	
△	
△	
△	
△	

SEAL:

CYNTHIA C. SPRAY, AIA AR-94167

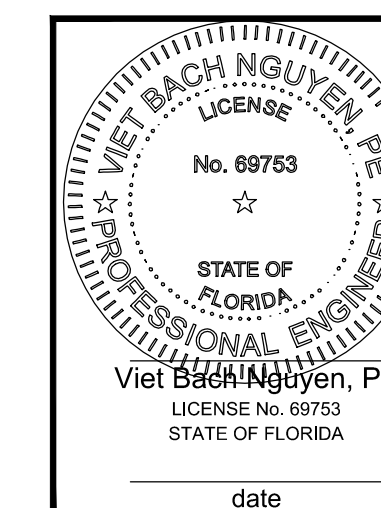
DRAWING TITLE:
MECHANICAL PLAN

DRAWING NO: **M-1**



MECHANICAL PLAN

scale: 3/16" = 1'-0"



AMERICAN UNITED Engineers Inc.
Dedicated to Excellence

4508 SW 24th Street
Fort Lauderdale, FL 33307
Tel: (954) 471-8657
american.eng@comcast.net
project no. 1623.00
CA # 29803

project no. 1623.00