

CODE  
 ■ FLORIDA BLDG CODE 2014 W/ SUPPLEMENTS  
 ■ FLORIDA EXIST. BLDG CODE 2014  
 ■ FLORIDA FIRE PREV CODE 2012 5TH EDITION  
 ■ NEC 2011

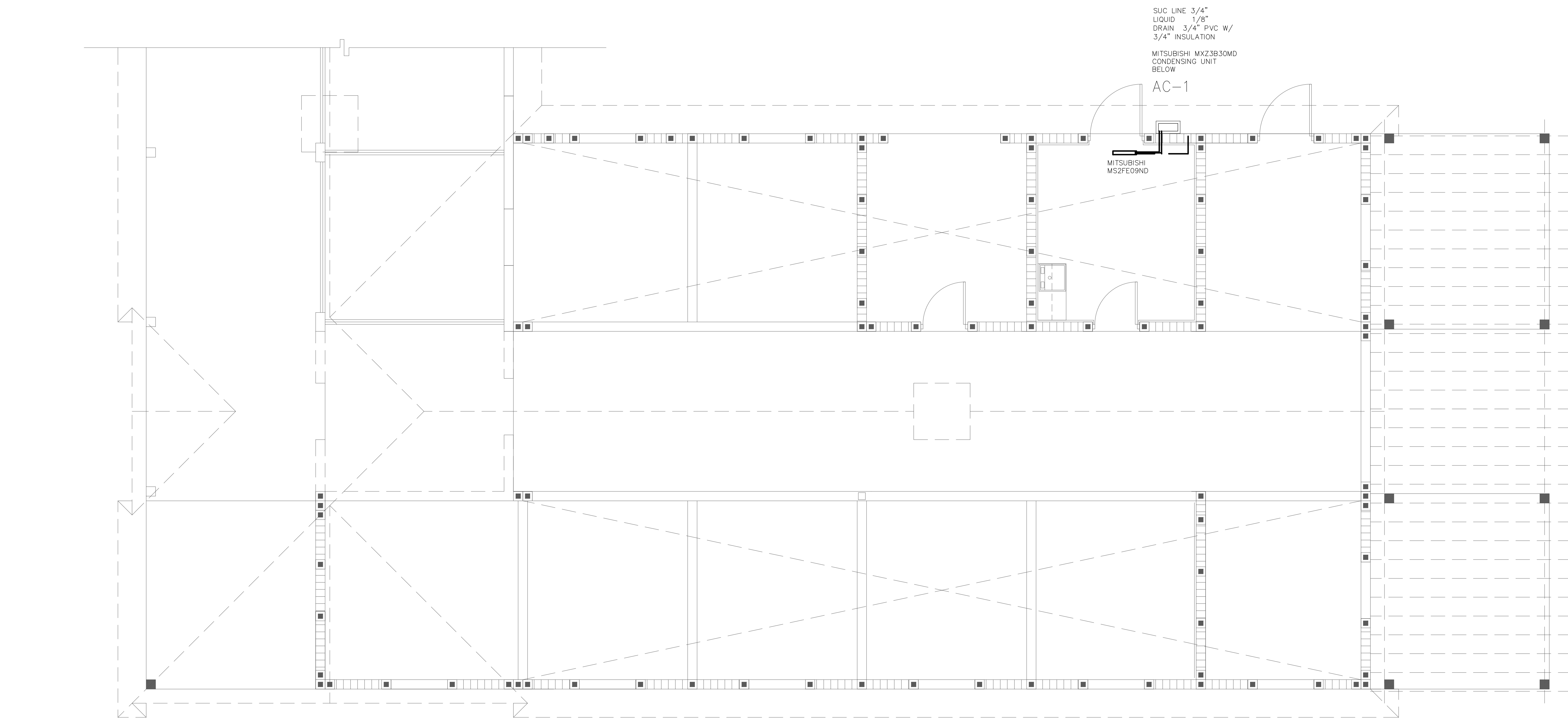
STABLE EXPANSION  
 15460 IMPERIAL POINT  
 LANE  
 WELLINGTON, FL

Revisions:  
 \_\_\_\_\_  
 \_\_\_\_\_  
 \_\_\_\_\_  
 \_\_\_\_\_  
 \_\_\_\_\_

ALL IDEAS, DESIGNS, ARRANGEMENTS AND PLANS INDICATED OR REPRESENTED BY THIS DRAWING ARE OWNED BY RICHARD BARNES AND THE PROPERTY OF THIS OFFICE AND WERE CREATED, EVALUATED AND DEVELOPED FOR USE ON, AND IN CONNECTION WITH, THE SPECIFIC PROJECT. NONE OF SUCH IDEAS, DESIGNS, AND ARRANGEMENTS OR PLANS SHALL BE USED BY OR OCCASIONED TO ANY PERSON, FIRM OR CORPORATION FOR ANY PURPOSE WHATSOEVER WITHOUT WRITTEN PERMISSION OF RICHARD BARNES.  
 WRITTEN DIMENSIONS ON THESE DRAWINGS SHALL HAVE PRECEDENCE OVER SCALE DIMENSIONS.  
 CONTRACTOR SHALL VERIFY AND BE RESPONSIBLE FOR ALL DIMENSIONS AND CONDITIONS ON THE JOB AND THIS OFFICE MUST BE NOTIFIED OF ANY VARIATIONS FROM THE DIMENSIONS AND CONDITIONS AS SHOWN ON THESE DRAWINGS.

RICHARD BARNES  
 ARCHITECTURAL  
 DESIGN SERVICES LLC  
 1807 E. TER. DR.  
 LAKE WORTH, FL 33460  
 (561) 574-1027

DRAWN \_\_\_\_\_  
 CHECKED \_\_\_\_\_  
 DATE 4-26-16  
 SCALE AS NOTED  
 FOR PERMIT \_\_\_\_\_  
 SHEET  
 M1  
 OF SHEETS

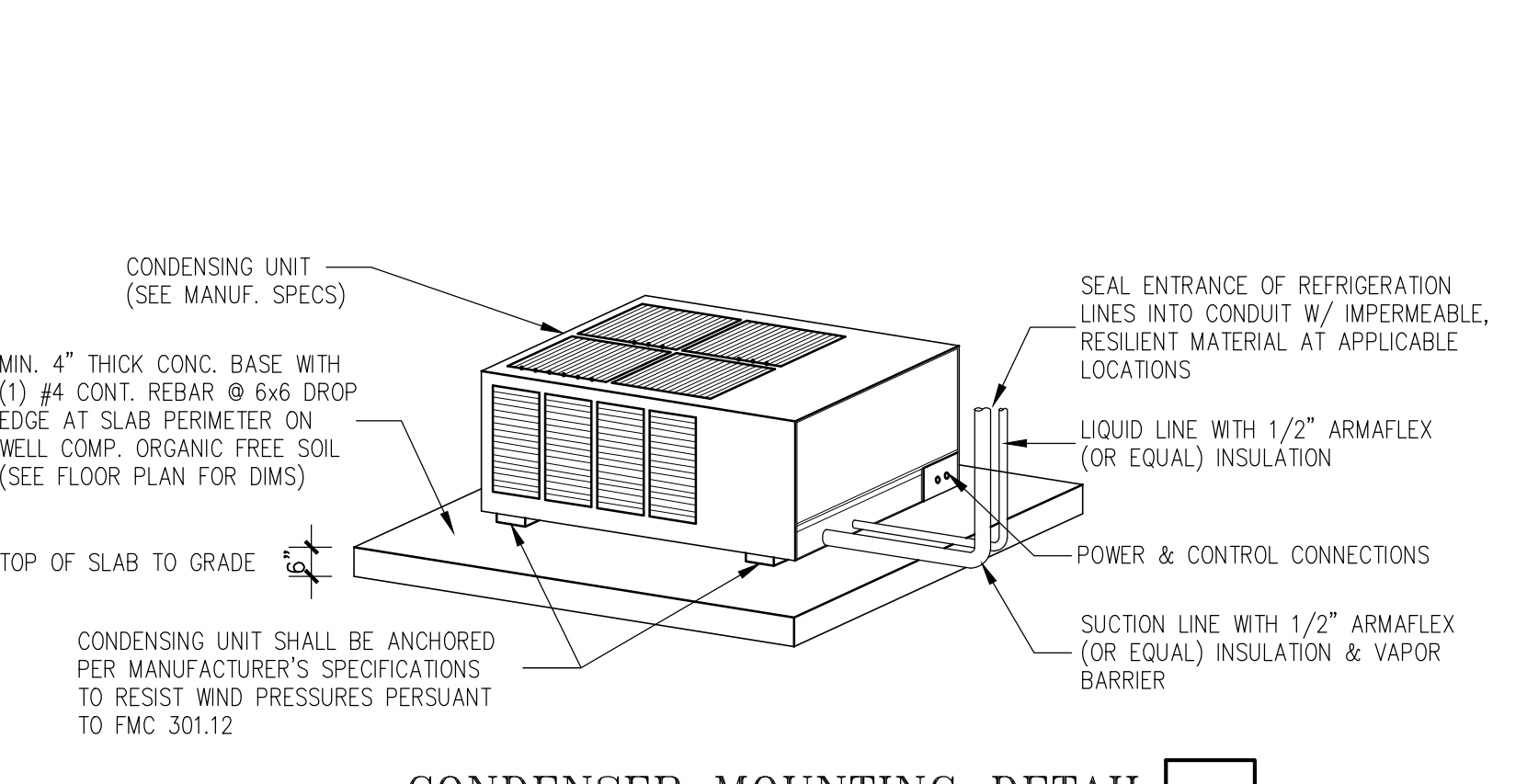
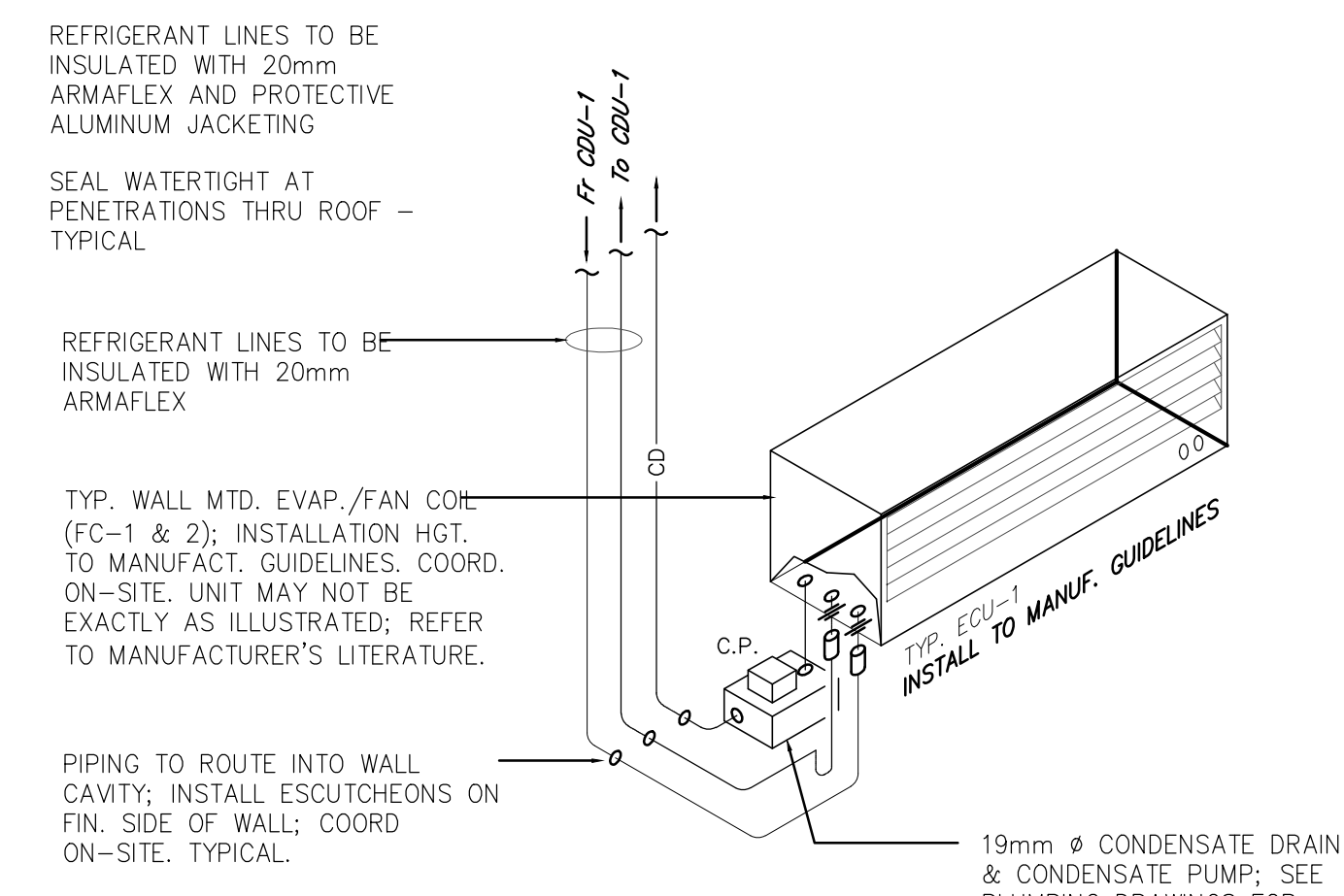
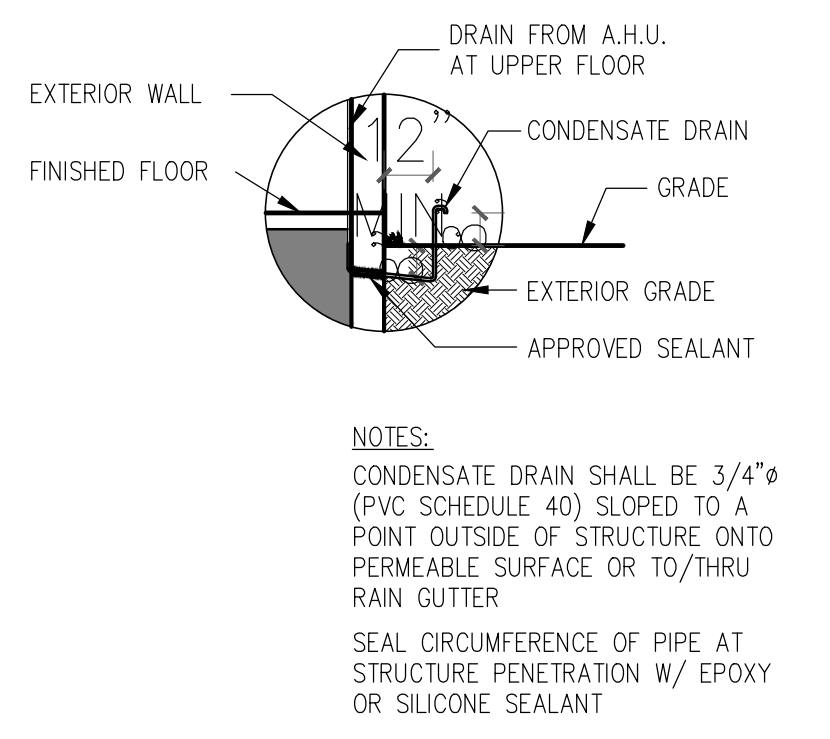


AC-1

MITSUBISHI 1.5-TON, 1 HEAD  
 AIR COOLED SPLIT A/C UNIT SCHEDULE  
 SEER 18.0

OPERATING WEIGHT LBS	25 EACH
DEIGN MANUFACTURED	MITSUBISHI
MODEL NUMBER	MS2FE09NA
TOTAL AIR CFM	500
VEN AIR CFM	NA
EXTERNAL STATIC PRES. IN OF H2O	.5
FAN MOTOR HP/F.L.A.	-
ELECTRICAL SERVICE	1-60/110/120
SMOKE DETECTORS IN SUPPLY DUCT	NA
GRAND TOTAL CAPACITY BTU/HR	18,000
TOTAL SENSIBLE CAPACITY BTU/HR	12,600
ENTERING AIR TEMP	80/60
ELECTRICAL HEAT CAPACITY TOTAL BTU	HEAT PUMP 19,000
HSPE	8.0
AMBIENT AIR TEMP	95 DEGREES
NUMBER OF COMPRESSORS	1
MAX AMPS	20/20
COMPRESSOR F.L.A. (EA.)	8.1
ELECTRICAL SERVICE AVAILABLE	1-60-208-230
OPERATING WEIGHT	140 LBS
DESIGN MANUFACTURER MODEL NO.	MX2-2B20NA
SEER	18
REF. PIPING SIZE SUC./LIQ. IN	3/4" / 1/8"

MECHANICAL PLAN  
 SCALE: 1/8" = 1'-0" 1  
 M-1



CONDENSER MOUNTING DETAIL 2  
 SCALE: NTS

- THESE DETAILS ARE SCHEMATIC ONLY. EXACT CONFIGURATION AND ROUTING OF ALL REFRIGERANT AND CONDENSATE PIPING TO BE DETERMINED ON-SITE AND COORDINATED W/ WORK OF OTHER TRADES. INSTALL TO MANUFACTURER'S GUIDELINES.
- 1.) INSTALL ALL COMPONENTS TO MANUFACTURER'S RECOMMENDATIONS AND GUIDELINES; COORDINATE W/ WORK OF OTHER TRADES.
  - 2.) INDIRECTLY CONNECT CONDENSATE DRAIN FROM CONDENSATE PUMP TO NEW FUNNEL TRAP ABOVE FIN. CEILING; REFER TO PLAN LAYOUT FOR ADDITIONAL INFORMATION. COORD. ON-SITE. CONDENSATE PUMP TO BE ENCLOSED WITHIN WALL CAVITY OR IN DEDICATED WALL MTD. ENCLOSURE AS REQ'D. TO BE c/w ACCESS DOOR. COORD. W ARCH. DIVISION. WIRE CONDENSATE PUMP TO EVAPORATOR COIL UNIT PER. MANUF. INSTRUCTIONS.
- CAREFULLY COORDINATE THE INSTALLATION OF CONDENSER UNIT ON ROOF WITH ARCHITECTURAL AND STRUCTURAL DIVISIONS. INTEGRITY OF ROOFING MEMBRANE TO BE MAINTAINED WATERTIGHT.