

REVISIONS

1.
2.
3.
4.
5.
6.
7.
8.
9.
10.

ALL IDEAS, DESIGN, ARRANGEMENTS, AND PLANS INDICATED OR REPRESENTED BY THIS DRAWING ARE OWNED BY AND PROPERTY OF THE OFFICE, AND WHERE CREATED, EVALUATED, AND DEVELOPED FOR USE, AND IN CONNECTION WITH THE SPECIFIED PROJECT, NONE OF SUCH IDEAS, DESIGN, ARRANGEMENTS, AND PLANS SHALL BE USED BY OR DISCLOSED TO ANY PERSON, FIRM, OR CORPORATION FOR ANY PURPOSE WITHOUT WRITTEN PERMISSION OF RWB LINARES ARCHITECTURE, INC.

LIFE FELLOWSHIP  
11401 WEST SAMPLE ROAD  
CORAL SPRINGS, FL. 33065

1600 SOUTH DIXIE HWY., SUITE 400  
BOCA RATON, FLORIDA, 33432  
PHONE 561-391-0051 FAX 561-391-0085  
EMAIL mail@rwb-arch.com

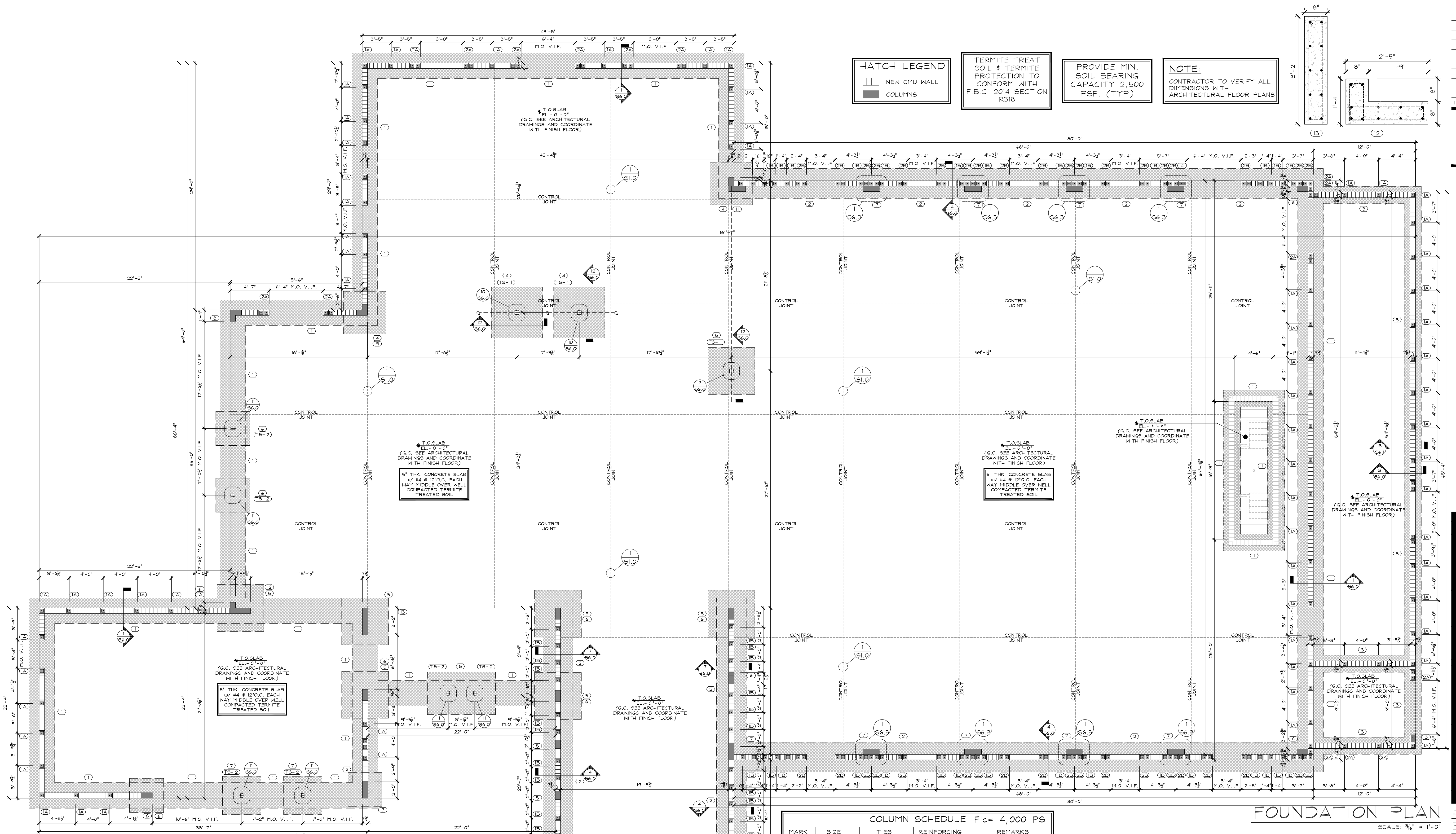
**RWB**  
Linares  
ARCHITECTURE

PROJECT # 14-067  
PLOT DATE 04-20-16  
DATE 10-20-14  
SHEET #

JUAN C. LINARES

**S-1.0**

AA26000640



**HATCH LEGEND**  
 NEW CMU WALL  
 COLUMNS

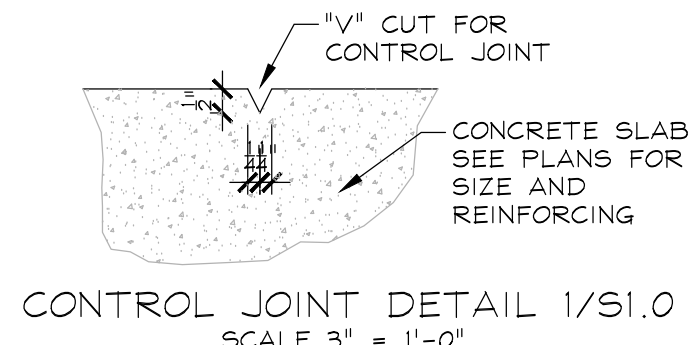
TERMITE TREAT SOIL & TERMITE PROTECTION TO CONFORM WITH F.B.C. 2014 SECTION R318

PROVIDE MIN. SOIL BEARING CAPACITY 2,500 PSF. (TYP)

**NOTE:**  
CONTRACTOR TO VERIFY ALL DIMENSIONS WITH ARCHITECTURAL FLOOR PLANS

**FOOTING SCHEDULE F'c = 4,000 PSI**  
ADD 30"x30" CORNER BAR @ EA. OUTSIDE CORNER OF CONT. FOOTING. USE BAR DIAMETER SHOWN IN SCHEDULE BELOW.

MARK	SIZE	TYPE	REINFORCING	REMARKS
(1)	36"x16"	STEM	4#5@ CONTINUOUS BOT. 1#5 @ 12" O.C. SEE DETAIL 1/56.0	
(2)	42"x16"	STEM	5#5@ TOP CONTINUOUS SEE DETAIL 1/56.0 1#6@ TOP CONTINUOUS SEE DETAIL 4/56.0	
(3)	24"x16"	STEM	3#5@ CONTINUOUS BOT. 1#5 @ 12" O.C. SEE DETAIL 3/56.0	
(4)	72"x72"x20"	PAD	7#7@ E.WAY TOP#BOT.	
(5)	66"x66"x20"	PAD	6#7@ E.WAY	
(6)	48"x48"x16"	PAD	5#5@ EACH WAY BOT.	
(7)	54"x54"x16"	PAD	6#5@ EACH WAY BOT.	
(8)	96"x60"x16"	PAD	1#5@ O.C. E.WAY TOP#BOT.	



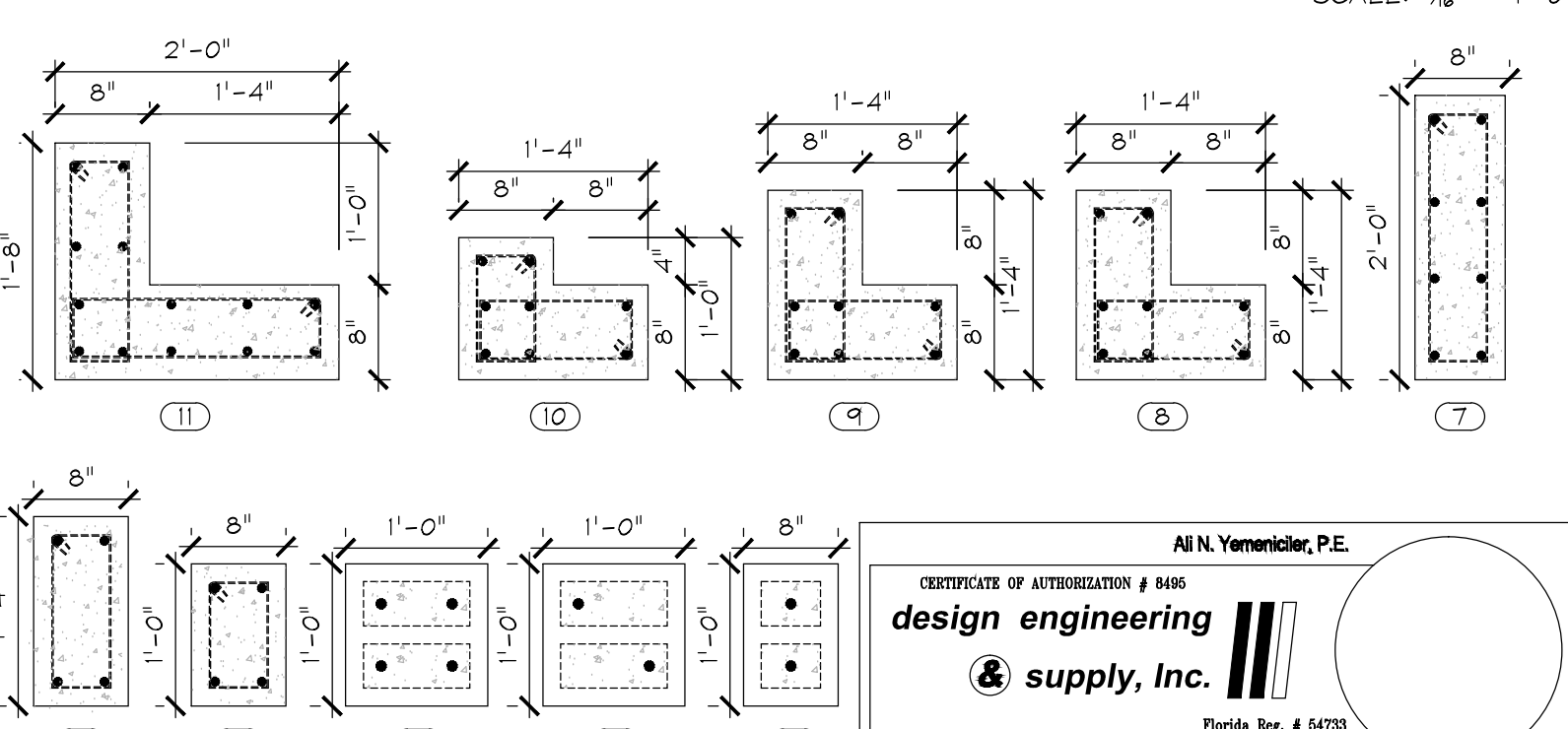
**STEEL COLUMN SCHEDULE**

MARK	SIZE	BASE PLATE	ANCHORS	TOP PLATE	ANCHORS	REMARKS
(TS-1)	6"x6"x $\frac{3}{8}$ "					SEE DETAILS
(TS-2)	4"x6"x $\frac{1}{2}$ "					

**NOTE:** WINDOW AND DOOR BUCK IT IS ACCEPTABLE TO REDUCE THE CONCRETE BEAMS AT ONLY WINDOW AND DOOR LOCATIONS BY 2" FOR BUCK INSTAL. CONTRACTOR SHALL COORDINATE ALL WINDOW AND DOOR MASONRY OPENINGS W/DOOR & WINDOW MANUFACTURE PRIOR TO BLOCK WALL INSTALLATION AND TIE BEAM POUR.

**COLUMN SCHEDULE F'c = 4,000 PSI**

MARK	SIZE	TIES	REINFORCING	REMARKS
(1A)	8"x8"		1#5 VERT.	FILLED CELLS
(1B)	8"x8"		1#7 VERT.	FILLED CELLS
(2A)	8"x16"		2#5 VERT.	FILLED CELLS
(2B)	8"x16"		2#7 VERT.	FILLED CELLS
(3)	8"x12"		2#5 VERT.	FILLED CELLS
(4)	8"x12"		2#6 VERT.	FILLED CELLS
(5)	8"x12"	#3@ 8" O.C.	4#6 VERT.	CONCRETE COLUMN
(6)	8"x16"	#3@ 8" O.C.	6#6 VERT.	CONCRETE COLUMN
(7)	8"x24"	#3@ 8" O.C.	8#5 VERT.	CONCRETE COLUMN
(8)	8"x16"x16"	#3@ 8" O.C.	8#5 VERT.	CONCRETE COLUMN
(9)	8"x16"x16"	#3@ 8" O.C.	8#6 VERT.	CONCRETE COLUMN
(10)	8"x16"x16"	#3@ 8" O.C.	8#5 VERT.	CONCRETE COLUMN
(11)	8"x20"x24"	#3@ 8" O.C.	13#5 VERT.	CONCRETE COLUMN
(12)	8"x16"x29"	#3@ 8" O.C.	13#5 VERT.	CONCRETE COLUMN
(13)	8"x33"	#3@ 8" O.C.	8#5 VERT.	CONCRETE COLUMN



ALL N. Yemselke, P.E.  
 design engineering  
 & supply, Inc.  
 Florida Reg. # 8470  
 2799 N.W. Boca Raton Blvd., Suite # 111 Boca Raton, FL 33431  
 PHONE : (561)705-2930 FAX : (561)951-2611