

REVISIONS

1.	
2.	
3.	
4.	
5.	
6.	
7.	
8.	
9.	
10.	

ALL REVISIONS, REVISIONS AND PLANS INDICATED OR REPRESENTED BY THIS DRAWING ARE OWNED BY AND PROPERTY OF THIS OFFICE AND SHALL BE KEPT, MAINTAINED AND DEVELOPED FOR THE LIFE OF THE PROJECT AND IN CONNECTION WITH THE SPECIFIED PROJECT. NONE OF SUCH REVISIONS, REVISIONS AND PLANS SHALL BE USED OR DISCLOSED TO ANY PERSON, FIRM OR CORPORATION FOR ANY PURPOSE WITHOUT WRITTEN PERMISSION OF RWB LINARES ARCHITECTURE, INC.

LIFE FELLOWSHIP
11401 WEST SAMPLE ROAD
CORAL SPRINGS, FL. 33065

1600 SOUTH DIXIE HWY., SUITE 400
BOCA RATON, FLORIDA, 33432
PHONE 561-391-0051 FAX 561-391-0055
EMAIL mail@rwbarch.com

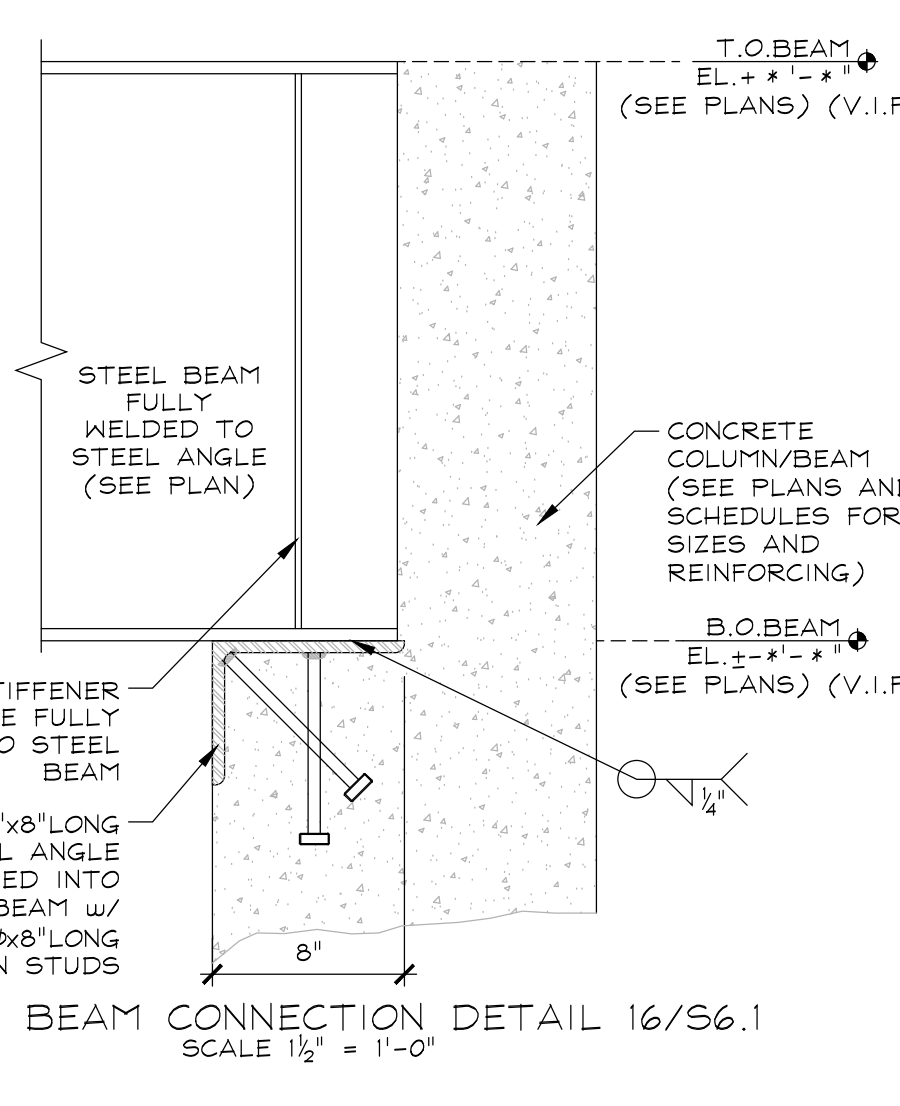
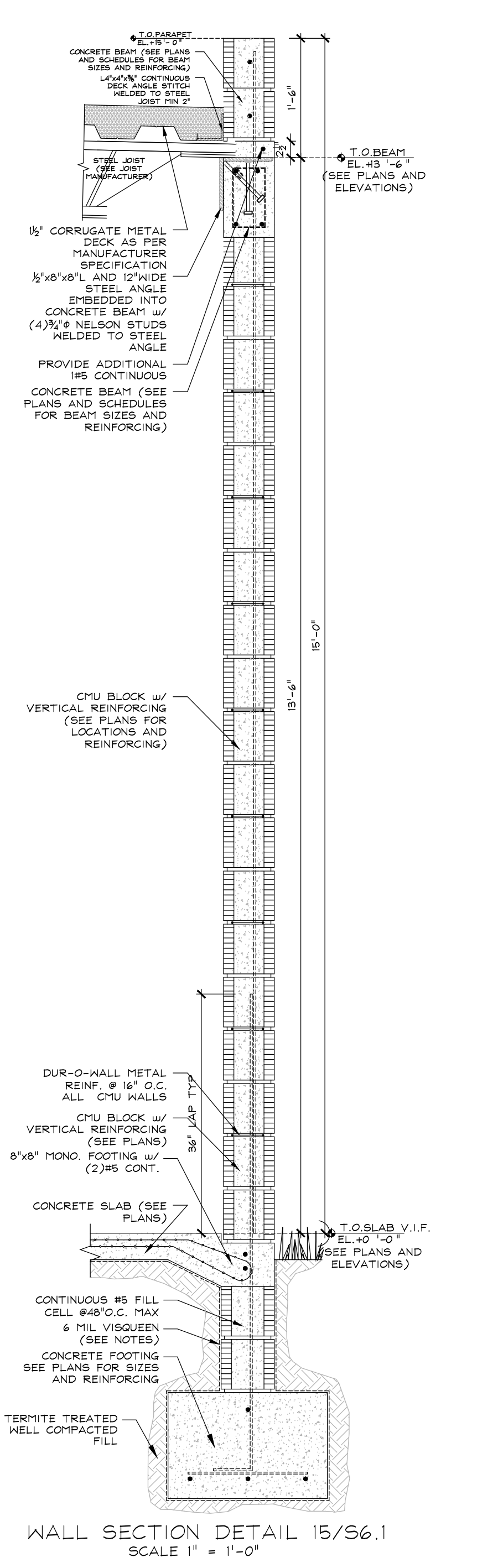
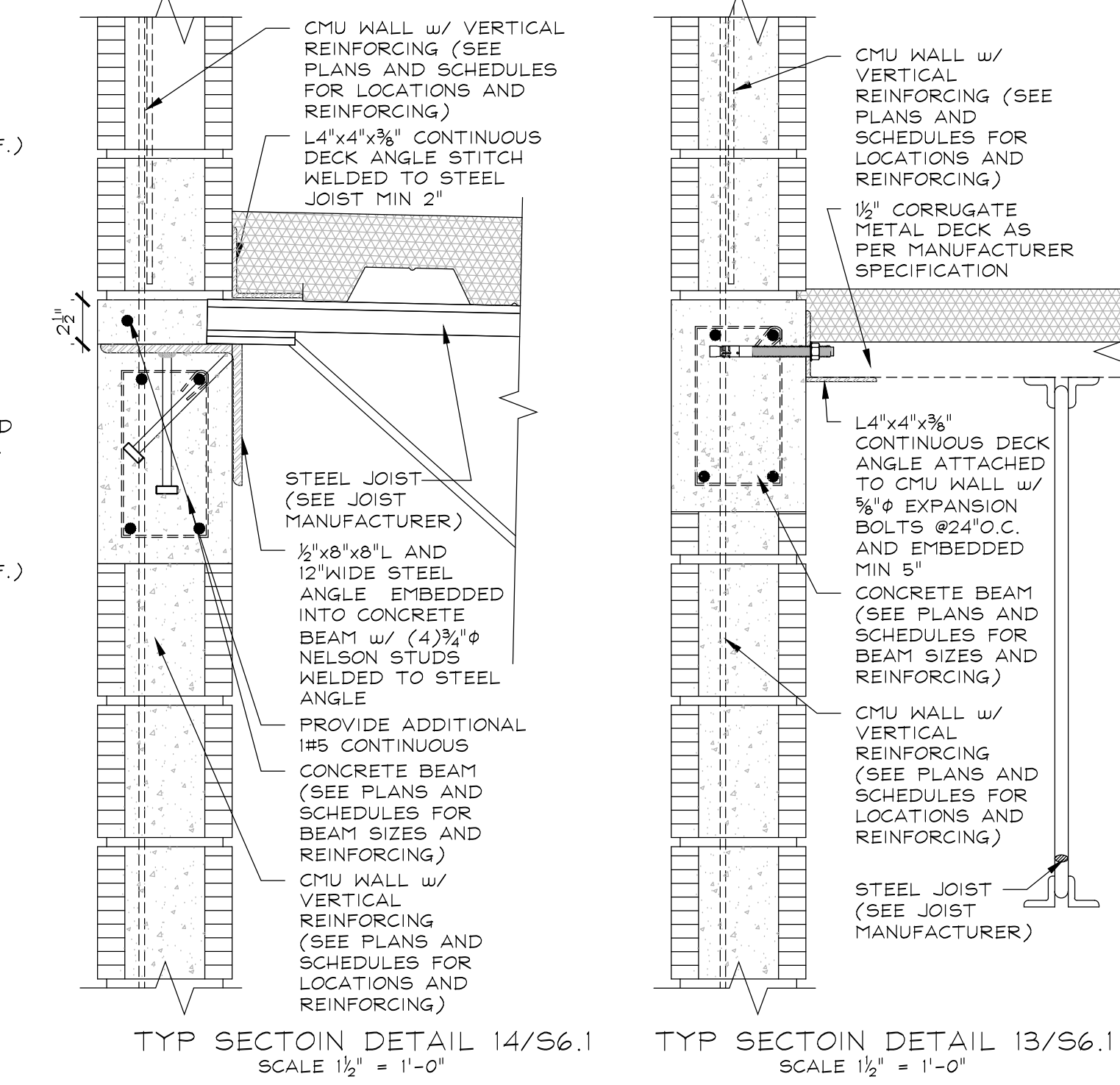
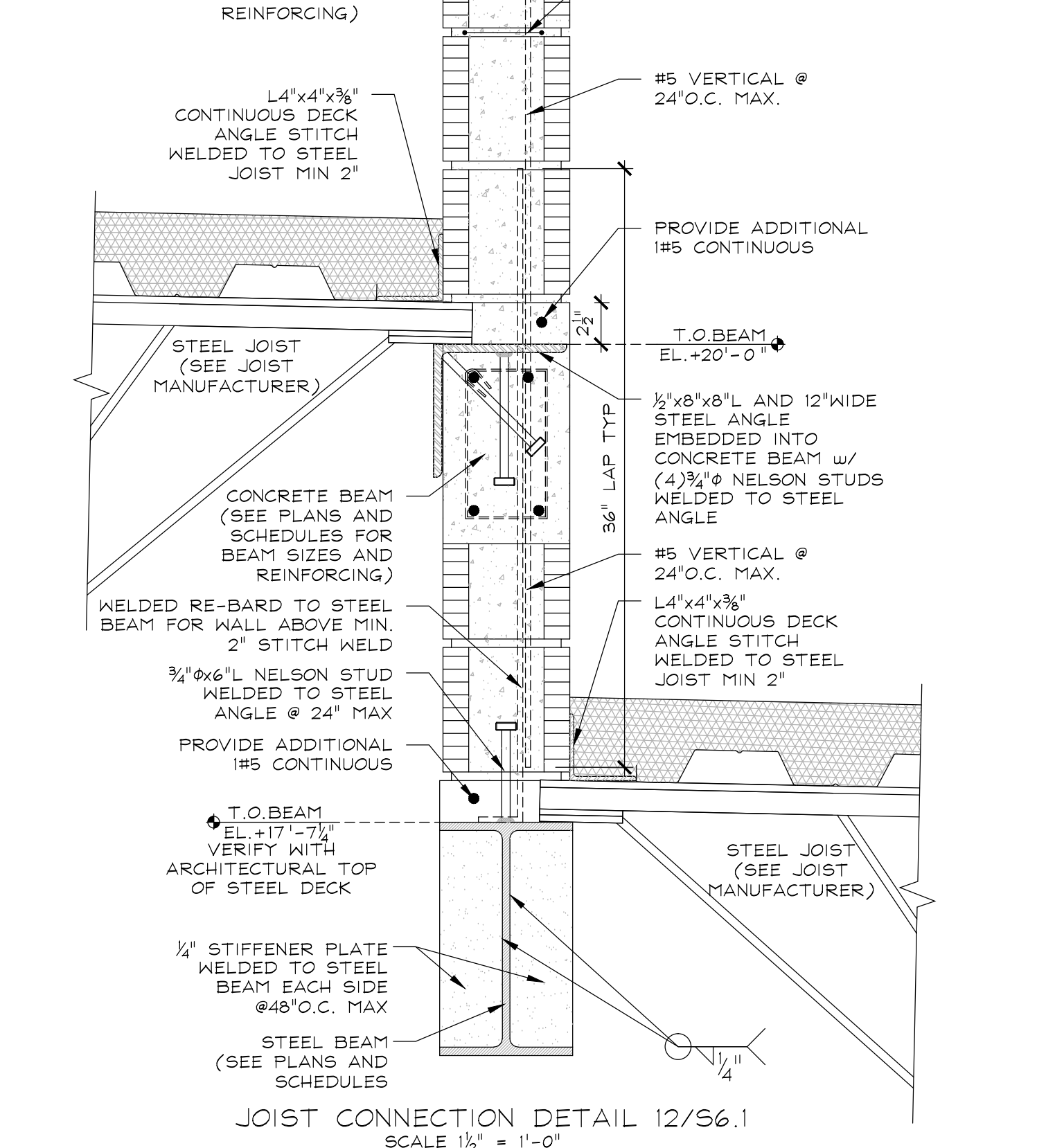
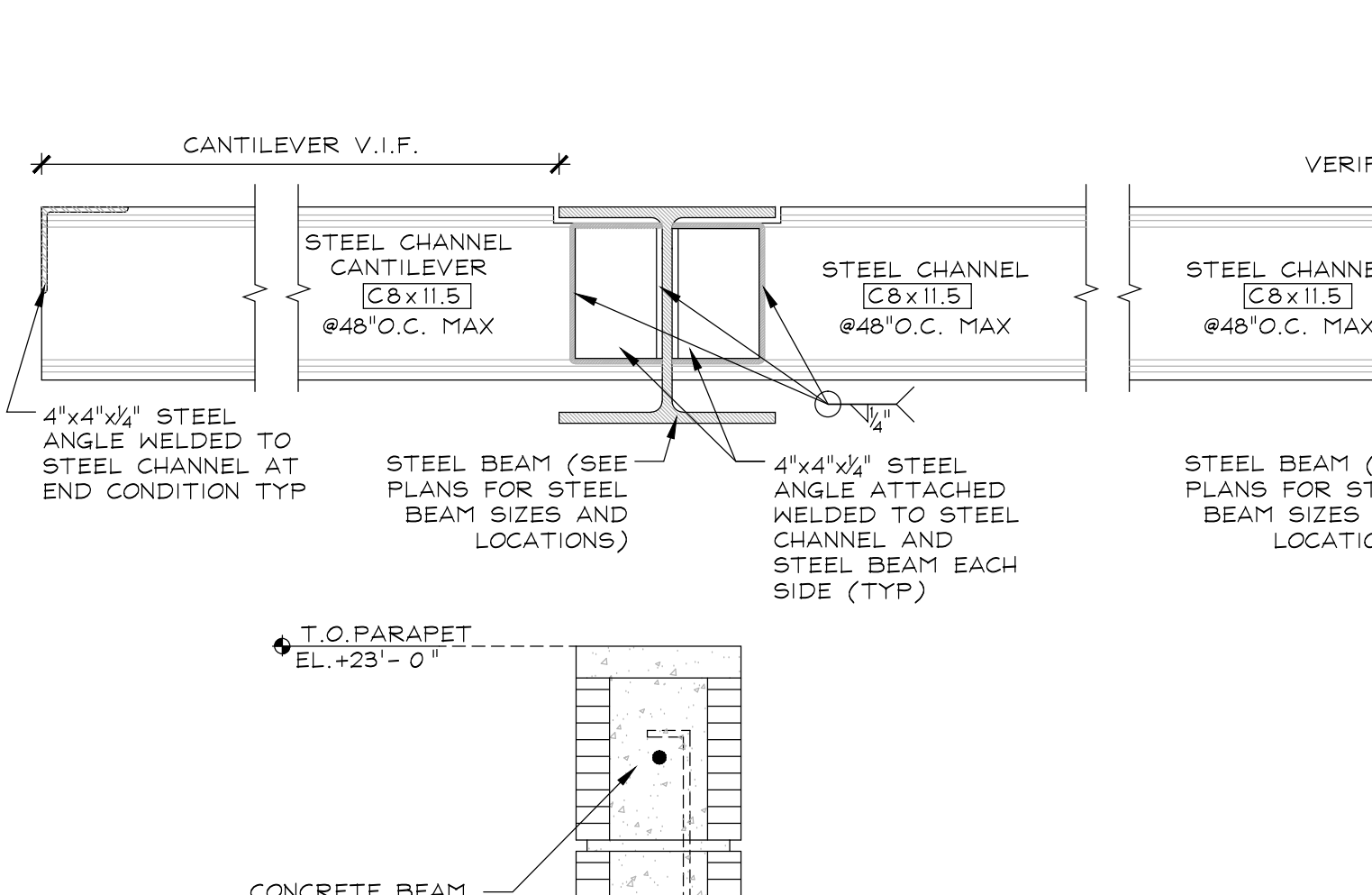
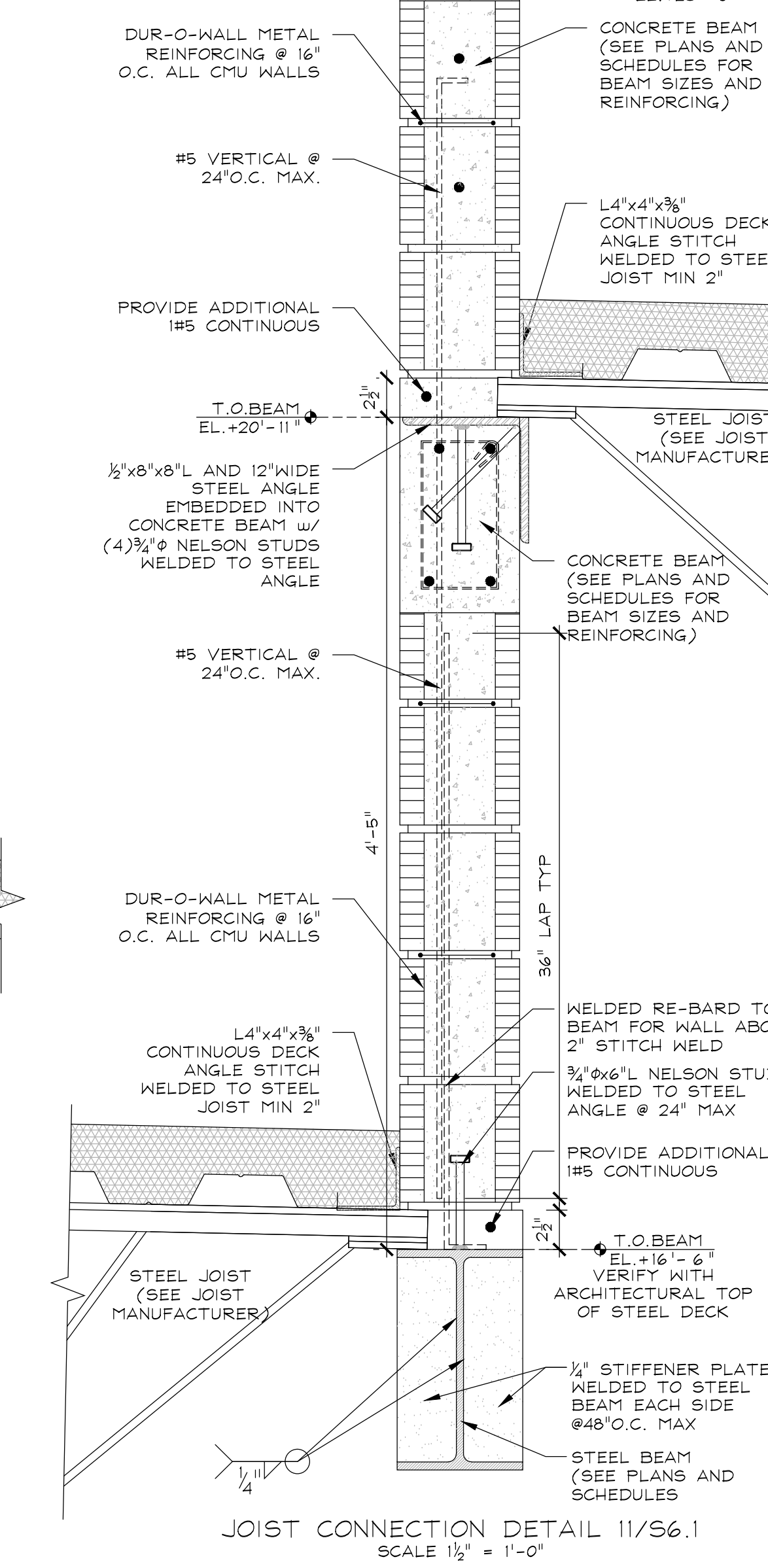
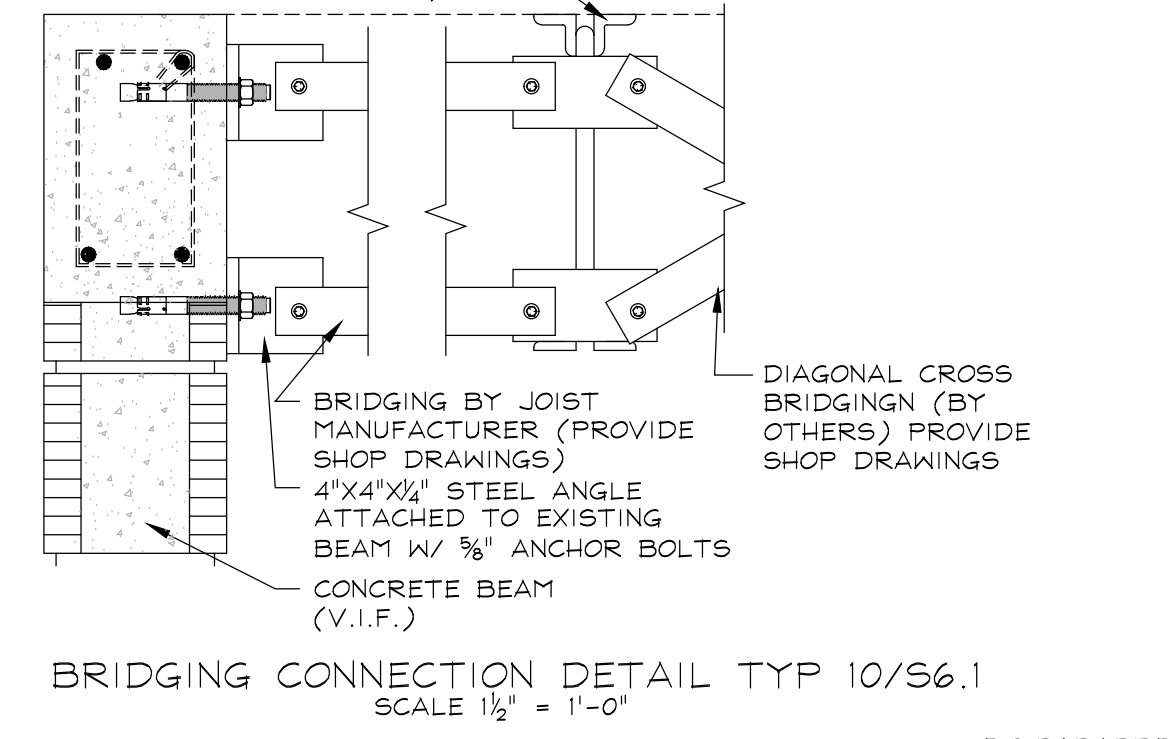
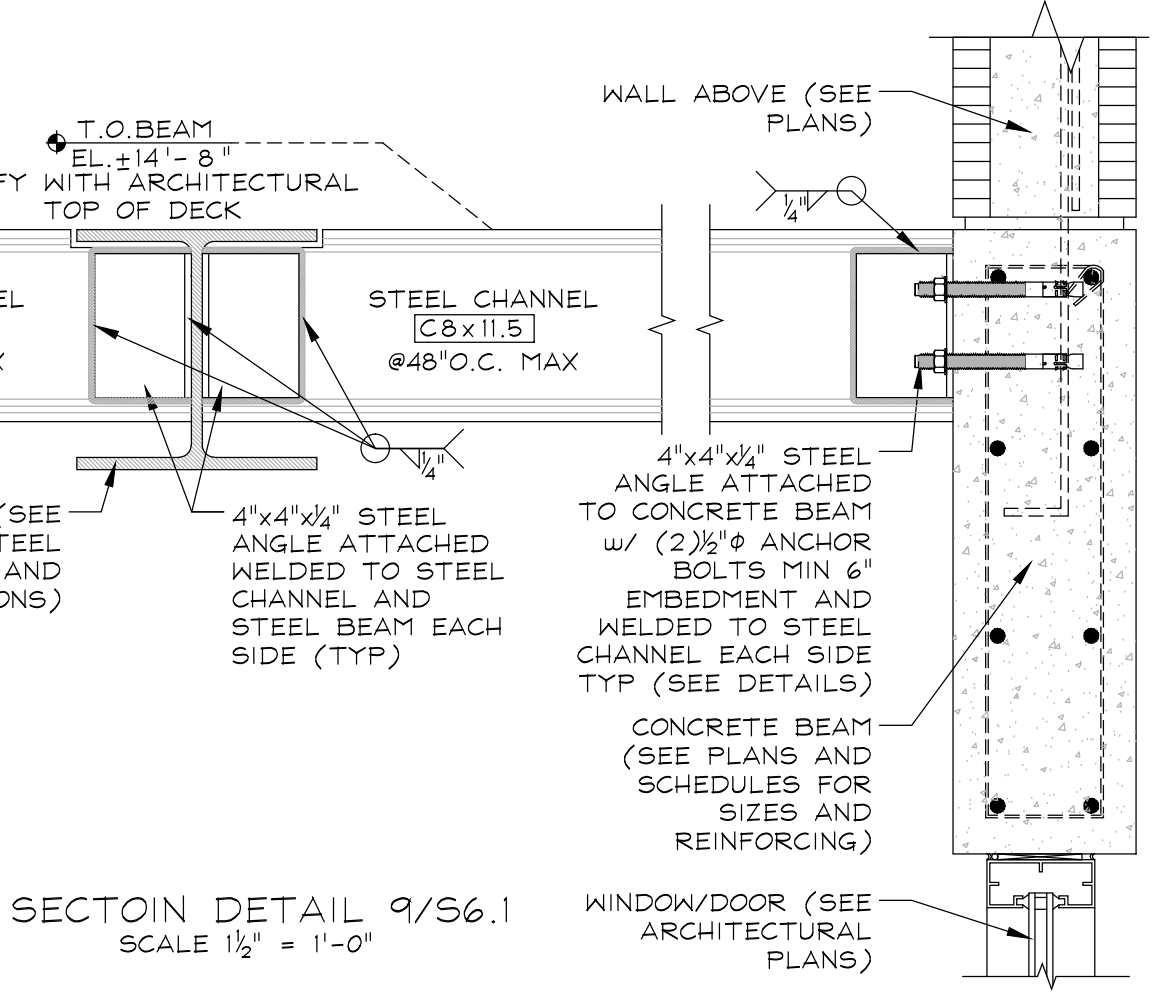
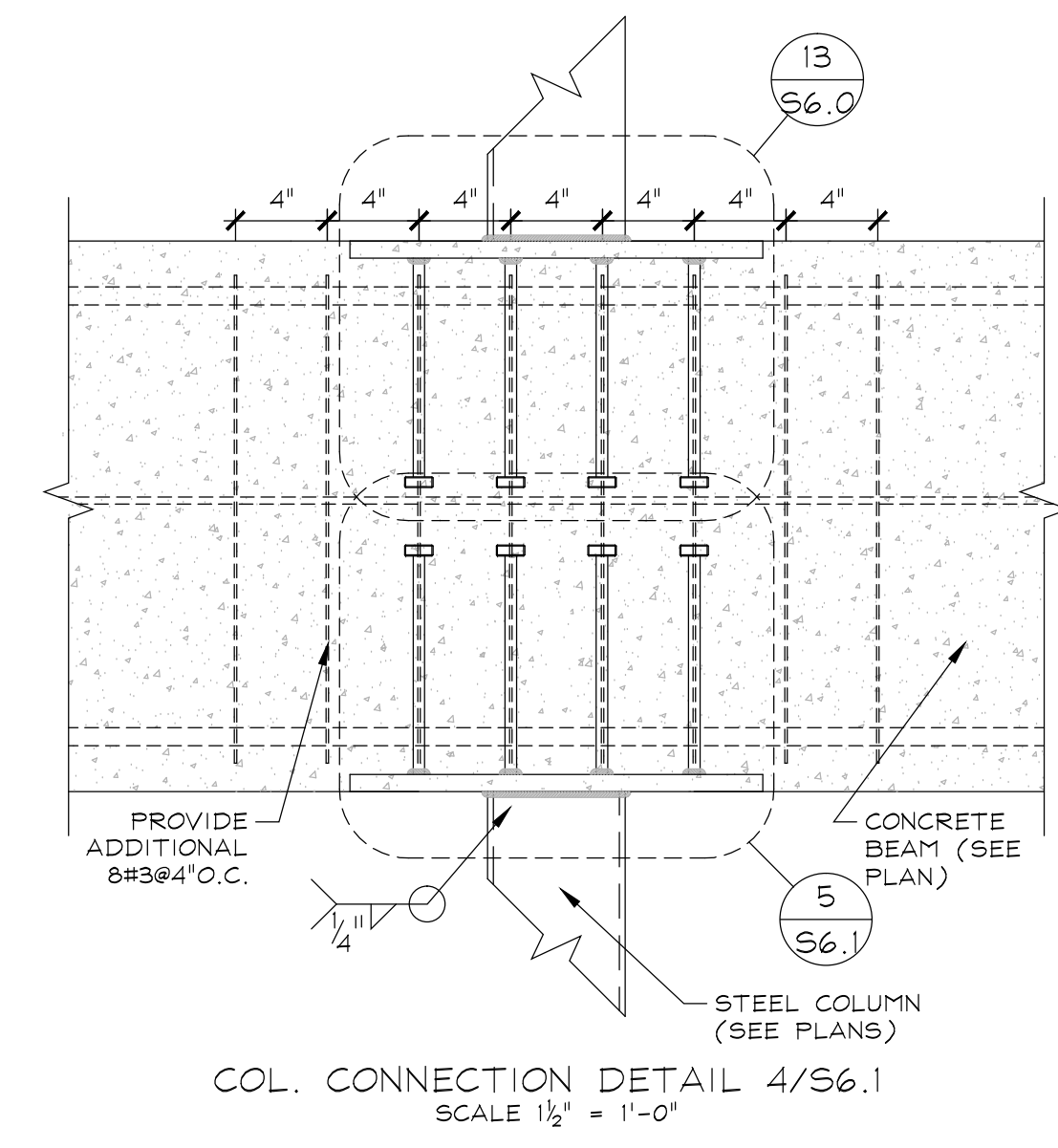
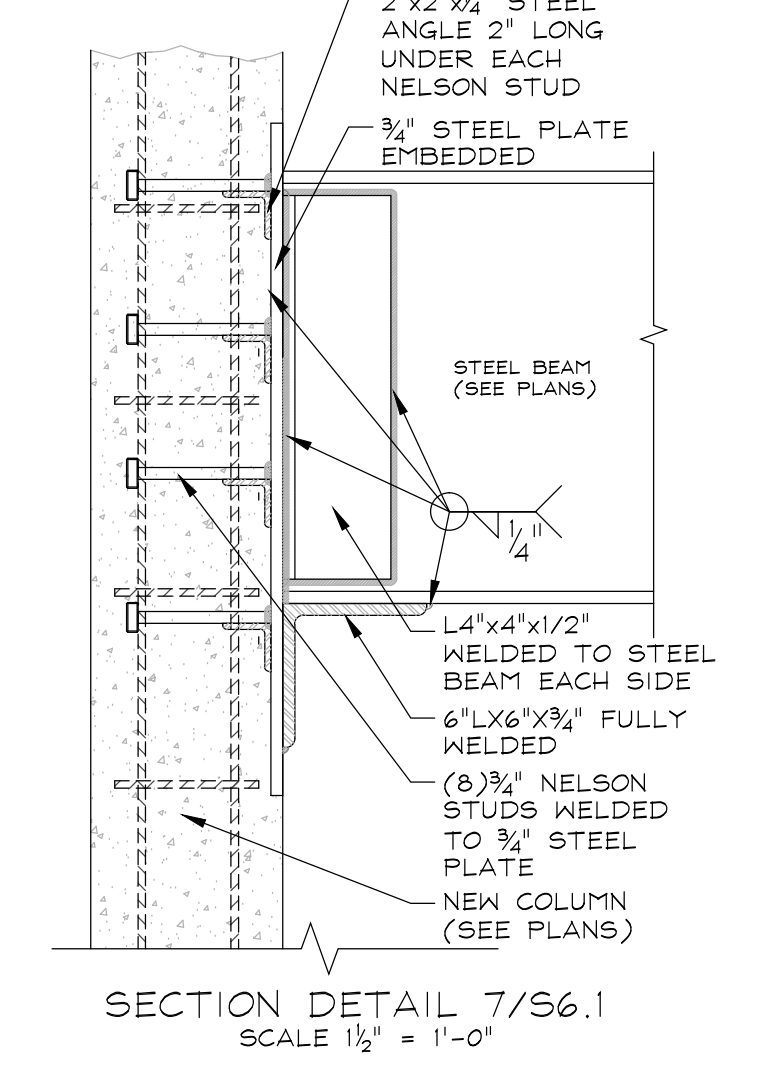
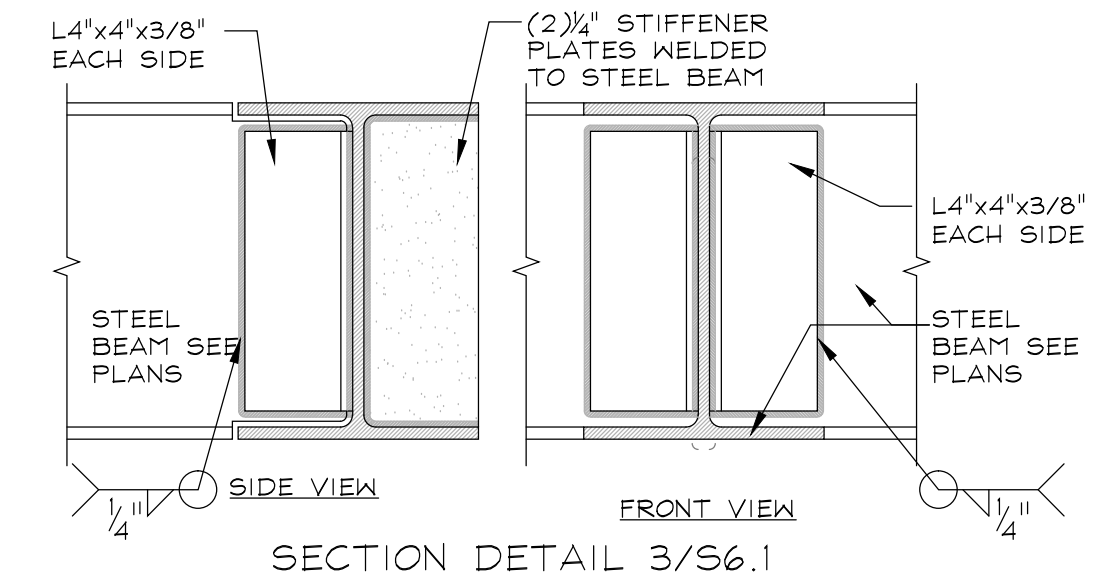
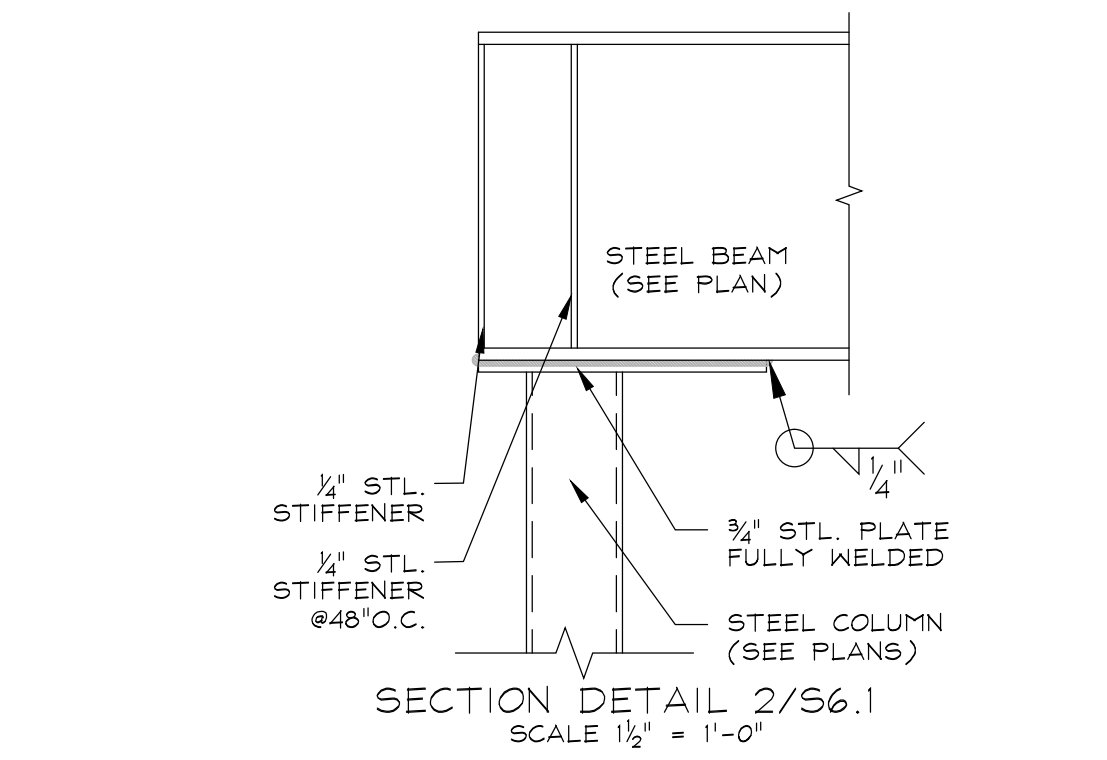
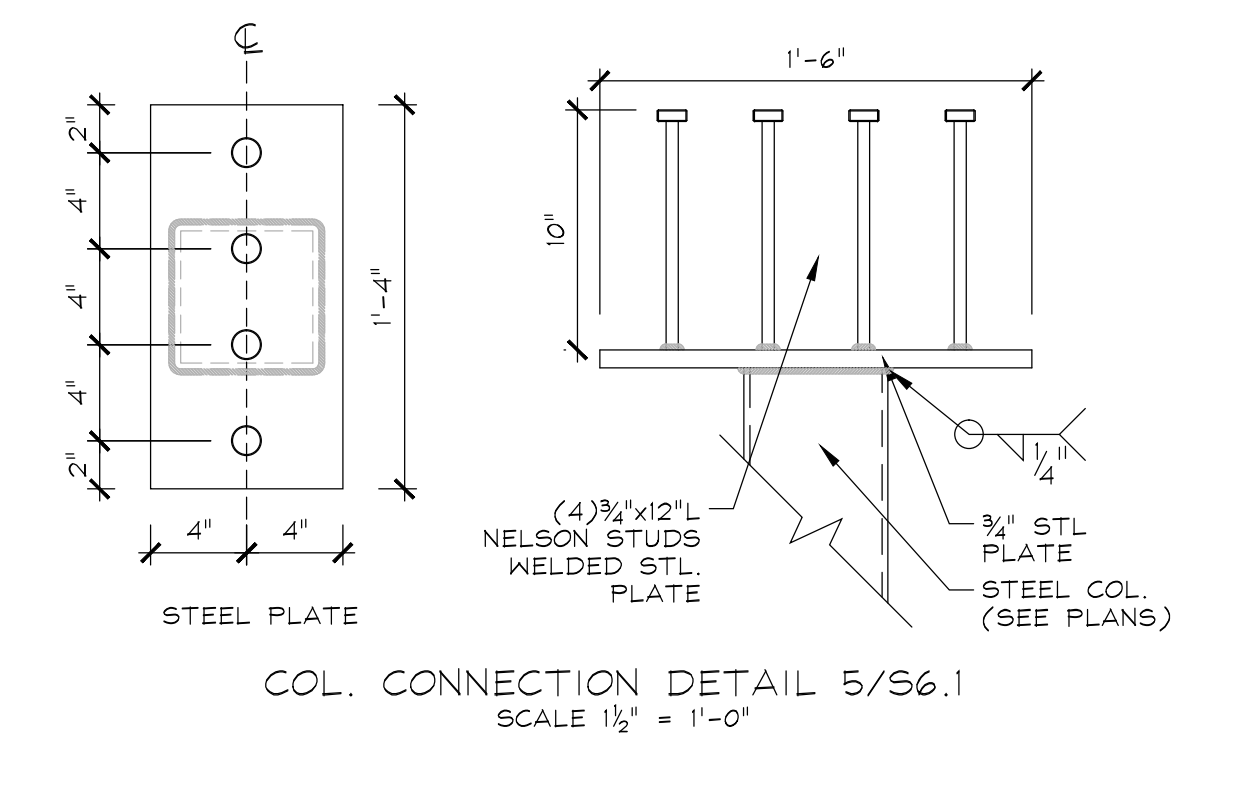
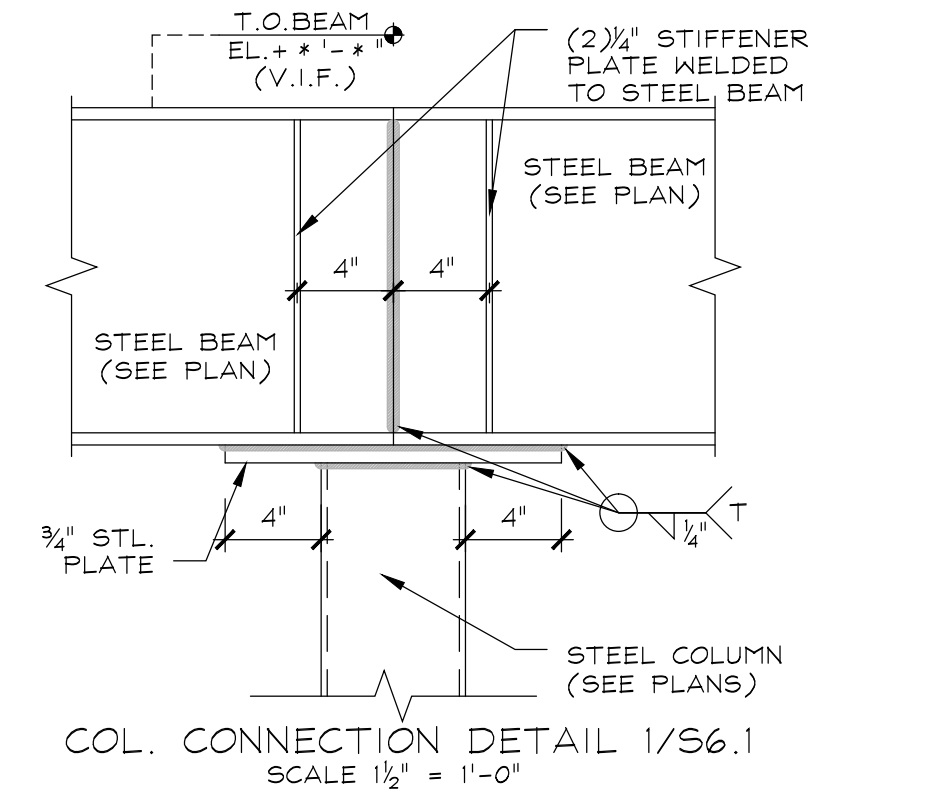
RWB
Linare
ARCHITECTURE

PROJECT # 14067
PLOT DATE 04-20-16
DATE 10-20-14
SHEET #

JUAN C. LINARES

S-6.1

AA26000640



AI N. Yemericke, P.E.
CERTIFICATE OF AUTHORIZATION # 8480
design engineering
supply, Inc.
Florida Reg. # 8222
2700 N.W. Boca Raton Blvd., Suite # 111 - Boca Raton, FL 33431
PHONE : (561)705-2930 FAX : (561)451-2611