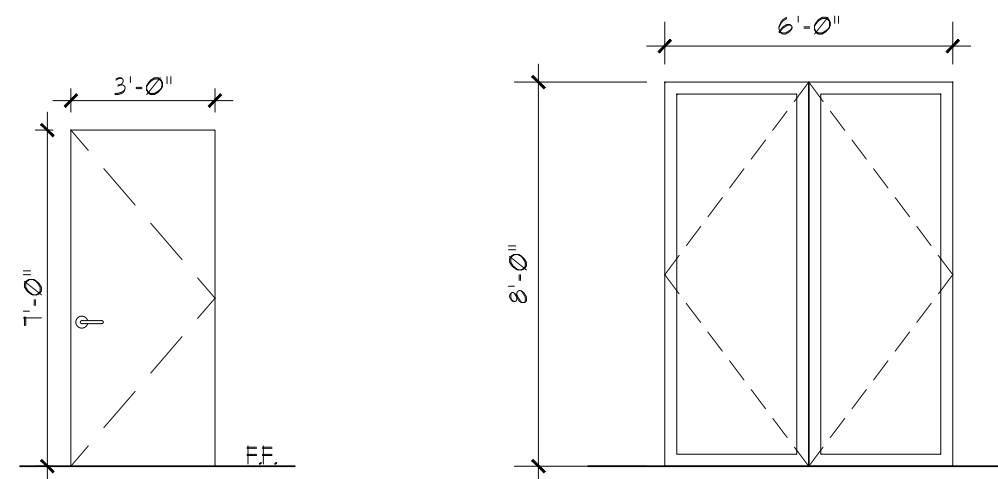


DOOR TYPES

ASSUME STANDING OUTSIDE OF ROOM

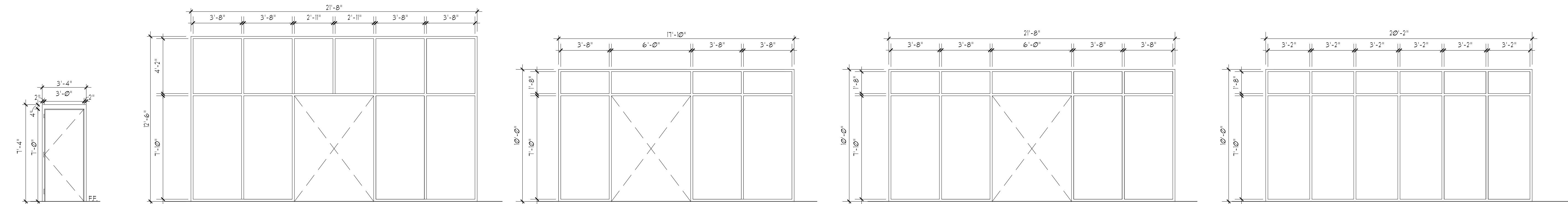


TYPE : A
GALVANIZED STEEL HOLLOW METAL DOOR IMPACT RESISTANT
N.O.A. #2-022329 FL*

TYPE : AL1
ALUMINUM OUTSWING ENTRANCE DOOR IMPACT RESISTANT & BLAST MITIGATION
YKK AP AMERICANIC SERIES 35H FL#65541

DOOR FRAME TYPES

ASSUME STANDING OUTSIDE OF ROOM



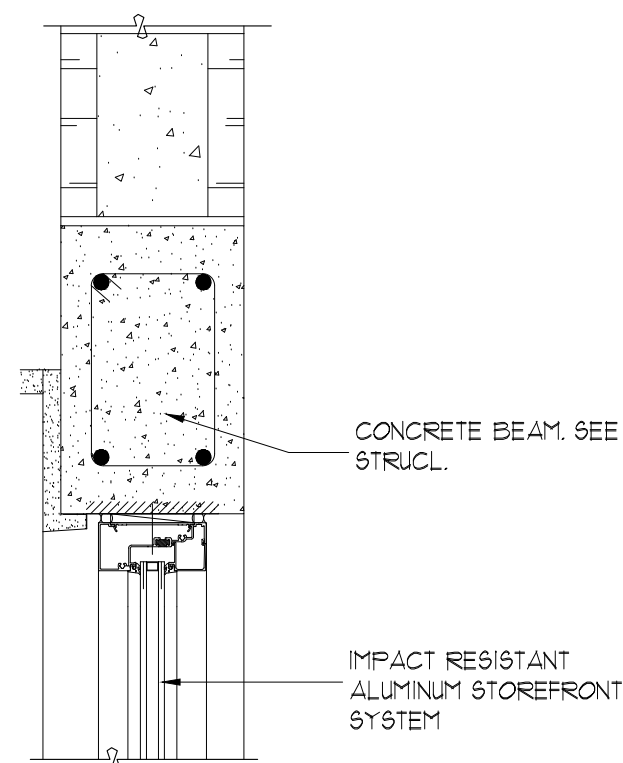
TYPE : GHM
GALV. HTY FRAME IMPACT RESISTANT
N.O.A. 03-091201 FL#4931

TYPE : AL2
ALUMINUM STOREFRONT FRAME, IMPACT RESISTANT & BLAST MITIGATION
YKK AP AMERICANIC SERIES YH5 50 TU FL#4218R6

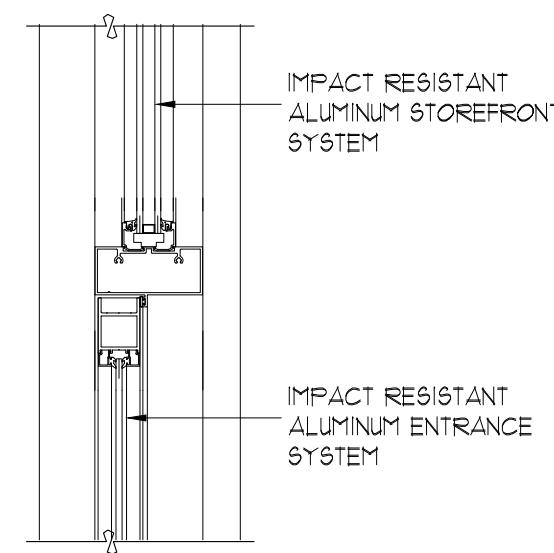
TYPE : AL3
ALUMINUM STOREFRONT FRAME, IMPACT RESISTANT & BLAST MITIGATION
YKK AP AMERICANIC SERIES YH5 50 TU FL#4218R6

TYPE : AL4
ALUMINUM STOREFRONT FRAME, IMPACT RESISTANT & BLAST MITIGATION
YKK AP AMERICANIC SERIES YH5 50 TU FL#4218R6

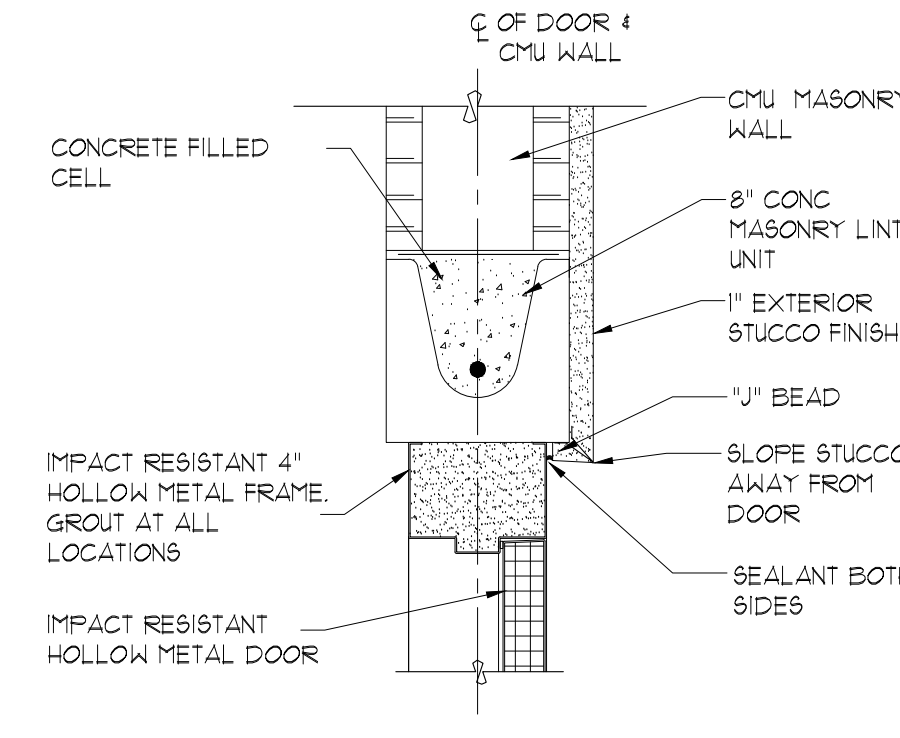
TYPE : AL5
ALUMINUM STOREFRONT FRAME, IMPACT RESISTANT & BLAST MITIGATION
YKK AP AMERICANIC SERIES YH5 50 TU FL#4218R6



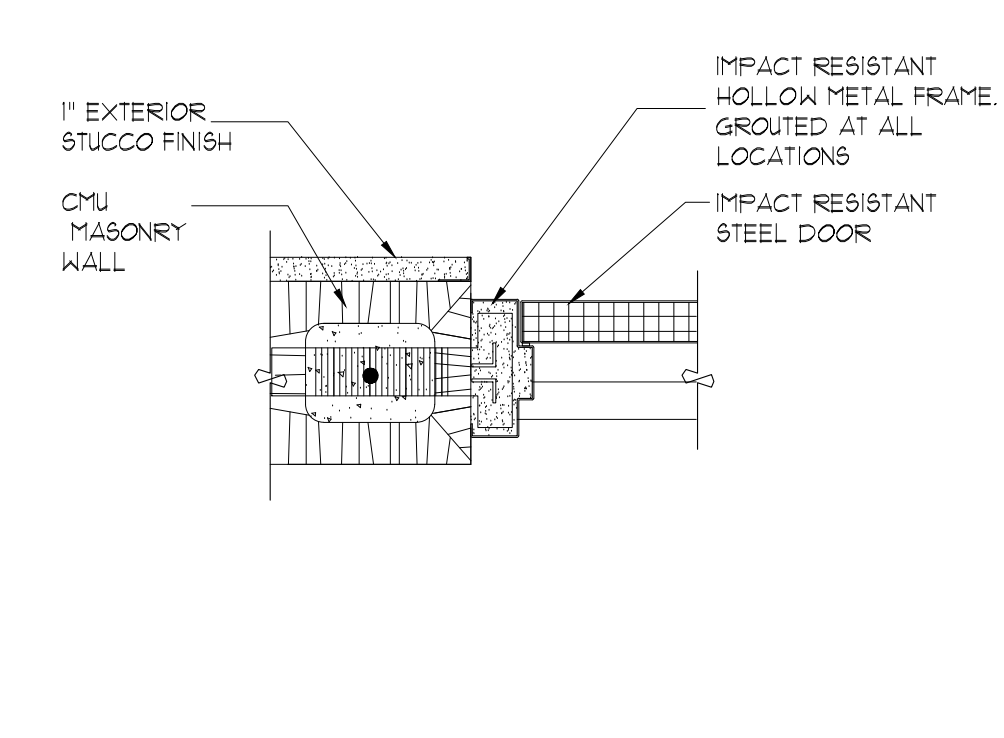
H-1 ALUMINUM HEAD - DOOR



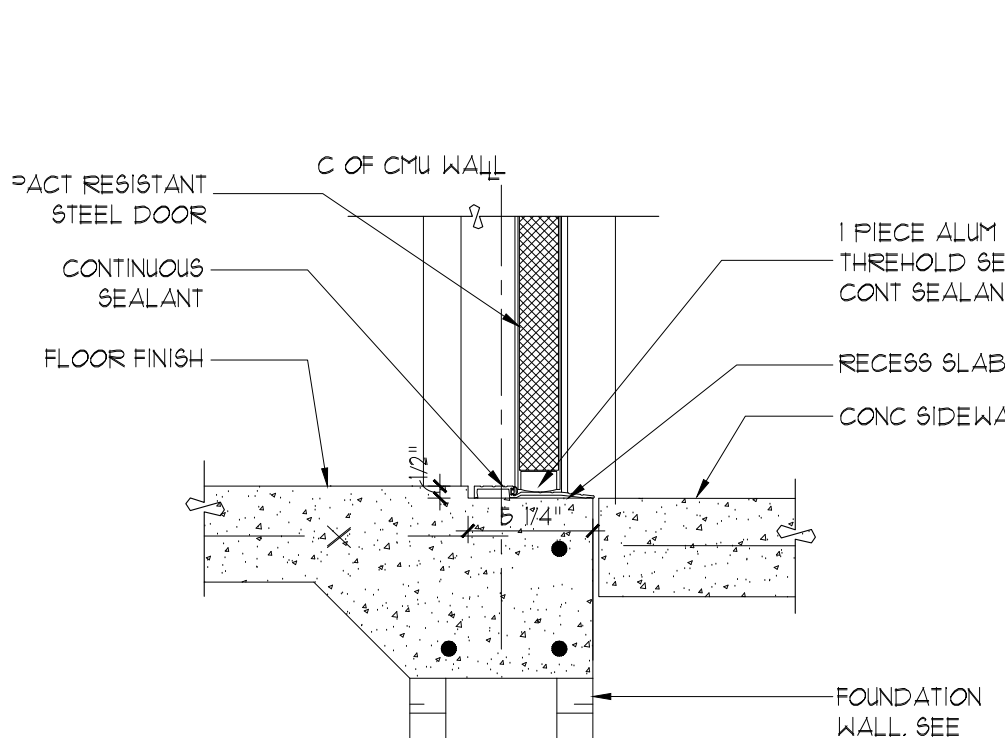
H-1A ALUMINUM MULLION - DOOR



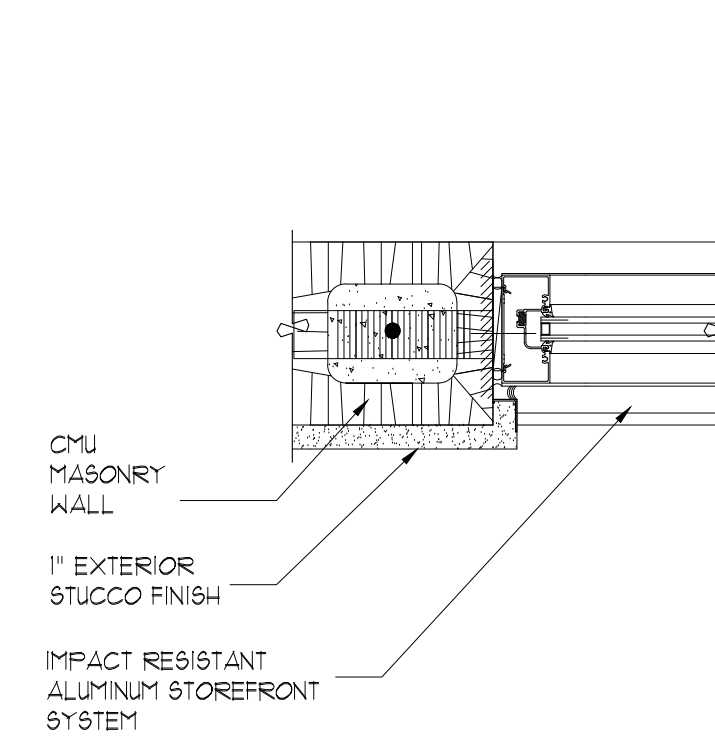
H-2 HOLLOW METAL HEAD - DOOR



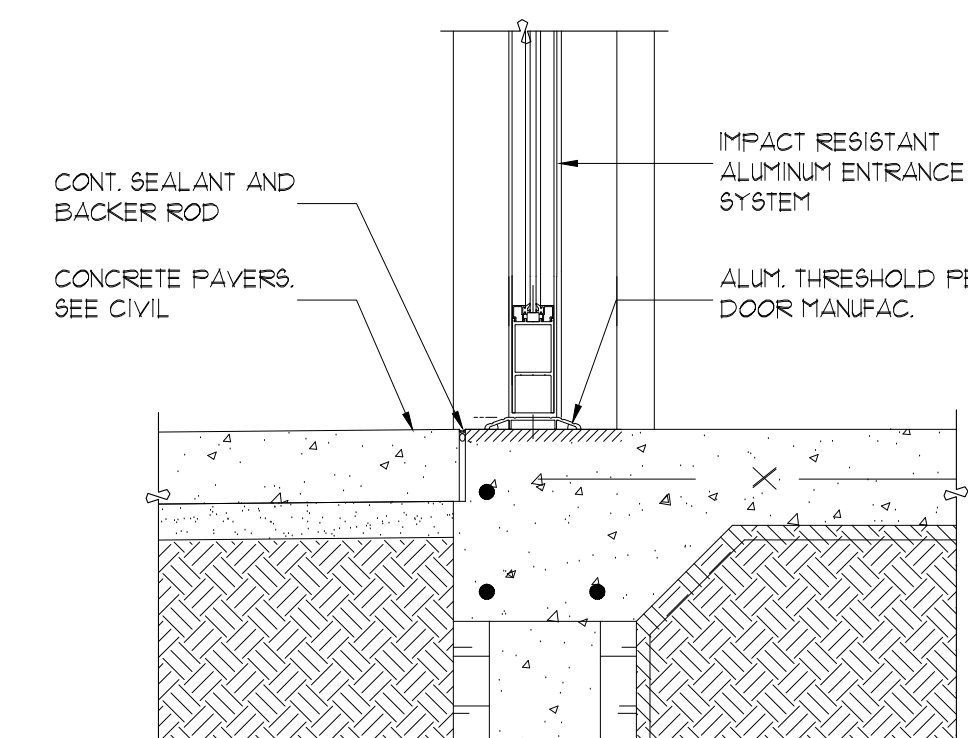
J-2 HOLLOW METAL JAMB - DOOR



S-2 HOLLOW METAL - DOOR



J-1 ALUMINUM - JAMB



S-1 ALUMINUM SILL - DOOR

HARDWARE SET 1

DOOR REAR EXIT DOOR

QUAN.	DESCRIPTION	MODEL NUMBER	FINISH	MANUF.
3	HINGE (HEAVY WEIGHT)	TA2314 x NRP4-4 1/2" x 4 1/2"	U832D	MK
1	EXIT DEVIE (EXIT ONLY)	HC438810	U832D	SA
1	DOOR CLOSER	1431 CFS	EN	SA
1	KICK PLATE	K1080 8' x 2" LDW	U832D	RO
1	THRESHOLD	2029AV x DOOR WIDTH	FE	FE
1	RAIN GUARD	346C x DOOR WIDTH PLUS 4"	FE	FE
1	GASKETING	303CS HEAD & JAMBS	FE	FE
1	SWEEP	315CN x DOOR WIDTH	FE	FE

NOTE: EXTERIOR DOORS AND HARDWARE TO COMPLY WITH FBC WINDSTORM REQUIREMENTS

MANUFACTURER LEGEND:
MK: MCKINNEY PRODUCTS
RO: ROCKWOOD MANUFACTURING
FE: FEMKO MANUFACTURING
SA: SARGENT

DOOR AND FRAME SCHEDULE

ROOM NAME	DOOR NO.	DOOR						FRAME						HARDWARE SET	REMARKS		
		WIDTH	HEIGHT	MAT	TYPE	FINISH	GLASS	LABEL	UC	MAT	TYPE	HEAD	JAMB			SILL	GLASS
RETAIL 1	1A	FR 3'-0"	7'-0"	ALUM	ALI	FF	1" INSULATED	-	-	AL	AL3	H-1	J-1	S-1	1" INSULATED	-	HARDWARE FROM DOOR MANUF.
RETAIL 1	1B	3'-0"	7'-0"	GHM	A	FF	-	-	-	GHM	GHM1	H-2	J-2	S-2	-	1	HARDWARE FROM DOOR MANUF.
RETAIL 2	2A	FR 3'-0"	7'-0"	ALUM	ALI	FF	1" INSULATED	-	-	AL	AL2	H-1	J-1	S-1	1" INSULATED	-	HARDWARE FROM DOOR MANUF.
RETAIL 2	2B	3'-0"	7'-0"	GHM	A	FF	-	-	-	GHM	GHM1	H-2	J-2	S-2	-	1	HARDWARE FROM DOOR MANUF.
RETAIL 3	3A	FR 3'-0"	7'-0"	ALUM	ALI	FF	1" INSULATED	-	-	AL	AL4	H-1	J-1	S-1	1" INSULATED	-	HARDWARE FROM DOOR MANUF.
RETAIL 3	3B	3'-0"	7'-0"	GHM	A	FF	-	-	-	GHM	GHM1	H-2	J-2	S-2	-	1	HARDWARE FROM DOOR MANUF.
RETAIL 4	4A	FR 3'-0"	7'-0"	ALUM	ALI	FF	1" INSULATED	-	-	AL	AL4	H-1	J-1	S-1	1" INSULATED	-	HARDWARE FROM DOOR MANUF.
RETAIL 4	4B	3'-0"	7'-0"	GHM	A	FF	-	-	-	GHM	GHM1	H-2	J-2	S-2	-	1	HARDWARE FROM DOOR MANUF.
RETAIL 5	5A	FR 3'-0"	7'-0"	ALUM	ALI	FF	1" INSULATED	-	-	AL	AL2	H-1	J-1	S-1	1" INSULATED	-	HARDWARE FROM DOOR MANUF.
RETAIL 5	5B	3'-0"	7'-0"	GHM	A	FF	-	-	-	GHM	GHM1	H-2	J-2	S-2	-	1	HARDWARE FROM DOOR MANUF.
RETAIL 6	6A	FR 3'-0"	7'-0"	ALUM	ALI	FF	1" INSULATED	-	-	AL	AL3	H-1	J-1	S-1	1" INSULATED	-	HARDWARE FROM DOOR MANUF.
RETAIL 6	6B	3'-0"	7'-0"	GHM	A	FF	-	-	-	GHM	GHM1	H-2	J-2	S-2	-	1	HARDWARE FROM DOOR MANUF.

GENERAL NOTES

- REFER TO FINISH HARDWARE SPEC. FOR HARDWARE SET NUMBERS
- REFER TO MECH. DWG TO LOCATE DOORS WITH UNDERCUT.
- REFER TO MECH. DWG FOR ACTUAL SIZES OF LOUVERS.
- GLAZING: GLASS IN ENTRANCES & STOREFRONTS SHALL BE FULLY TEMPERED (FT) SAFETY TYPE.
- WOOD DOORS SHALL HAVE LIFETIME GUARANTEE. GUARANTEE TO INCLUDE REHANGING OF DOORS AT NO COST TO THE UNIVERSITY.
- ALL EXTERIOR FRAMES MUST BE WEATHER-STRIPPED.
- ALL DOORS IN A FIRE RATED WALL ASSEMBLY IS TO RECEIVED DOOR CLOSER.

DOOR NOMENCLATURE

- DOOR ALPHANUMERIC
- 1000AB - NEXT SEQUENCE NUMBER FOR DOOR
- ROOM NO.
- AREA / SUITES ON THE FLR.
- FLOOR NO.

ABBREVIATIONS

WD	WOOD DOOR - SOLID CORE	IR	IMPACT RATED
GHM / GALV.	GALVANIZED HOLLOW METAL	CTG	CLEAR TEMPERED GLASS
HM	HOLLOW METAL	IRLG	IMPACT RATED LAMINATED GLASS
AL / ALUM	ALUMINUM STOREFRONT	TG	TEMPERED GLASS
FF	FACTORY FINISH		
P	PAINTED	FRW	FIRE RATED WALL WITH 60M LABEL ON DOORS & FRAMES, UON.
MS	MANUFACTURER STANDARD		
AD	AUTOMATIC DOOR OPENER FOR ADA	SRW	SMOKE RATED WALL WITH 20M LABEL ON DOORS & FRAMES, UON.
CR	CARD READER		
ES	ELECTRIC STRIKE		
RM	ROOM NUMBER		
FR	FRAM	EXIST	EXISTING DOOR/FRAME TO REMAIN
PH	PANIC HARDWARE		

WILLIAMSON DACAR ASSOCIATES
ARCHITECTURE / ENGINEERING / PLANNING
1599 CLEARWATER, FL 33766
PH (727) 725-0951 www.williamsdacar.com

Architect: AA 0002541
Engineering: EB 0006884

WELLINGTON GREEN PARCEL 'F'
PHASE II RETAIL 'H' MODIFICATION
PETITION NO. 16-18 (2016-08 ASA 53)
2545 SOUTH STATE ROAD 7
WELLINGTON, FLORIDA 33414

Revisions of Drawings

No.	Date	Revisions

Issues of Drawings

No.	Date	Issues
1	06.15.16	100%CD - PERMIT SET

Phase:
Checked:
Drawn: BDL
Drawing Title

DOOR & WINDOW SCHEDULE

WJA Proj. No.: 1526-01
Owner Proj. No.:
Scale: AS NOTED
Sheet No.

A7.1

No. of Sheets:

THIS DOCUMENT CONTAINS COPYRIGHTED MATERIAL AND TRADE SECRET INFORMATION BELONGING EXCLUSIVELY TO WILLIAMSON DACAR ASSOCIATES, INC. ANY UNAUTHORIZED USE, DISCLOSURE, REPRODUCTION OR DUPLICATION OF ANY OF THE INFORMATION CONTAINED HEREIN MAY RESULT IN LIABILITY UNDER APPLICABLE LAWS.