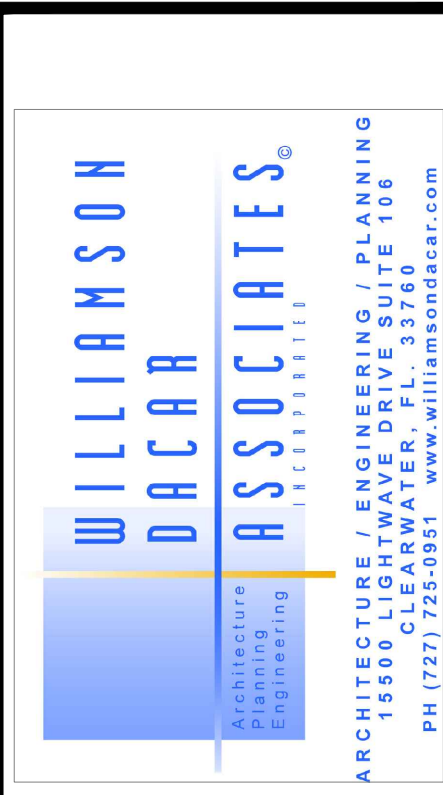
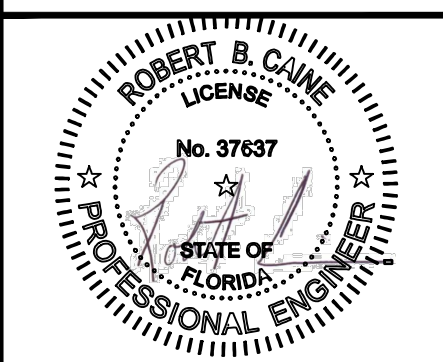
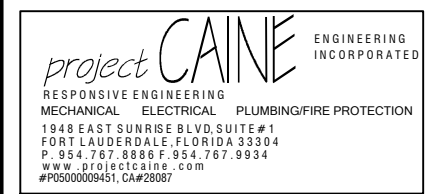


THIS DOCUMENT CONTAINS COPYRIGHTED MATERIAL AND TRADE SECRET INFORMATION BELONGING EXCLUSIVELY TO WILLIAMSON DACAR ASSOCIATES, INC. ANY REPRODUCTION OR TRANSMISSION OF THIS DOCUMENT WITHOUT THE WRITTEN PERMISSION OF WILLIAMSON DACAR ASSOCIATES, INC. IS STRICTLY PROHIBITED.



Architect: AA 0002541
Engineering: EB 0006884



WELLINGTON GREEN PARCEL 'F'
PHASE II RETAIL 'H' MODIFICATION
2546 SOUTH STATE ROAD 7
WELLINGTON, FLORIDA 33414

Revisions of Drawings

No.	Date	Revisions

Issues of Drawings

No.	Date	Issues
1	06.15.16	100% CD - PERMIT SET

Phase:
Checked:
Drawn: BDL
Drawing Title:

ELECTRICAL DETAILS

WDA Proj. No.: 1526-01
Owner Proj. No.:
Scale: AS NOTED
Sheet No.

E-6.1

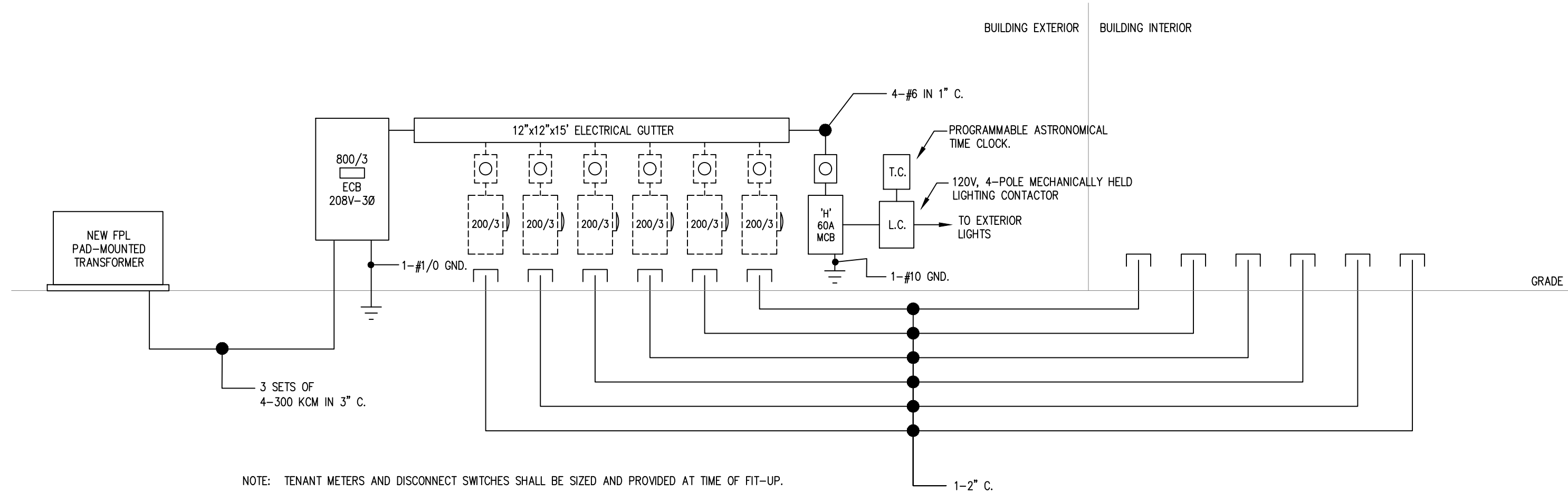
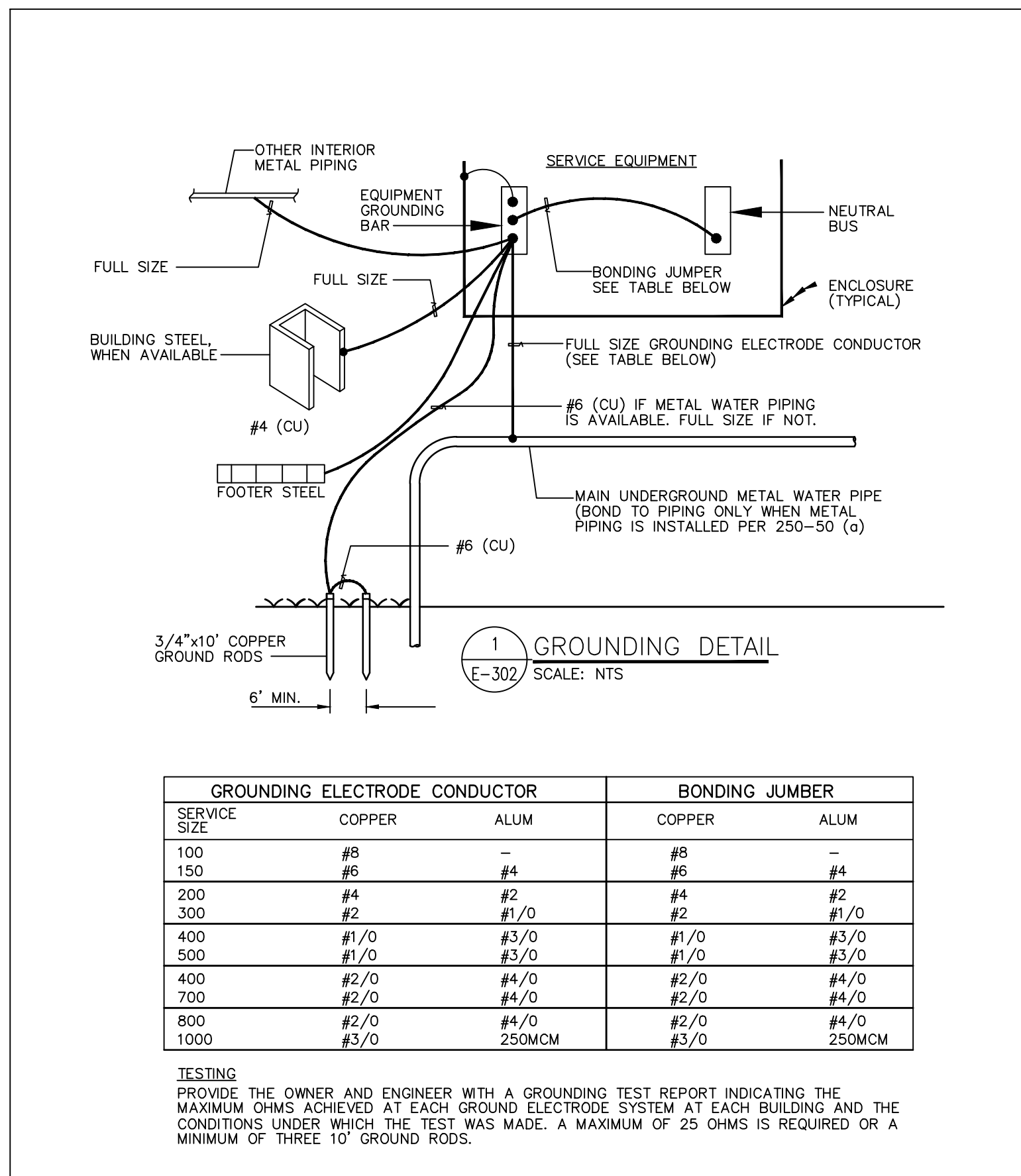
No. of Sheets:

NEW PANEL H															
MAINS:		60 MCB		VOLTAGE:		208/120		WIRE:		4		MOUNTING:		SURFACE	
BUS:		100 A		PHASE:		3		AIC:		10 kA		ENCLOSURE:		NEMA 3R	
CKT #	TRIP POLE	LOAD TYPE	AWG/ COND.	DESCRIPTION	CONNECTED LOAD KVA				DESCRIPTION	AWG/ COND.	LOAD TYPE	TRIP POLE	CKT #		
					KVA	PH A	PH B	PH C							
1	20/1	B	#12-3/4"	EXTERIOR RECS	0.8	0.8						20/1	2		
3	20/1	A	#12-3/4"	REAR EXTERIOR LTS	0.3		0.3					20/1	4		
5	20/1	A	#12-3/4"	FRONT EXTERIOR LTS	0.3			0.3				20/1	6		
7	20/1	A	#12-3/4"	CANOPY LTS	0.5	0.5							8		
9				SPACE									10		
11				SPACE									12		
13				SPACE									14		
15				SPACE									16		
17				SPACE									18		
19				SPACE									20		

Panel Load Analysis									
Load Type	Description	Conn. KVA	Demand KVA	2008 NEC Reference	Load Type	Description	Conn. KVA	Demand KVA	2008 NEC Reference
A	Lighting	1.1	1.3	Per NEC Table 220.12	E	Kitchen Equipment			Per NEC Table 220.56
B	Receptacles	0.8	0.8	Per NEC Table 220.44	F	Motor			Per NEC Table 430.22-28
C	Air-Conditioning			Per NEC Article 440.6	G	Other			
D	Heating			Per NEC Article 220.60					
Phase A Connected Load		1.3			Phase B Connected Load		0.3		
Phase B Connected Load		0.3			Phase C Connected Load		0.3		
TOTAL CONNECTED LOAD:				1.9 KVA	TOTAL DEMAND LOAD:				2.1 KVA
LOAD AMPS: 5.9									
LOCATION: REFER TO PLANS									

LUMINARY SCHEDULE									
REMODELING FOR WELLINGTON GREEN SHOPPING CENTER									
TYPE	DESCRIPTION	VOLTS	BALLAST TYPE	LAMPS OR TUBES		TOTAL WATTS	MFTR	CATALOG NBR	REMARKS
				NO.	WATTS				
A	Wall Sconce	120	LED	1	26	26	LED	Bega 33-592	
B	Wall Sconce	120	LED	1	13	13	LED	Bega 33-581	
BE	Wall Sconce	120	LED	1	13	13	LED	Bega 33-581	With Emergency Battery
C	Recessed Downlight	120	Verify	1	50	50 Max	Verify		Specified By Owner
CE	Recessed Downlight	120	Verify	1	50	50 Max	Verify		Specified By Owner
EMX	Exit/Emergency Combo	120/12	LED	1	5	5	LED	Lithonia LHQM-LED-R	

NOTES:
1. Provide all lighting fixtures as specified. Should there be any discrepancies between the schedule, drawings, etc., contractor shall notify architect/design engineer in writing prior to purchase & rough-in.



1 ELECTRICAL RISER DIAGRAM
E-6.1 SCALE: NTS