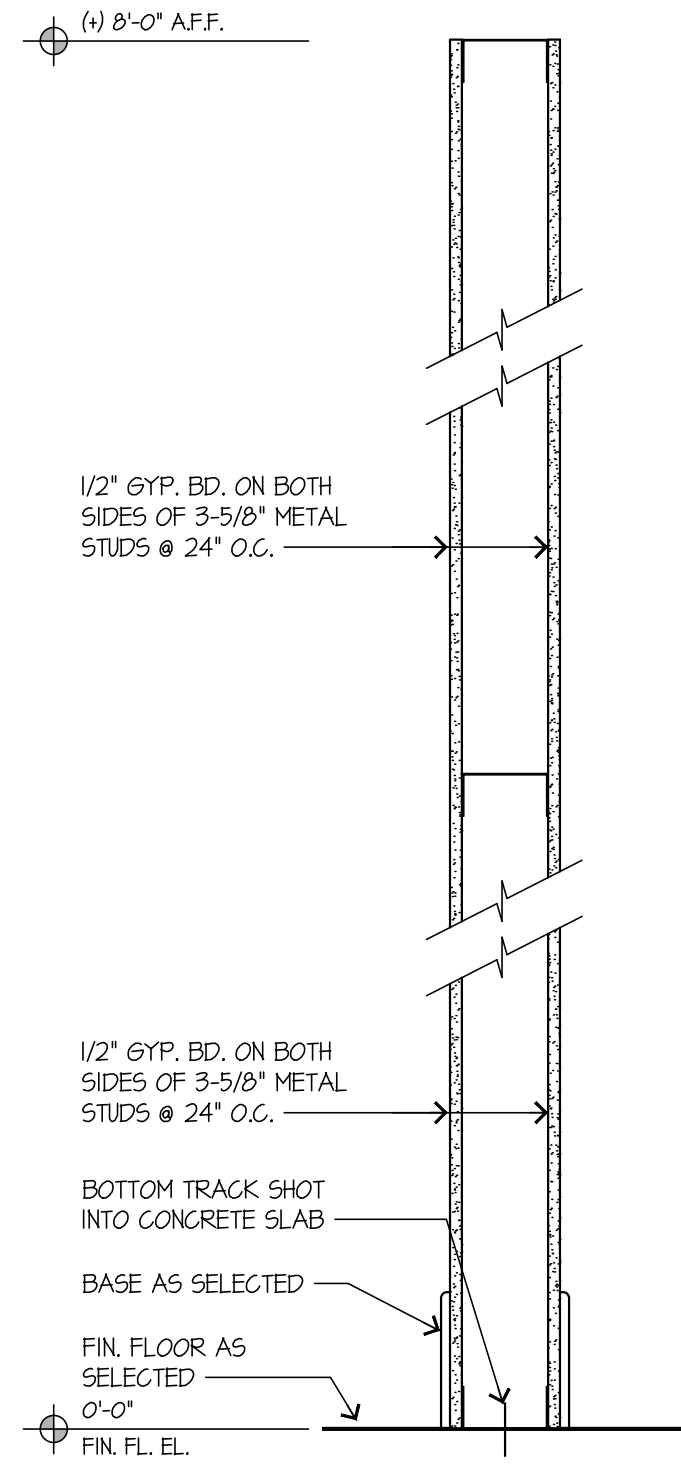
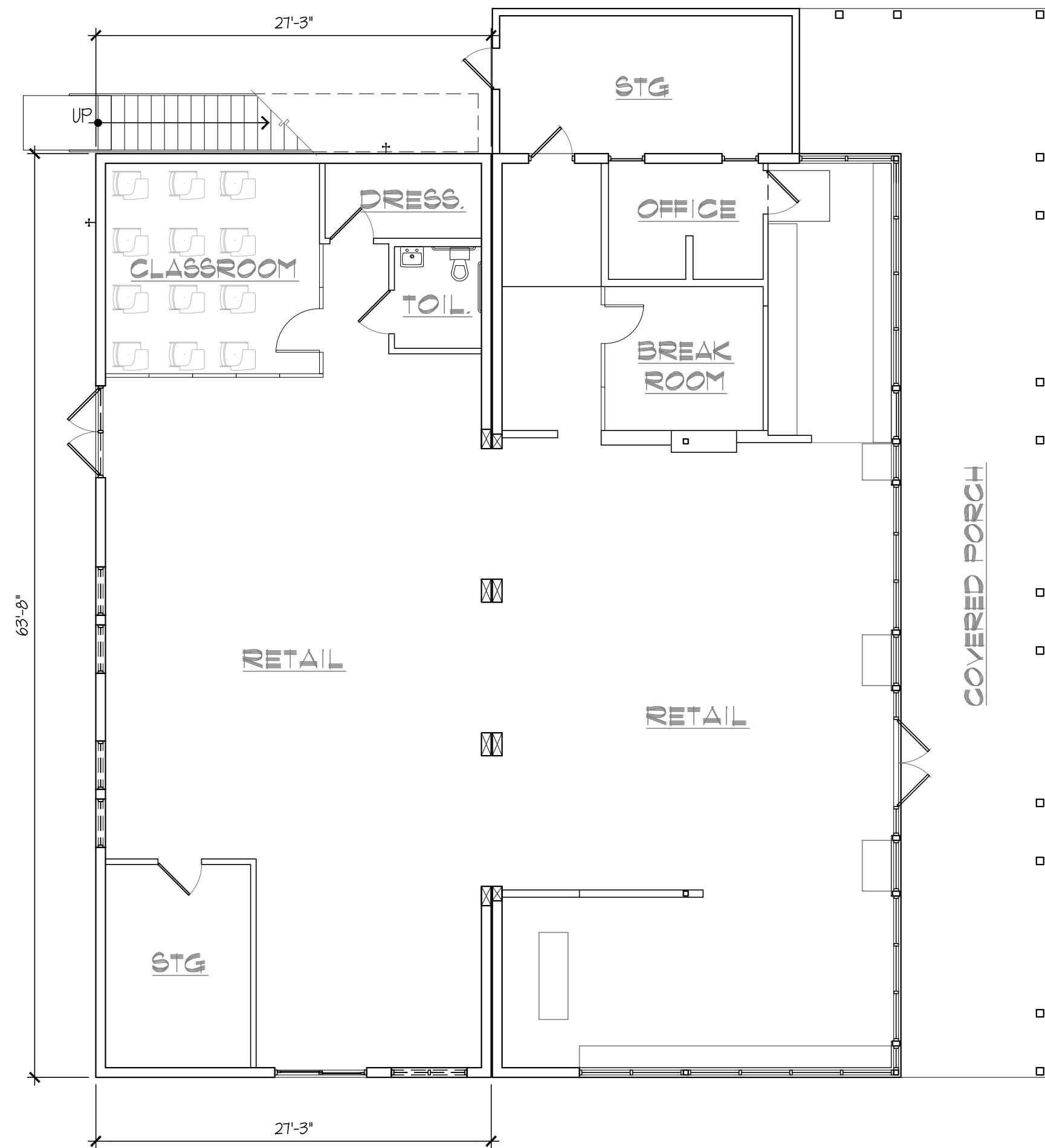


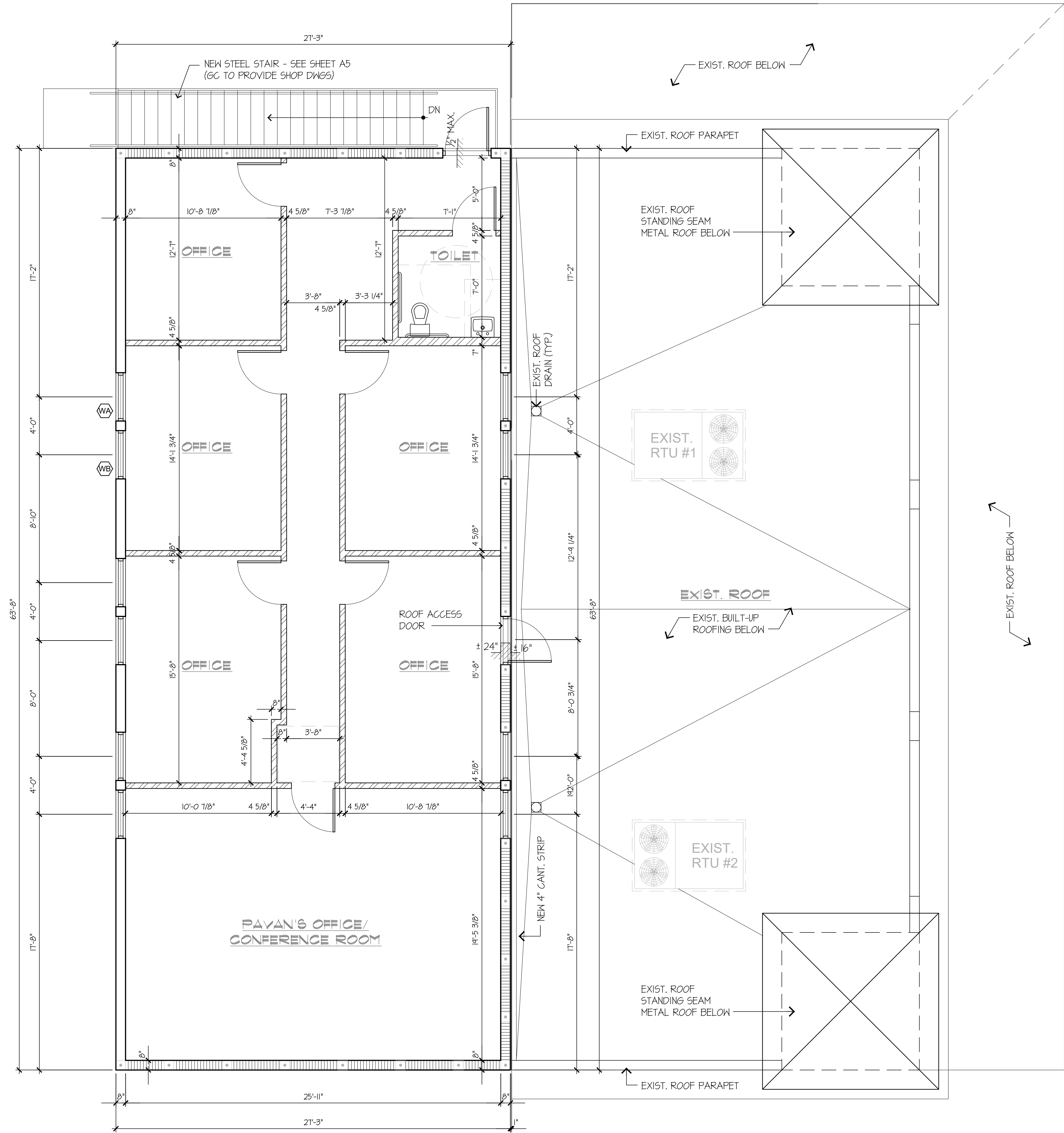
WALL LEGEND	
	NOT USED
	EXISTING EXTERIOR WALL
	EXISTING INTERIOR WALL
	NEW CMU WALL
	NEW FRAME WALL
	ABOVE/BELOW
	EXISTING GLASS/WINDOW
	NEW GLASS/WINDOW



**AI.03 INT. WALL SECTION**  
SCALE: 1-1/2"=1'-0"



**AI.02 EXIST. FIRST FLOOR PLAN**  
SCALE: 1/8"=1'-0"



**AI.01 SECOND FLOOR PLAN**  
SCALE: 1/4"=1'-0"



**DeMELLO ARCHITECTURE**  
MEMBER: AMERICAN INSTITUTE OF ARCHITECTS  
AA26001907 No. 15299  
911 Southwest 18 Street, Boca Raton, Florida 33486  
954 671 0203 Fax 954 418 0022

All ideas and designs indicated or represented by this drawing are the property of DeMELLO ARCHITECTURE and were created and developed for use in connection with the specific project. None of such ideas and designs shall be used by or disclosed to any person or corporation for any purpose whatsoever without written permission of this office.

SECOND FLOOR ADDITION FOR  
**DIXIE DIVERS**  
455 U.S. HIGHWAY #1  
DEERFIELD BEACH, FL.  
drawing name:  
FIRST FLOOR PLAN, SECOND FLOOR PLAN AND LEGEND

revisions	
designed	H. DeMello
drawn	H. DeMello
date	AUG. 21, 2015
scale	AS SHOWN
project #	15136
sheet	

