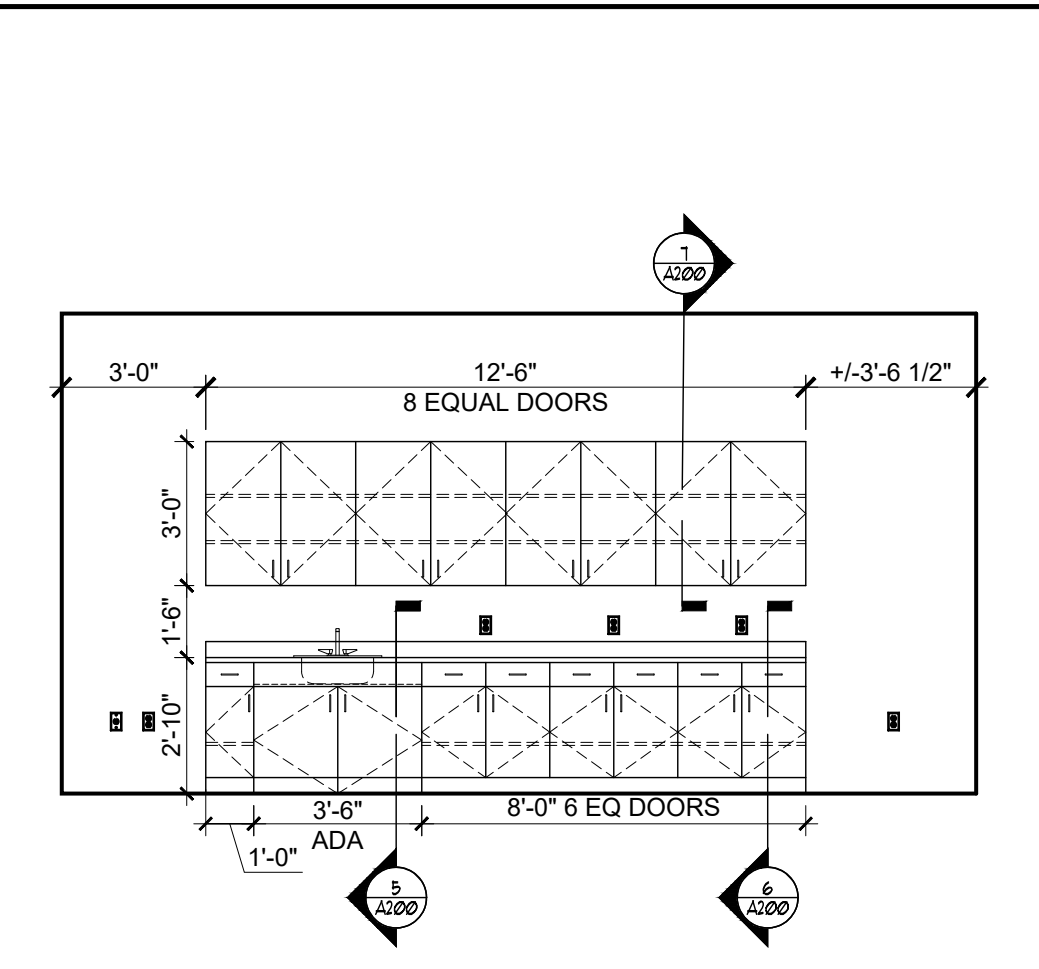
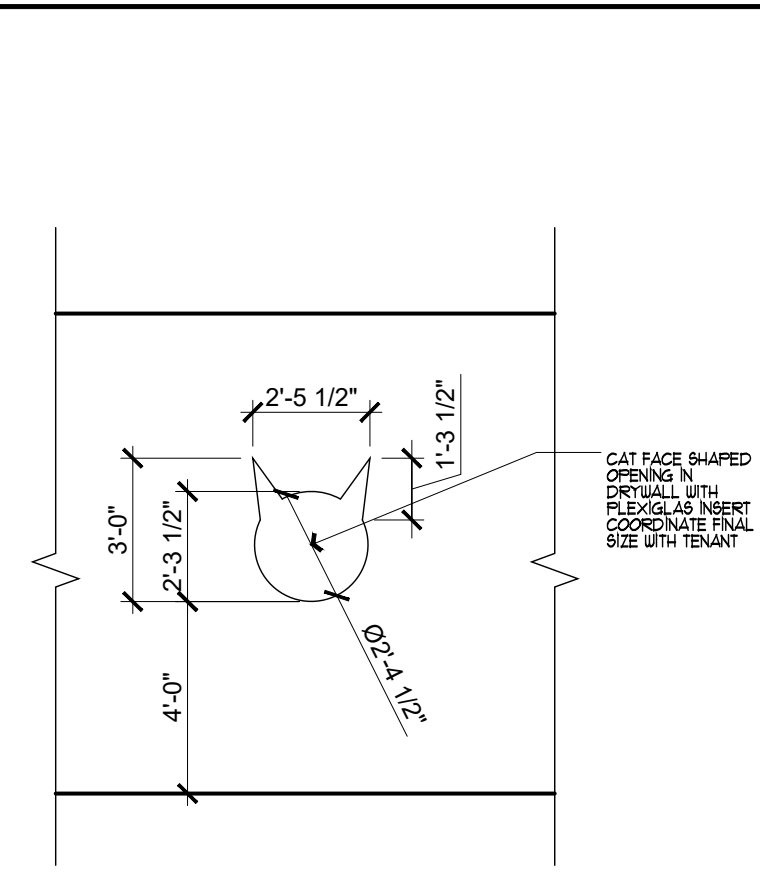


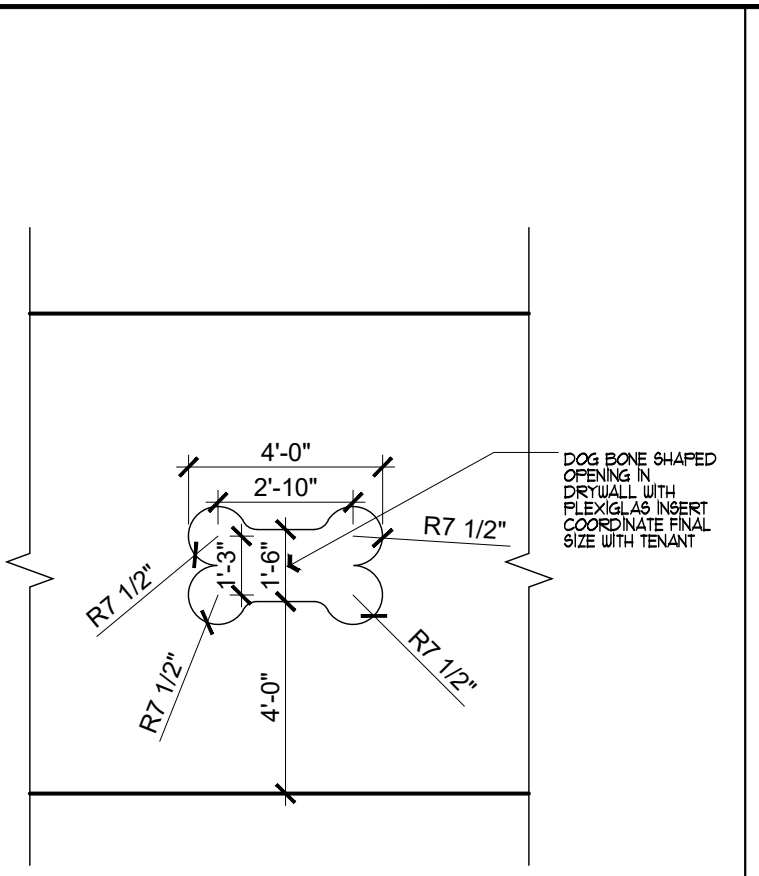
**SECTION: LOWER CABINET W/SINK**  
SCALE: N.T.S. **5**



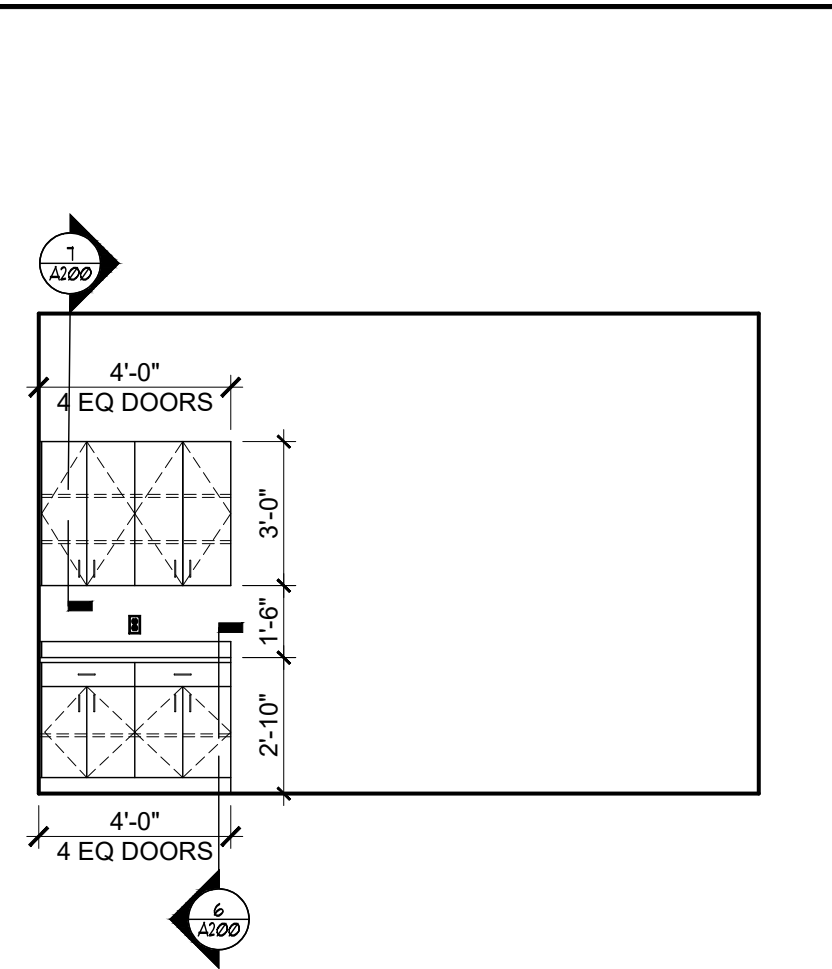
**ELEVATION AT BREAK ROOM**  
SCALE: 1/4"=1'-0" **4**



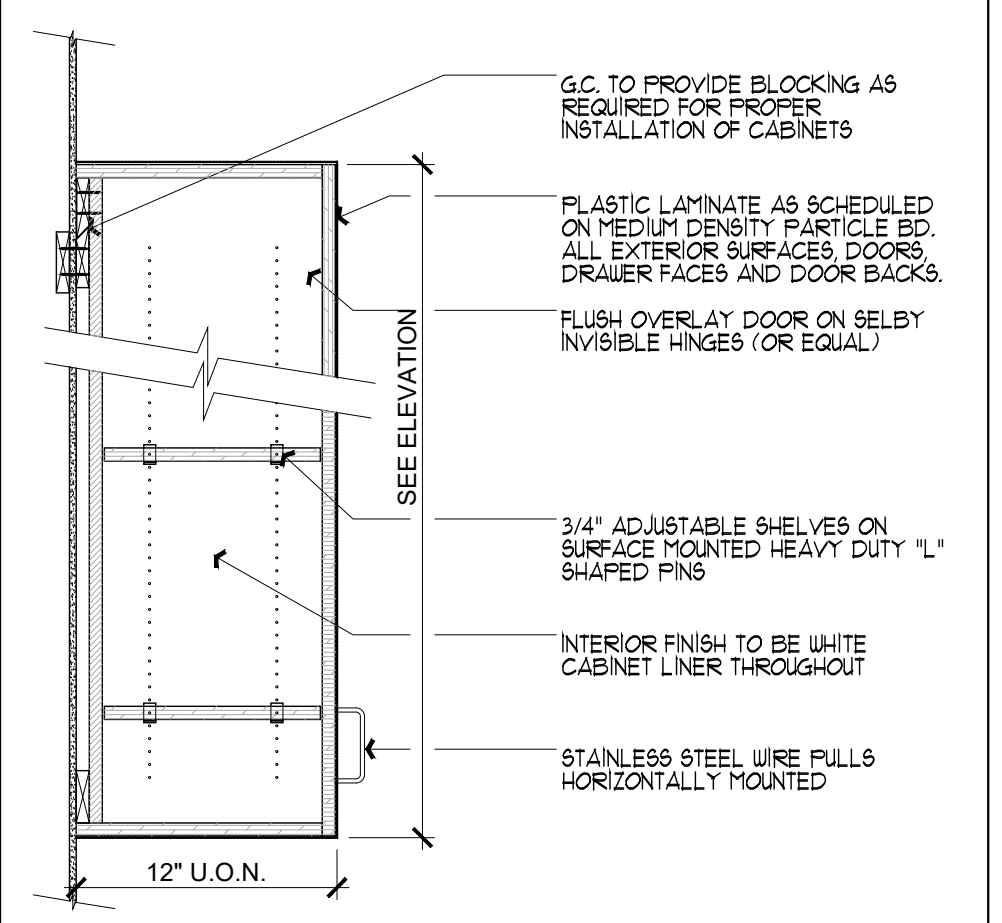
**ELEVATION AT CAT FACE**  
SCALE: 1/4"=1'-0" **3**



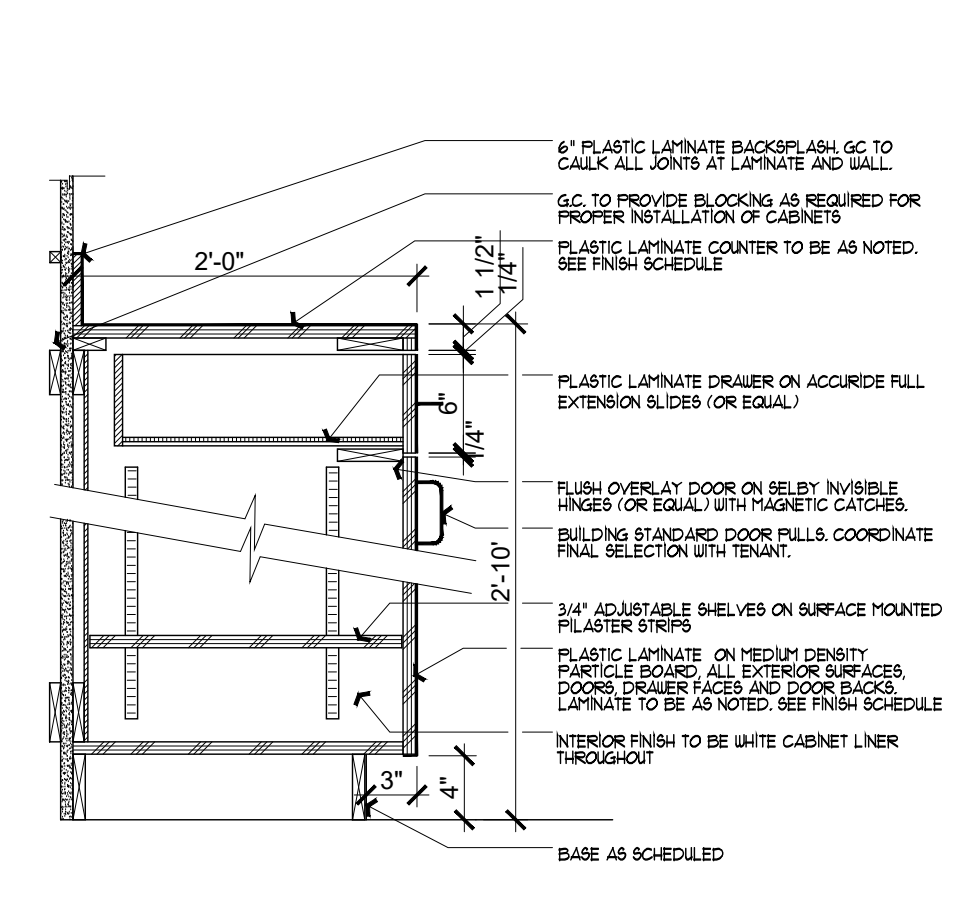
**ELEVATION AT DOG BONE**  
SCALE: 1/4"=1'-0" **2**



**ELEVATION AT CAT ROOM**  
SCALE: 1/4"=1'-0" **1**



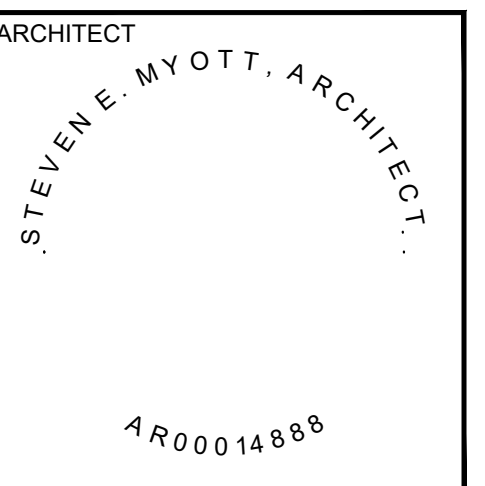
**SECTION: UPPER CABINET**  
SCALE: N.T.S. **7**



**SECTION AT LOWER CABINET**  
SCALE: N.T.S. **6**



**Camp Canine**  
- INTERIOR RENOVATION -  
PENN DUTCH PLAZA  
3191 SR7  
MARGATE, FLORIDA 33063



ALL DRAWINGS AND WRITTEN MATERIAL APPEARING HEREIN CONSTITUTE ORIGINAL AND UNPUBLISHED WORK OF THE ARCHITECT AND MAY NOT BE USED, REPRODUCED OR DISSEMINATED IN ANY FORM WITHOUT THE EXPRESSED WRITTEN CONSENT OF THE ARCHITECT.

PROJECT NO: 16.049  
DRAWN BY: SV  
CHECKED BY: SM

NO. DATE: ISSUED FOR:  
1 05.10.2016 PRELIMINARY REVIEW

**ELEVATIONS  
MILLWORK  
DETAILS**

**A200**