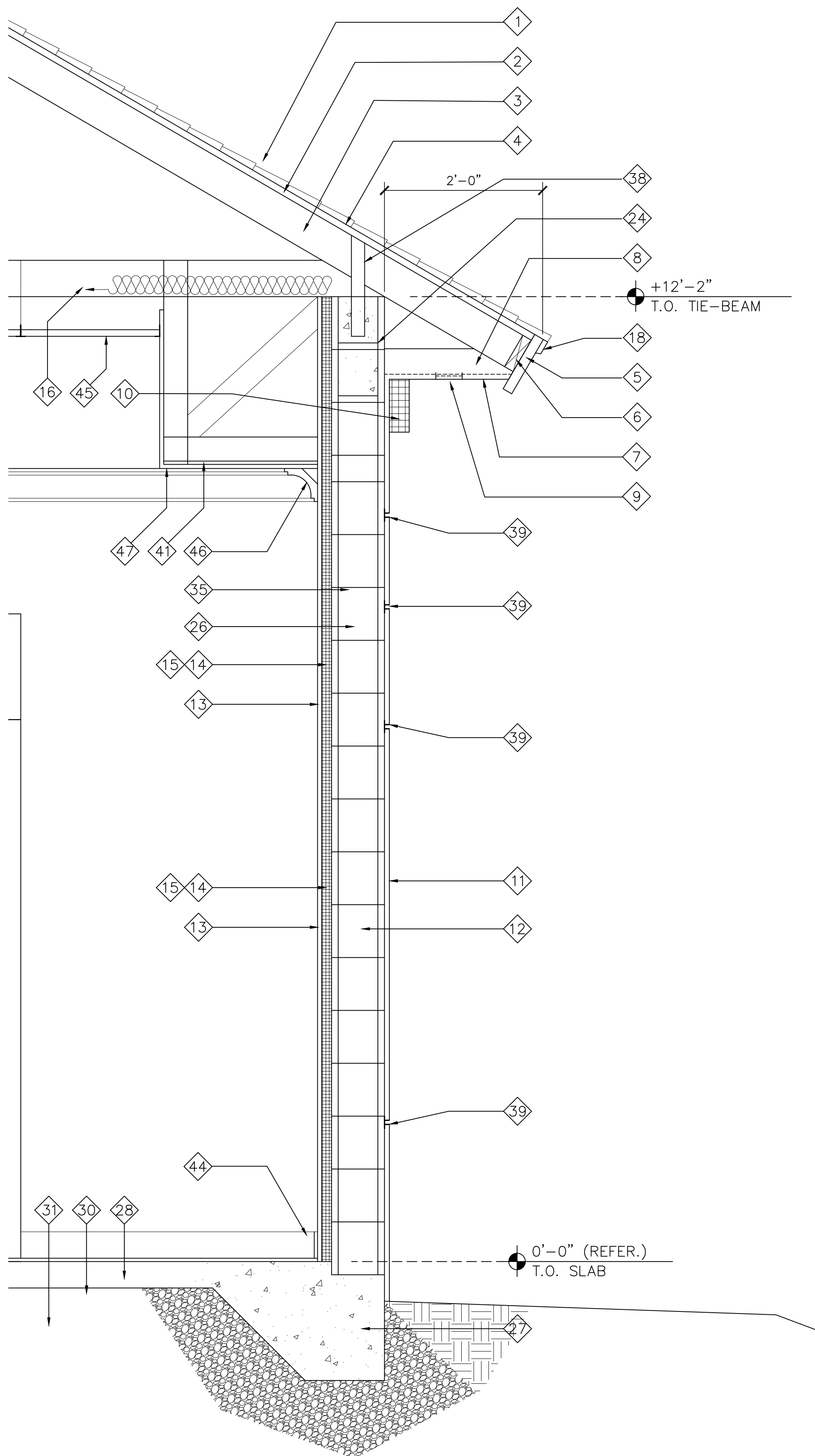


1 WALL SECTION  
A551 CLUBHOUSE BUILDING SCALE: 1" = 1'-0"



2 SECTION  
A551 CLUBHOUSE BUILDING SCALE: 1" = 1'-0"

WALL SECTION LEGEND	
1	CEMENT TILE ROOF SYST. TO MATCH EXISTING ATT. OVER 90 LB. ROOFING MEMBRANE. HOT-MOP ADHESIVE ADHERED TO 30 LB. ROOFING FELT UNDERLAYMENT TIN-TAG NAIL ATT. TO PLYWD. SHEATHING PER ROOF SYST. MFR. INSTRUCTIONS & N.O.A. TYP.
2	5/8" FIRE RETARDANT CDX PLYWD. NAIL ATT. TO TRUSS SYST., TYP. (SEE 'S' DWGS.)
3	PRE-FAB. ENGINEERED WOOD ROOF TRUSS SYST. ATT. TO BLDG. STRUCTURE. TYP. (SEE 'S' DWGS.) (SUBMIT COMPLETE SHOP DWGS. FROM SPECIALTY ENGINEER FOR PRE-APPROVAL.)
4	#30 ASPHALT IMPREGNATED FELT TIN-TAG NAIL ATT. TO PLYWD PER ROOF SYST. MFR. INSTRUCTIONS & N.O.A. TYP.
5	ALUM. FASCIA COVER WITH SHOP POWDER-COAT PAINT FIN. ATT. TO DBL. 3/4" CDX PLYWD. FASCIA OF HT. TO MATCH EXISTING. ATT. TO TRUSS SYST. HEEL CLOSURE 2x SUB-FASCIA. TYP.
6	TRUSS SYST. HEEL (OR OUTRIGGER) 2x CLOSURE SUB-FASCIA. ATT. TO TRUSS TOP-CHORD EXTENSIONS AS DESIGNED BY TRUSS SPECIALTY ENGINEER. TYP.
7	SOFFIT 3/4" STUCCO SOFFIT ON GALV. HIGH-RIB METAL LATH ATT. TO 1 5/8"x20 GA. GALV. METAL FURRING CHANNELS @ 12" O.C. MAX. ATT. TO 2x P.T. WOOD STUD SOFFIT FRAME-DOWN. TYP.
8	2x P.T. WOOD STUD SOFFIT FRAME-DOWN ATT. TO BLDG. STRUCTURE. TYP. (SEE 'S' DRAWINGS)
9	3" ALUM. SOFFIT VENT WITH STUCCO-STOP SIDES & SHOP POWDER-COAT PAINT FIN. TYP.
10	10" H. X 3" RAISED E.I.F.S. BAND W/ SMOOTH STUCCO FINISH OVER GLASS-FIBER MESH W/ PAINT FINISH. TYP.
11	5/8" STUCCO WITH PAINT FINISH OVER CEMENTITIOUS WATERPROOFING SYST. THORO-SEAL (W/ ACRYL. 60) OVER ALL EXTERIOR SIDE. CONCRETE OR MAS. TYPICAL.
12	NOM. 8" REINFORCED C.M.U. WALL CONSTRUCTION IN RUNNING BOND WITH KEED CORNERS. TYP. (SEE 'S' DWGS.)
13	5/8" G.W.B. WITH PAINT FIN. ATT. TO GALV. METAL STUD FRAMING OR FURRING PER MFR. INSTRUCTIONS. TYP.
14	FURRING 1 5/8" GALV. METAL 2-FURRING PER MFR. INSTRUCTIONS. TYP.
15	1 1/2" - R-10.8 FOIL-FACED POLY-ISO BOARD INSULATION PER MFR. INSTRUCTIONS. TYP.
16	6" THK. R-18 PAPER-BACKED FIBERGLASS BATT TERMAL INSULATION BTWN. TRUSSES. TYP.
17	2x P.T. WOOD JOISTS ATT. TO WALL STRUCTURE OR BEAM. TYP. (SEE 'S' DWGS.)
18	ALUM. DRIP-EDGE FLASHING W/ SHOP POWDER-COAT PAINT FIN. ATT. TO PLYWD. PER ROOF SYST. MFR. INSTRUCTIONS & N.O.A. TYP.
19	2-PIECE ALUM. FLASHING & COUNTER-FLASHING W/ SHOP POWDER-COAT PAINT FIN. PER ROOF SYST. MFR. INSTRUCTIONS & N.O.A. @ ROOF TO WALL INTERSECTIONS. TYP.
20	3/4" STUCCO W/ 2-COAT PAINT FIN. OVER GALV. PAPER-BACKED METAL LATH ATT. TO PLYWD. TYP.
21	3-PLY MODIFIED BITUMENOUS LOW-SLOPED ROOF SYST. HOT-MOPPED OVER TAPERED POLY-ISO BOARD INSULATION ATT. TO PLYWD. SHEATHING PER MFR. INSTRUCTIONS & N.O.A. TYP.
22	ALUM. BREAK-METAL FLASHING W/ SHOP POWDER-COAT PAINT FIN. PER ROOF SYST. MFR. INSTRUCTIONS & N.O.A. @ SLOPED TILE ROOF TO LOW-SLOPED 3-PLY MODIFIED BIT. ROOF. TYP.
23	C.I.P. REINFORCED CONC. BEAM. TYP. (SEE 'S' DWGS.)
24	GROUT FILLED REINFORCED C.M.U. TIE-BEAM. TYP. (SEE 'S' DWGS.)
25	C.I.P. REINFORCED CONC. SILL. TYP. (SEE 'S' DWGS.)
26	GROUT FILLED REINFORCED C.M.U. LINTEL. TYP. (SEE 'S' DWGS.)
27	C.I.P. CONC. FOOTING MOMOLITHIC W/ SLAB. TYP. (SEE 'S' DWGS.)
28	4" THK. C.I.P. CONC. SLAB ON GRADE W/ CONTROL JOINTS. TYP. (SEE 'S' DWGS.)
29	1/4" THK. x CONT. BITUMENOUS FILLER STRIP. TYP.
30	10 MIL POLYETHYLENE VAPOR BARRIER CONT. TYP.
31	CLEAN TERMITE TREATED BUILDING PAD FILL COMPACTED TO DENSITY REQUIRED BY GEOTECHNICAL ENGINEER. TYP.
32	4" THK. LIGHT BROOM-FINISH CONCRETE SIDEWALK W/ FIBER-MESH REINFORCEMENT W/ CONTROL & EXPANSION JOINTS OVER CLEAN COMPACTED FILL. TYP. (SEE 'C' DWGS.)
33	.050" ALUM. PAN FLASHING @ WINDOW SILLS W/ WELDED END DAMS & SHOP POWDER-COAT PAINT FIN. TO MATCH WINDOW FRAMES SET IN FULL SEALANT BED. TYP.
34	ALUM. FRAMED W/ SHOP POWDER-COAT PAINT FIN. & LT. GRAY TINTED (U-63) LAMINATED GLASS IMPACT RATED STOREFRONT ENTRY DOOR & FRAME PER MFR. & N.O.A. TYP.
35	ALUM. FRAMED W/ SHOP POWDER-COAT PAINT FIN. & LT. GRAY TINTED (U-63) LAMINATED GLASS IMPACT RATED STOREFRONT WINDOW PER MFR. & N.O.A. TYP.
36	EXTERIOR INSULATED HOLLOW MTL. DOOR & FRAME W/ SHOP PRIME COAT & FIELD PAINT TO MATCH WALLS, ANCHOR TO BLDG. STRUCTURE PER MFR. & N.O.A. TYP.
37	CONT. SEALANT BEAD. TYP. (SEE SPECS.)
38	TRUSS OR JOIST GALV. MTL. HOLD-DOWN ANCHOR ATT. TO BLDG. STRUCTURE. TYP. (SEE 'S' DWGS.)
39	5/8" H. X 5/8" D. x CONT. PAINTABLE VINYL REGLET (REVEAL HORIZ. & VERTICAL CONTROL JOINT. ATT. TO C.M.U. PER MFR. INSTRUCTIONS. TYP.
40	LT. GAUGE GALV. STEEL STUD FRAMING. ATT. TO BLDG. STRUCTURE PER MFR. INSTRUCTIONS. TYP. (SEE 'S' DWGS. & WALL TYPES)
41	CEILING FURRING. 7/8" GALV. MTL. FURRING HAT-CHANNELS @ 24" O.C. MIN. ATTACHED TO TRUSSES PER MFR. TYP.
42	SOLID CORE WOOD DOOR & FRAME. TYP.
43	FLOOR FIN. TYP. (SEE SCHEDULE)
44	BASE. TYP. (SEE SCHEDULE)
45	ACOUSTIC TILE & SUSPENDED METAL GRID CEILING SYST. PER MFR. INSTRUCTIONS. TYP. (SEE 'D' DWGS.)
46	WOOD CROWN MOLDING ATT. OVER FINISH TO WALL FRAMING OR FURRING. TYP. (SEE 'D' DWGS.)
47	3/4" G.W.B. W/ PAINT FIN. ATT. TO GALV. MTL. STUD FRAME-DOWN SOFFIT OR HEADER ATT. TO BLDG. STRUCTURE PER MFR. INSTRUCTIONS. TYP.

REVISIONS	BY

**Slattery & Associates**  
ARCHITECTS  
PLANNERS  
2060 NW BOCA RATON BLVD.  
SUITE 2  
BOCA RATON, FL 33431  
TEL: 561-392-3848  
FAX: 561-392-5402  
WWW.SLATTERYARCHITECTS.COM

**WOODFIELD HUNT CLUB  
CLUBHOUSE RENOVATION  
AND EXPANSION**  
4420 WOODFIELD BLVD.  
BOCA RATON, FLORIDA

DATE OF SEAL: 7-27-16  
SLATTERY & ASSOCIATES  
FLORIDA REGISTRATION # AA0003381

WALL SECTIONS

DRAWN	CR, DR
CHECKED	CR
DATE	7-21-16
SCALE	AS NOTED
JOB NO.	2014-33
SHEET	A551

C.D. - 7-21-16