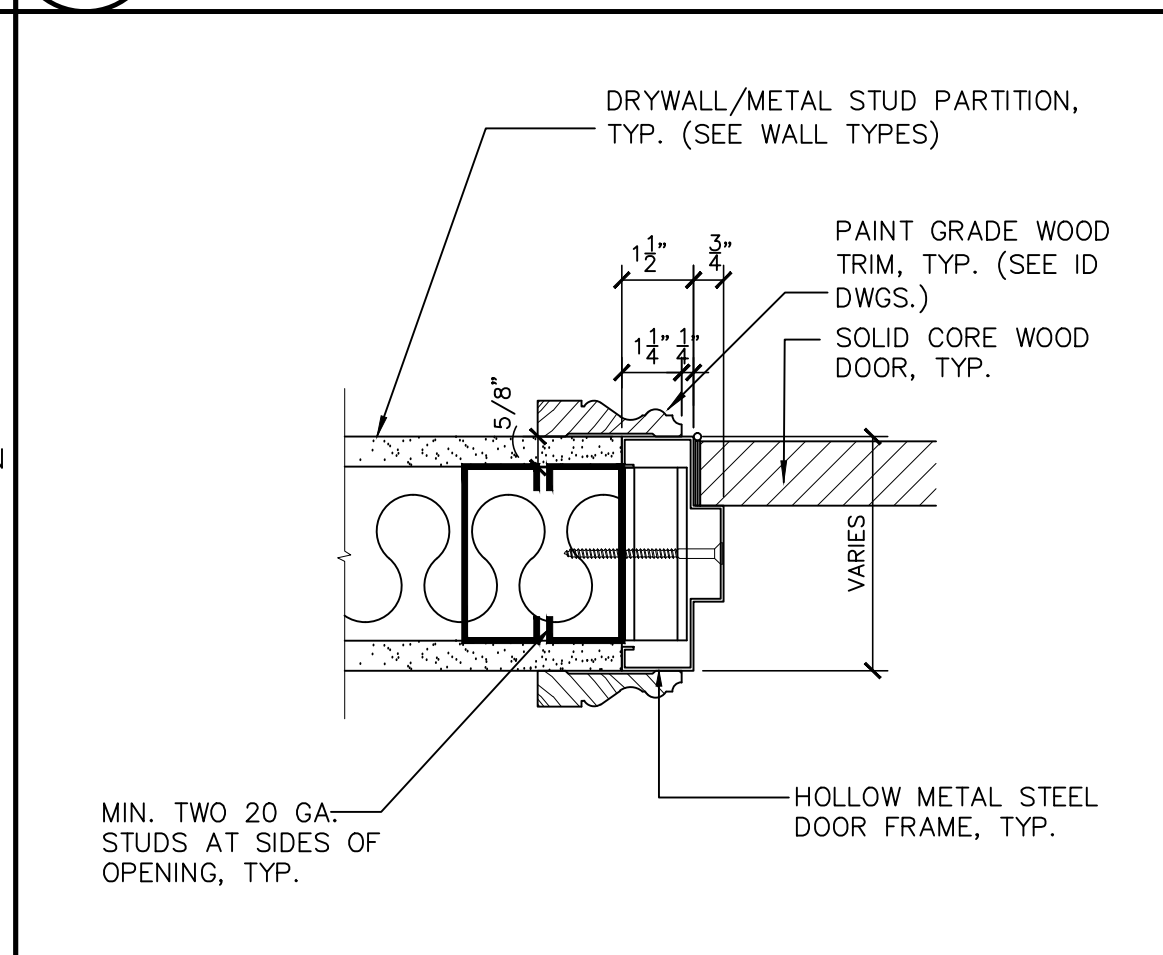
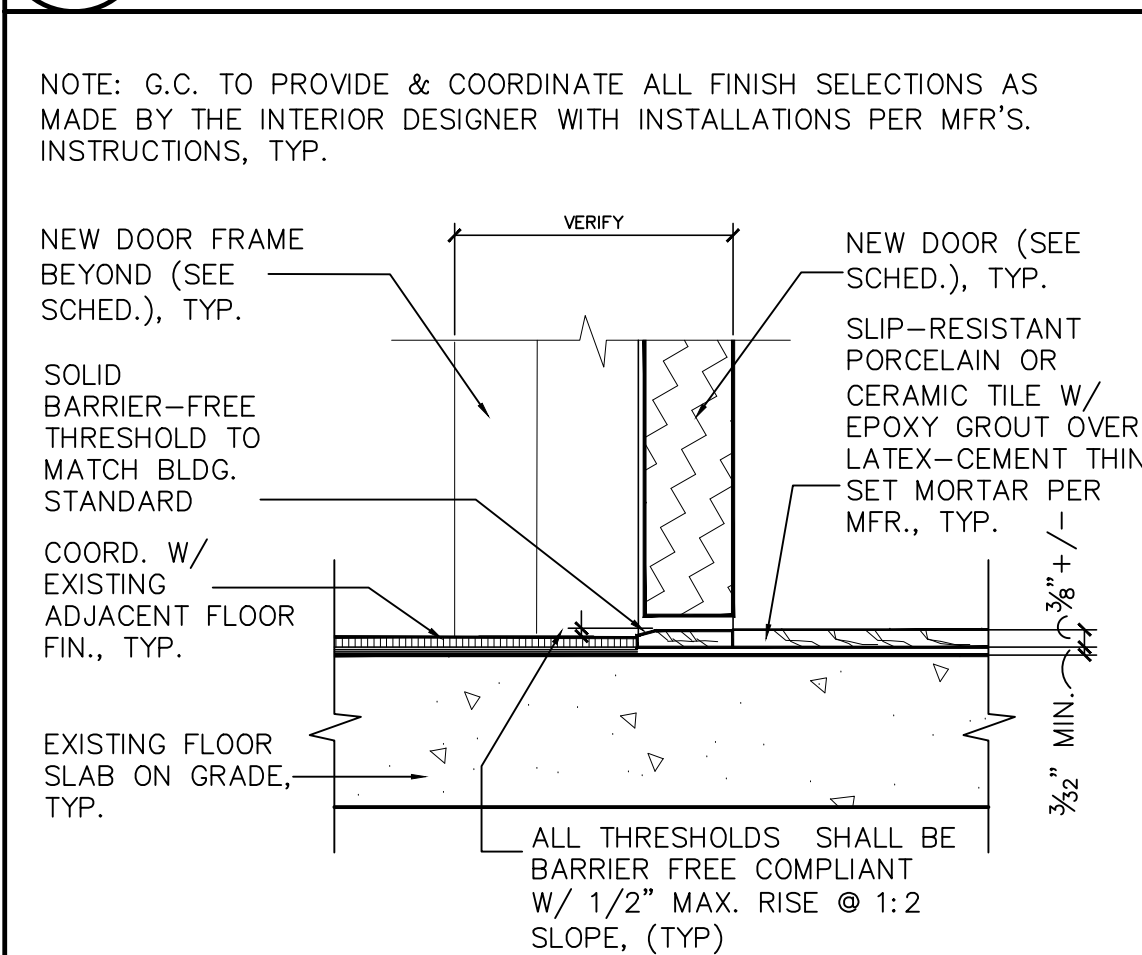


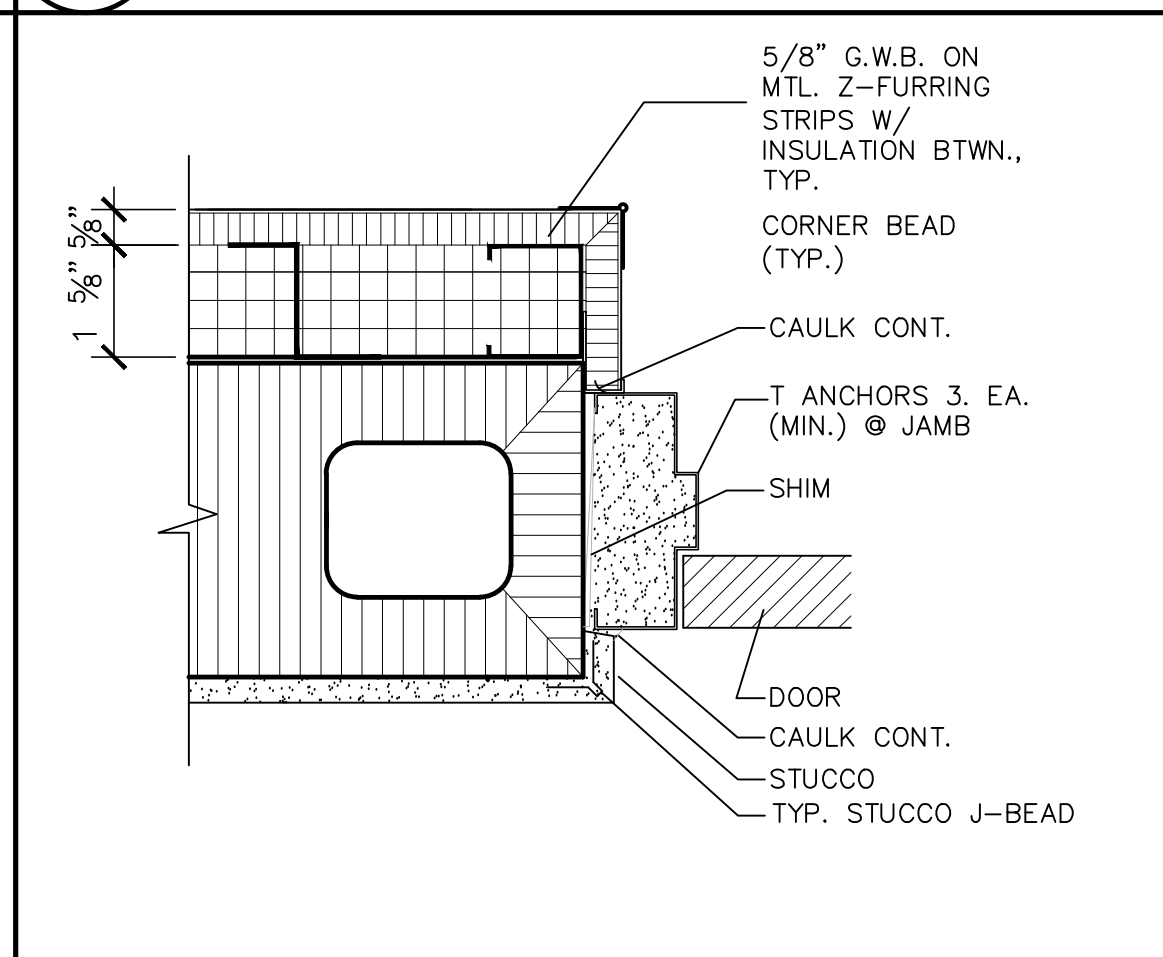
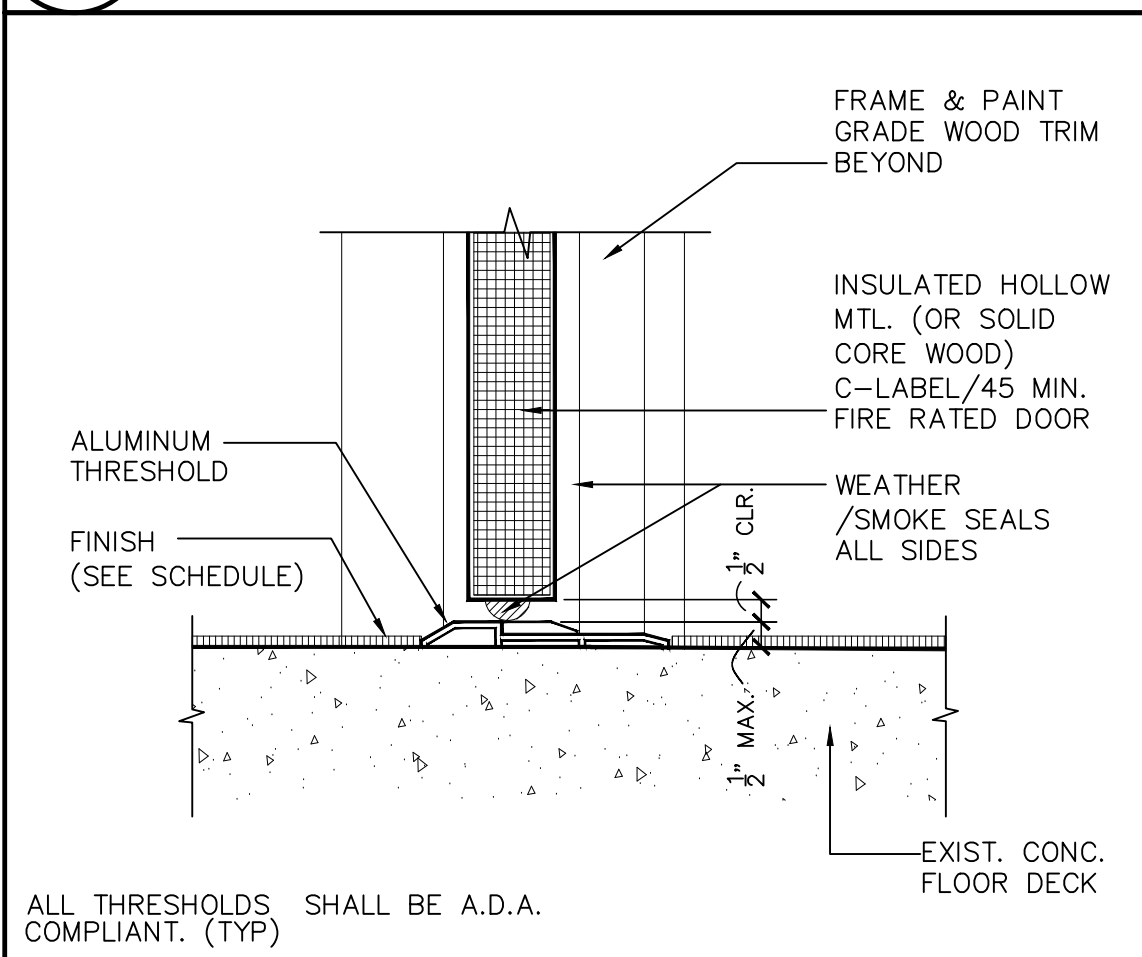
1 INT. WOOD DOOR DETAIL
A901 SCALE: 3"=1'-0"

2 THRESHOLD
A901 SCALE: NOT TO SCALE



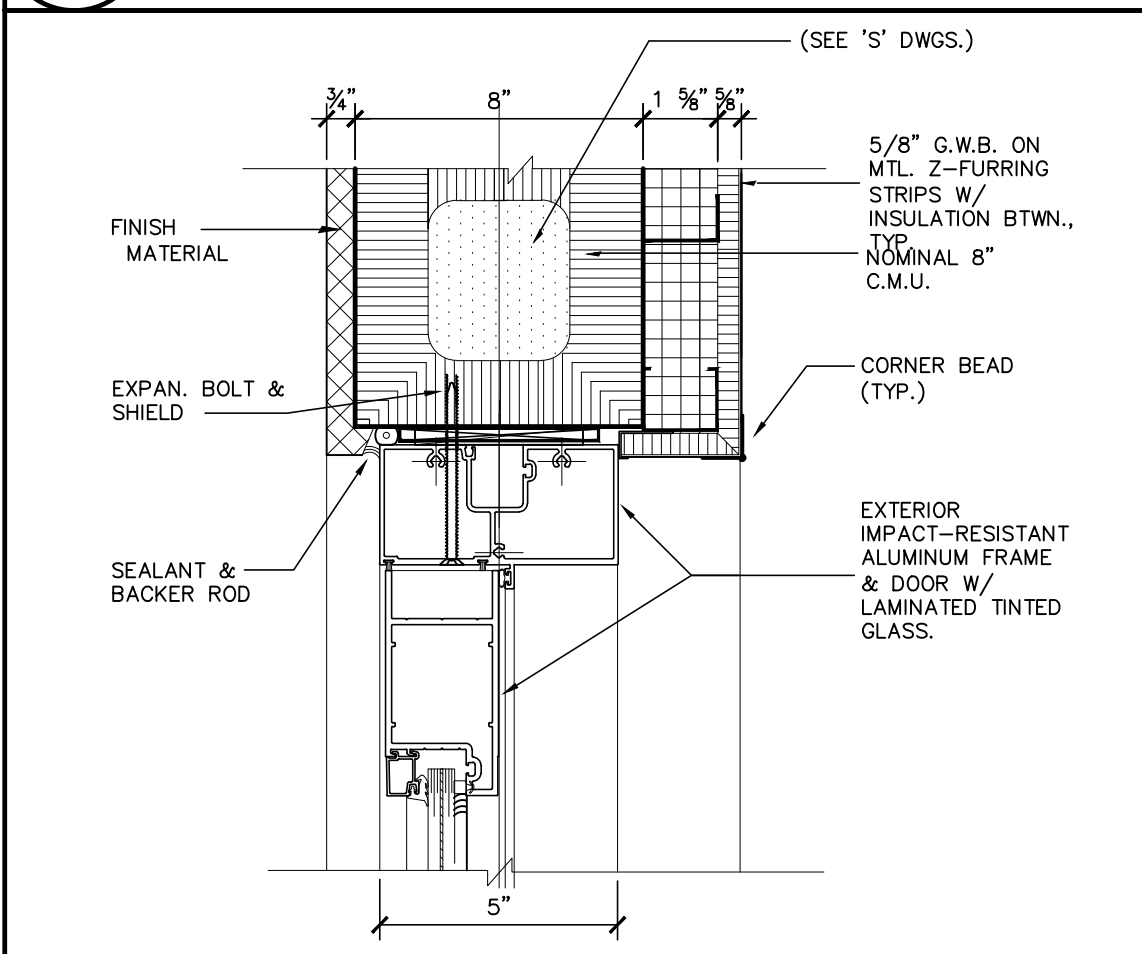
3 THRESHOLD
A901 SCALE: NOT TO SCALE

4 DOOR JAMB/HEAD (SIM.)
A901 SCALE: 3"=1'-0"



5 THRESHOLD
A901 SCALE: 3"=1'-0"

6 JAMB DETAIL
A904



DOOR & HARDWARE NOTES:

- GC & DOOR HARDWARE VENDOR TO COORDINATE KEYING WITH OVERALL BUILDING SYSTEM INCLUDING HEIRARCHY INDICATED BY THE OWNER, & ARCHITECT.
- GC TO PROVIDE COMPLETE HARDWARE SCHEDULES & PRODUCT DATA CUT SHEET SUBMITTAL FOR PRE-APPROVAL BY ARCHITECT.
- GC & DOOR VENDOR ARE TO FIELD MEASURE ALL DOOR OPENING LOCATIONS PRIOR TO FABRICATION, TYP.
- PROVIDE SCHLAGE OR HARDWARE MFR. NOTED OR EQUAL AS APPROVED BY THE ARCHITECT.
- ALL FINISH SELECTIONS & COLORS TO BE APPROVED BY THE ARCHITECT & INTERIOR DESIGNER.
- ALL HOLLOW MTL. DOORS TO BE 16 GAUGE, SHOP/FACORY PRIMED & FIELD PAINTED TO MATCH EXISTING SIMILAR.
- ALL STAIN-GRADE VENEER WOOD DOORS & FRAMES TO BE CLASS-A FINISH BOOK-MATCHED SHOP/FACORY PREP'D, & STAINED TO MATCH. ALL PAINT GRADE DOORS & FRAMES TO BE FACTORY / SHOP CLASS-A FINISH ROLL-PRIMED & ROLL-PAINTED TO MATCH.

7 ALUMINUM HEAD & JAMB (SIM.)
A901 SCALE: 3"=1'-0"

DOOR SCHEDULE (NOTE: GC TO COORDINATE THIS SCHEDULE WITH ALL APPROVED WALL & FLOOR FINISHES ON I.D. DWGS.)

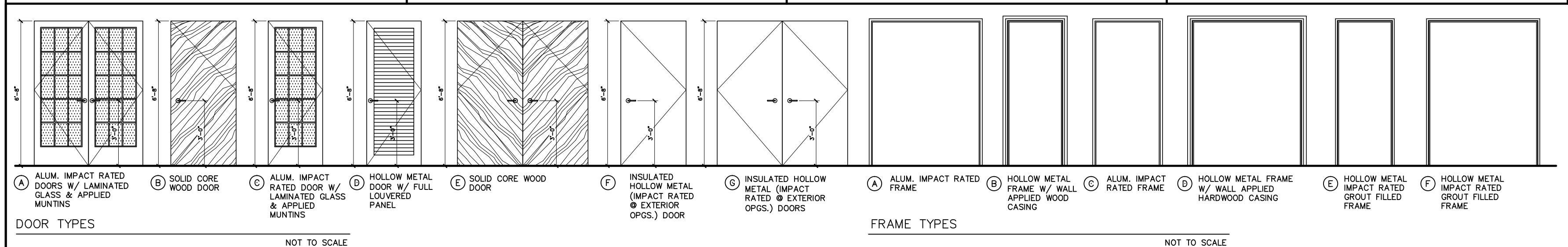
MARK	DOOR			SIZE			FRAME		DETAILS			LABEL	REMARKS	HDWR SET
	ROOM	MATERIAL	TYPE	WIDTH	HEIGHT	THICKNESS	MATERIAL	TYPE	HEAD	JAMB	THRESHOLD			
101	MEETING ROOM	ALUL/LGL	A	(2) 3'-0"	6'-8"	1 3/4"	HM	A	7/A901	7/A901	5/A901	N/A	PROVIDE COORD. CARD-READER CARD ACCESS SYS.	1
102	MEETING ROOM	ALUM/LGL	A	(2) 2'-6"	6'-8"	1 3/4"	HM	A	7/A901	7/A901	5/A901	N/A	PROVIDE COORD. CARD-READER CARD ACCESS SYS.	2
103	VESTIBULE	SGSCW	B	3'-0"	6'-8"	1 3/4"	HMC	B	4/A901	4/A901	2/A901	N/A	-	3
104A	AEROBICS	SGSCW	B	3'-0"	6'-8"	1 3/4"	HMC	B	4/A901	4/A901	2/A901	N/A	-	3
104B	AEROBICS	ALUM/LGL	C	3'-0"	6'-8"	1 3/4"	HM	C	7/A901	7/A901	5/A901	N/A	-	4
105A	FITNESS	ALUM/LGL	A	(2) 2'-6"	6'-8"	1 3/4"	HM	A	7/A901	7/A901	5/A901	N/A	PROVIDE COORD. CARD-READER CARD ACCESS SYS.	2
105B	FITNESS	ALUM/LGL	A	(2) 2'-6"	6'-8"	1 3/4"	HM	A	7/A901	7/A901	5/A901	N/A	PROVIDE COORD. CARD-READER CARD ACCESS SYS.	2
107A	JANITOR	SGSCW	B	3'-0"	6'-8"	1 3/4"	HMC	B	4/A901	4/A901	3/A901	N/A	-	5
108	UNISEX RESTRM. #1	SGSCW	B	3'-0"	6'-8"	1 3/4"	HMC	B	4/A901	4/A901	3/A901	N/A	-	6
109	UNISEX RESTRM. #2	SGSCW	B	3'-0"	6'-8"	1 3/4"	HMC	B	4/A901	4/A901	3/A901	N/A	-	6
110	EQUIPMENT CLOSET	SGSCW	B	3'-0"	6'-8"	1 3/4"	HMC	B	4/A901	4/A901	2/A901	N/A	-	7
111	A.H.U. CLOSET	IHM/LOUV	D	2'-8"	6'-8"	1 3/4"	HMC	B	4/A901	4/A901	2/A901	N/A	-	5
112	HALLWAY	SGSCW	B	2'-8"	6'-8"	1 3/4"	HMC	B	1/A901	1/A901	2/A901	N/A	-	8
113	FURNITURE CLOSET	SGSCW	E	(2) 2'-6"	6'-8"	1 3/4"	HMC	D	4/A901	4/A901	2/A901	N/A	-	9
114	ELECT. EQUIP. RM.	SGSCW	B	2'-4"	6'-8"	1 3/4"	HMC	B	1/A901	1/A901	2/A901	N/A	-	8
115A	MEN'S ROOM	SGSCW	B	2'-8"	6'-8"	1 3/4"	HM	B	1/A901	1/A901	2/A901	N/A	SEE ID DWGS. FOR SCHLUTER DTL. @ TILE TRANSITION	10
115B	MEN'S ROOM	IHM	F	2'-8"	6'-8"	1 3/4"	HM	E	6/A901	6/A901	5/A901	N/A	PROVIDE COORD. CARD-READER CARD ACCESS SYS.	11
116A	WOMEN'S ROOM	SGSCW	B	2'-8"	6'-8"	1 3/4"	HM	B	1/A901	1/A901	2/A901	N/A	SEE ID DWGS. FOR SCHLUTER DTL. @ TILE TRANSITION	10
116B	WOMEN'S ROOM	IHM	F	2'-8"	6'-8"	1 3/4"	HM	E	6/A901	6/A901	5/A901	N/A	PROVIDE COORD. CARD-READER CARD ACCESS SYS.	11
117	WARMING KITCHEN	SGSCW	B	2'-8"	6'-8"	1 3/4"	HM	B	4/A901	4/A901	2/A901	N/A	-	5
120	MECH. EQUIP. RM.	IHM	F	2'-8"	6'-8"	1 3/4"	HM	E	6/A901	6/A901	5/A901	N/A	-	4

SCHEDULE ABBREVIATIONS

N.R.	NOT RATED	S.G.S.C.W.	STAIN GRADE SOLID CORE WOOD	ALUM OR AL.	ALUMINUM (FACT. POWDER COAT PAINT FIN.)
N/A	NOT APPLICABLE OR NONE	P.G.S.C.W.	PAINT GRADE SOLID CORE WOOD	T.GL.	TEMPERED GLASS
E.T.R.	EXISTING TO REMAIN	P.G.H.C.W.	PAINT GRADE HOLLOW CORE WOOD	L.GL..	LAMINATED, TINTED GLASS (HURRICANE IMPACT RATED)
I.H.M.	INSULATED HOLLOW METAL (FACT. PRIMED, FIELD PAINT)	S.G.W.	STAIN GRADE WOOD	LOUV	FULL LOUVERED PANEL
H.M.	HOLLOW METAL (FACT. PRIMED, FIELD PAINT)	P.G.W.	PAINT GRADE WOOD	H.M.	HOLLOW METAL (FACT. PRIMED, FIELD PAINT) WITH WALL APPLIED CASINGS

DOOR HARDWARE SCHEDULE

HARDWARE SET #1 (MEETING ROOM EXTERIOR ENTRY / EXIT, #101) 6-HINGES: IVE 5BB1 4.5X4.5 NRP, 630 1-EXIT DEVICE: VON CD-3347A-E0, 626 1-EXIT DEVICE: VON RX-EL-3347A-NL-OP-388-CON, 626 1-POWER TRANSFER: VON EPT10 CON, 689 1-RIM CYLINDER: 20-057, 626 2-SURFACE CLOSERS: LCN 4040XP SCUSH SRI TBSRT, 689 2-MOUNTING PLATES: LCN 4040-18PA, 689 1-WIRE HARNESS: VON CON-192 1-WIRE HARNESS: VON CON-32P 1-WIRE HARNESS: VON CON-6W	HARDWARE SET #2 - (MEETING ROOM & FITNESS ROOM EXTERIOR ENTRY / EXIT, #102, 105A, 105B) 6-HINGES: IVE 5BB1 4.5X4.5 NRP, 630 1-EXIT DEVICE: VON CD-3347A-E0, 626 1-EXIT DEVICE: VON RX-EL-3347A-NL-OP-388-CON, 626 2-DOOR BOTTOMS & SWEEPS: (PER DOOR MFR. NOA) 1-60" THRESHOLD: (PER DOOR MFR. NOA) 1-SET WEATHER STRIPPING: (PER DOOR MFR. NOA) 2-PULLS (PER I.D. & OWNER PER DOOR MFR. NOA) NOTE: BASED ON ALDORA ALUMINUM DOORS NOA # 15-0106.04 INCLUDE ADD'L. HDWR. AS REQ'D. PER MFR. NOA.
HARDWARE SET #3 - (MEETING ROOM TO NEW VESTIBULE & NEW VEST. TO AEROBICS, #103, 104A) 3-HINGES: IVE 5BB1 4.5X4.5, 652 1-CLASSROOM LOCKSET: SCH ND94PD OME, 626 1-SURFACE CLOSER: LCN 4031 REG OR PA AS REQ'D., TBWMS, 689	HARDWARE SET #4 - (AEROBICS ROOM TO COV. ENTRY & MECH. EQUIP. ROOM, #104B, 120) 3-HINGES: IVE 5BB1 4.5X4.5 NRP, 630 1-STOREROOM LOCKSET: SCH ND96PD OME, 626 1-SURFACE CLOSER: LCN 4040XP SCUSH SRI TBSRT, 689 1-RAIN DRIP: ZER 142A, ALUM
HARDWARE SET #5 - (NEW VEST. TO JAN., NEW VEST. TO AHU & MEETING ROOM TO KITCHEN, #107A, 111 & 117) 3-HINGES: IVE 5BB1 4.5X4.5, 652 1-STOREROOM LOCKSET: SCH ND96PD OME, 626 1-SURFACE CLOSER: LCN 4031 REG OR PA AS REQ'D., TBWMS, 689	HARDWARE SET #6 - (NEW VEST. TO UNISEX RESTROOMS, #108, 109) 3-HINGES: IVE 5BB1 4.5X4.5, 652 1-PRIVACY LOCK: SCH ND40S OME, 626 1-SURFACE CLOSER: LCN 4031 REG OR PA AS REQ'D., TBWMS, 689
HARDWARE SET #7 - (NEW VESTIBULE TO GYM EQUIP. ROOM, #110) 3-HINGES: IVE 5BB1 4.5X4.5, 652 1-PASSAGE SET: SCH ND10S OME, 626 1-SURFACE CLOSER: LCN 4031 REG OR PA AS REQ'D., TBWMS, 689	HARDWARE SET #8 - (KITCHEN TO HALLWAY & HALLWAY TO ELECT. EQUIP., #112, 114) 3-HINGES: IVE 5BB1 4.5X4.5, 652 1-STOREROOM LOCKSET: SCH ND96PD OME, 626 1-SURFACE CLOSER: LCN 4031 REG OR PA AS REQ'D., TBWMS, 689
HARDWARE SET #9 - (HALLWAY TO FURNITURE CLOSET) 6-HINGES: IVE 5BB1 4.5X4.5, 652 1-STOREROOM LOCKSET: SCH ND96PD OME, 626 2-MANUAL FLUSH-BOLTS: IVE FB458, 626 2-SURFACE CLOSERS: LCN 4031 REG OR PA AS REQ'D., TBWMS, 689	HARDWARE SET #10 - (HALLWAY TO MEN'S, WOMEN'S ROOMS, #115A, 116A) 3-HINGES: IVE 5BB1 4.5X4.5 NRP, 630 1-CLASSROOM LOCKSET: SCH ND94PD OME, 626 1-SURFACE CLOSER: LCN 4040XP SCUSH SRI TBSRT, 689 1-WALL STOP: IVE WS 406/407CCV, 630
HARDWARE SET #11 - (MEN'S & WOMEN'S ROOMS TO EXTERIOR, #115B, 116B) 3-HINGES: IVE 5BB1 4.5X4.5 NRP, 630 1-STOREROOM LOCKSET: SCH ND96PDEU OME CON, 626 1-POWER TRANSFER: VON EPT2 CON, 689 1-SURFACE CLOSER: LCN 4040XP SCUSH SRI TBSRT, 689 1-RAIN DRIP: ZER 142A, ALUM 1-SET WEATHER-STRIPPING: ZER 8144S-BK, S-BK 1-THRESHOLD: ZER 566A-MSLA-10, ALUM	HARDWARE MANUFACTURERS: IVE = IVES ZER = ZERO VON = VONDUPRIN SCE = SCH = SCHLAGE LCN = LCN CLOSERS



8 DOOR & FRAME TYPES
A901 SCALE: NOT TO SCALE

REVISIONS	BY

Slattery & Associates
ARCHITECTS PLANNERS
2060 NW BOCA RATON BLVD.
SUITE 2
BOCA RATON, FL 33431
TEL: 561-392-3848
FAX: 561-392-5402
WWW.SLATTERYARCHITECTS.COM

**WOODFIELD HUNT CLUB
CLUBHOUSE RENOVATION
AND EXPANSION**
4420 WOODFIELD BLVD.
BOCA RATON, FLORIDA

DATE OF SEAL: 7-27-16
SLATTERY & ASSOCIATES
FLORIDA REGISTRATION # AA0003381

DOOR DETAILS

DRAWN CR, DR
CHECKED CR
DATE 7-21-16
SCALE AS NOTED
JOB NO. 2014-33
SHEET

A901

C.D. - 7-21-16