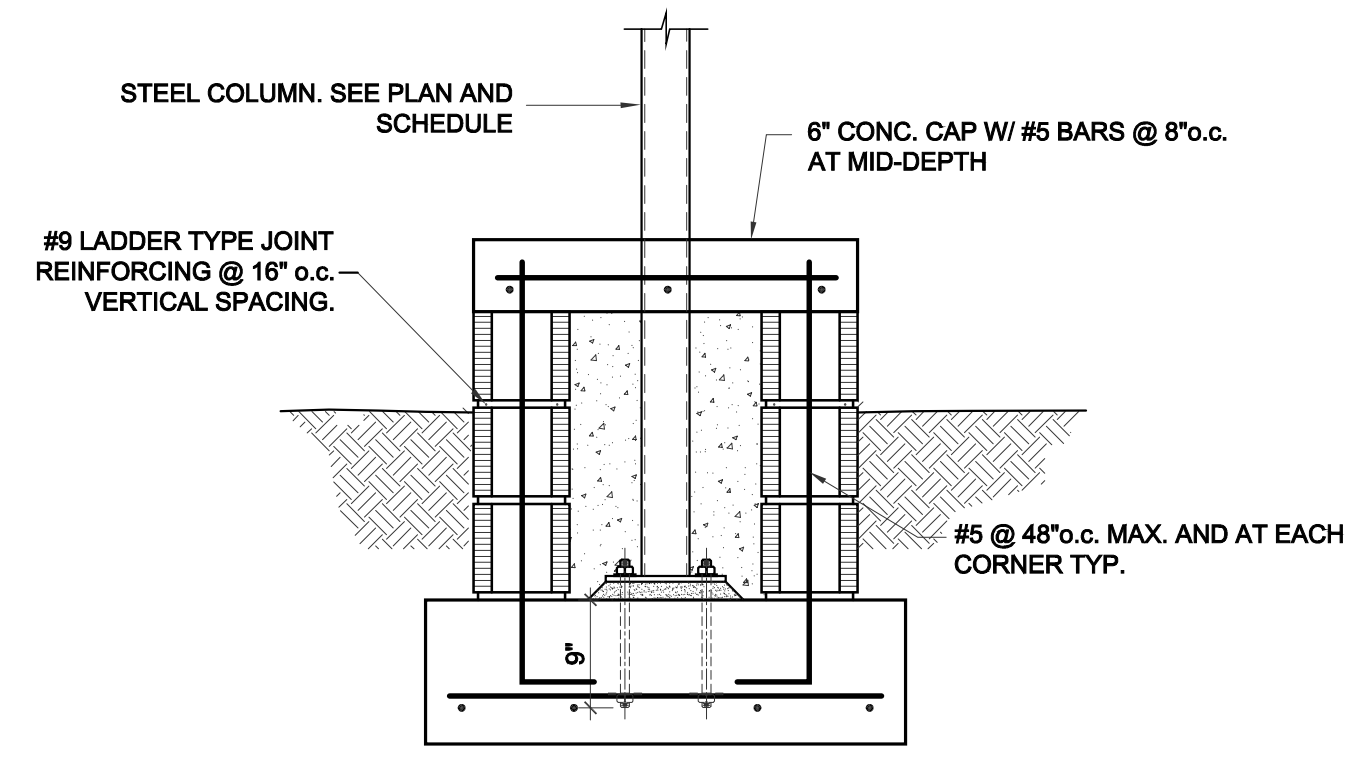
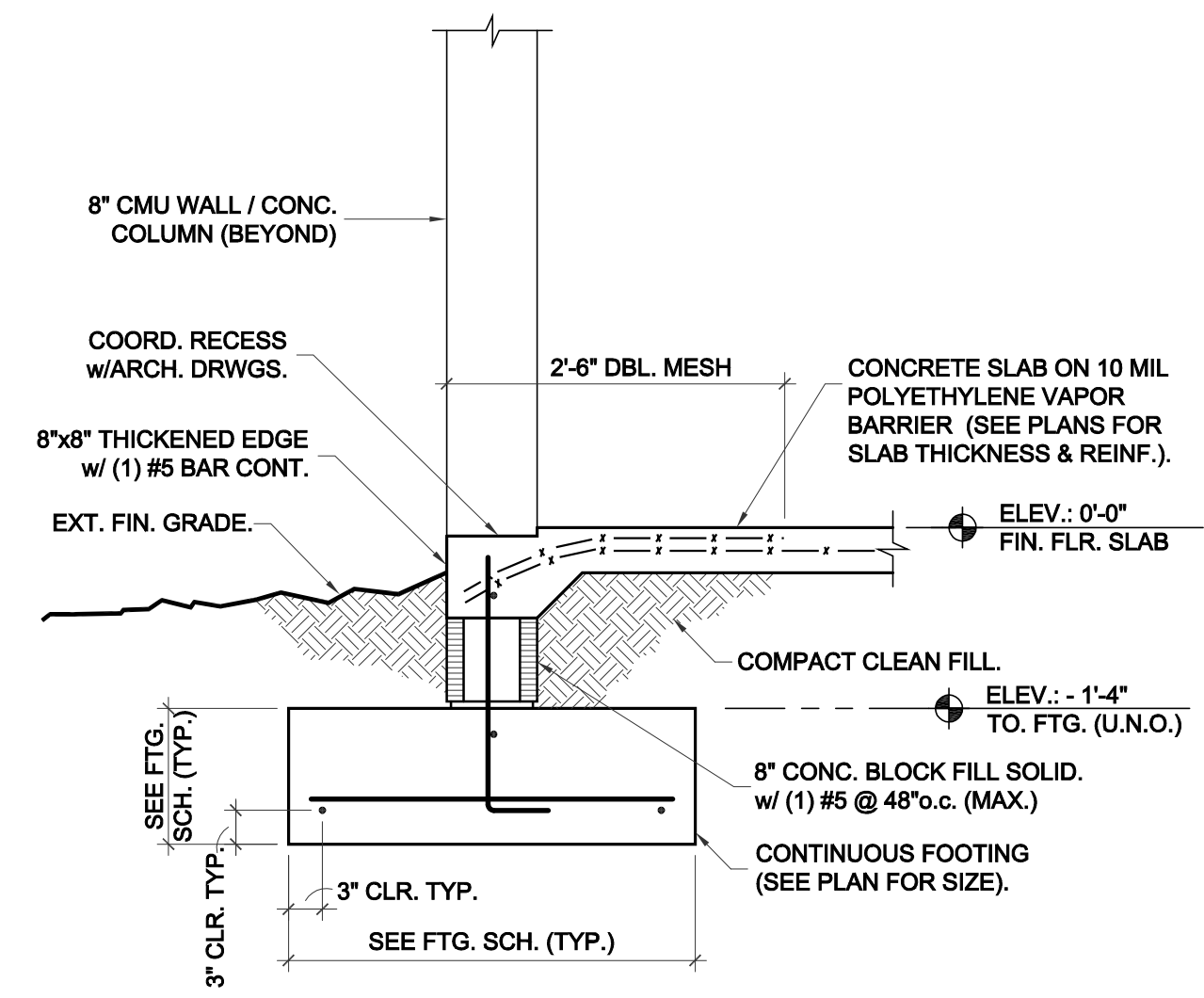


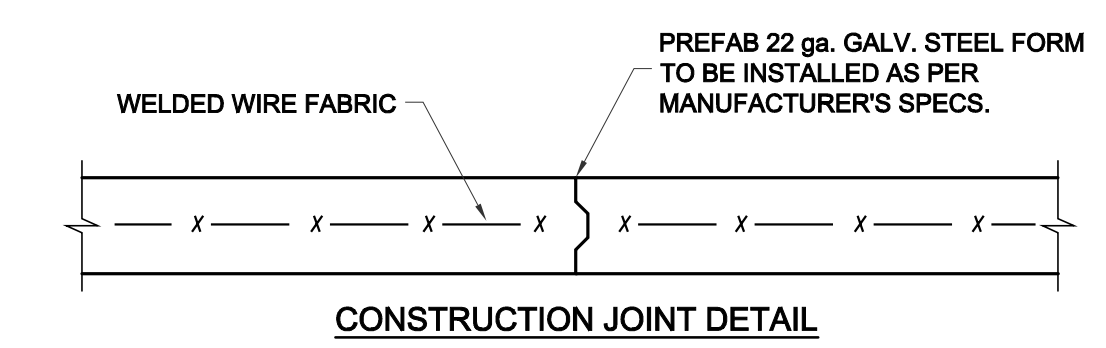
SECTION 1
SCALE: 3/4"=1'-0"
S-3.0



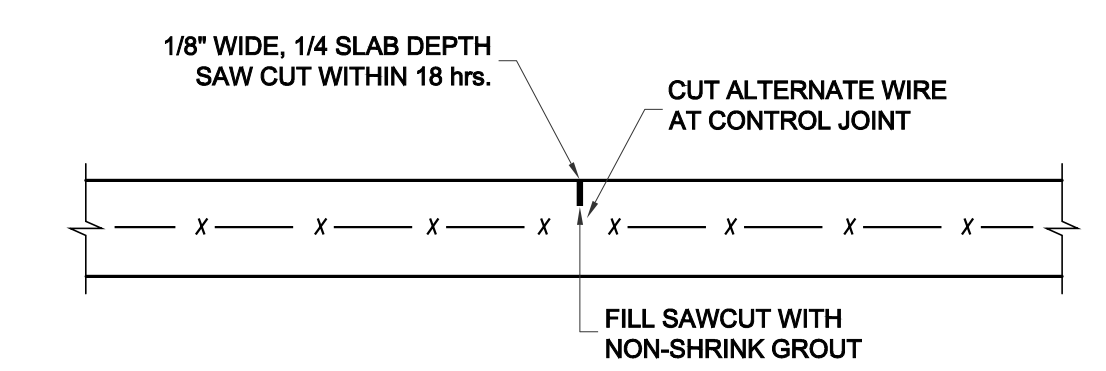
SECTION 2
SCALE: 3/4"=1'-0"
S-3.0



SECTION 3
SCALE: 3/4"=1'-0"
S-3.0

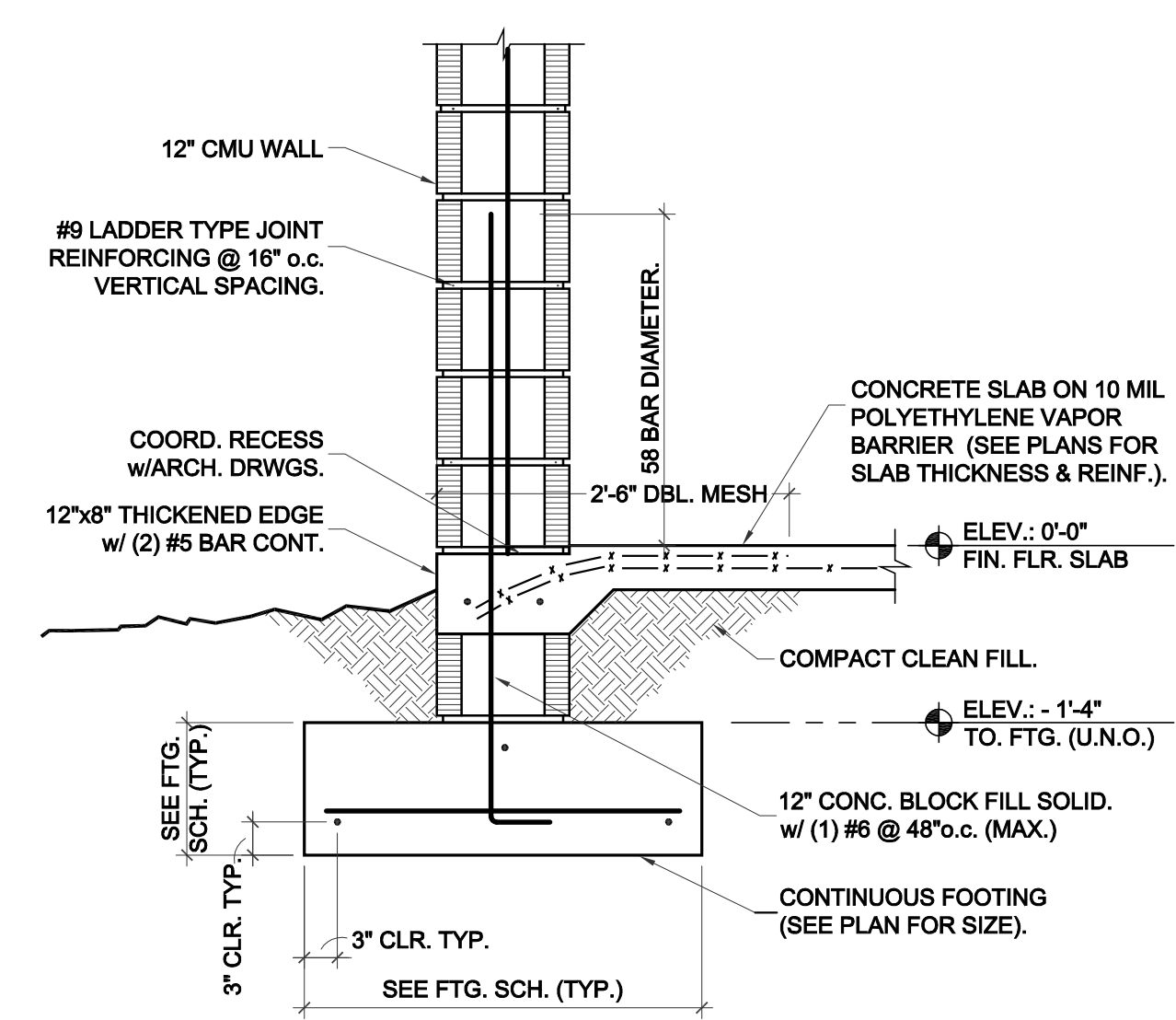


CONSTRUCTION JOINT DETAIL

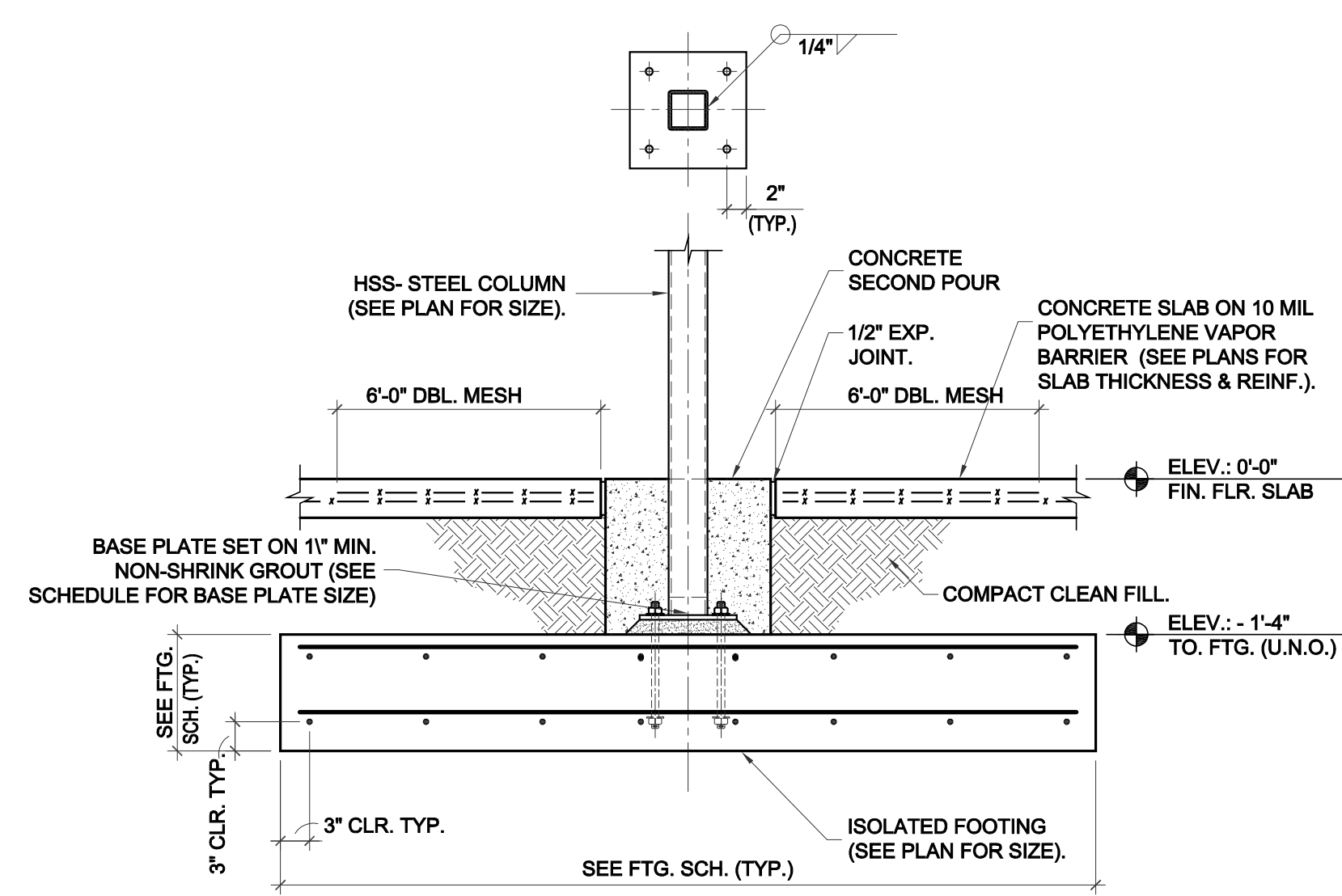


CONTRACTION JOINT DETAIL

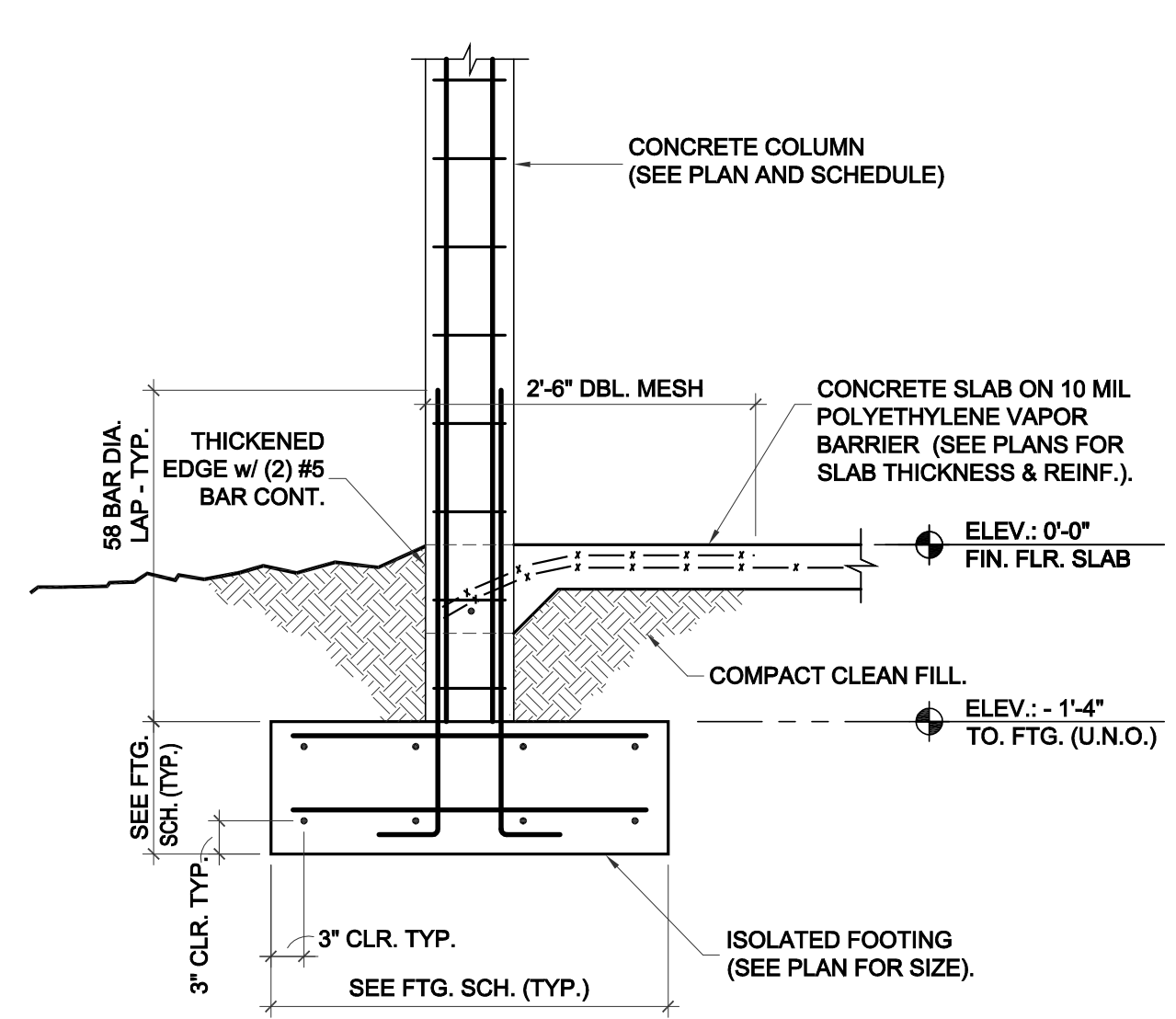
SECTION 4
SCALE: 3/4"=1'-0"
S-3.0



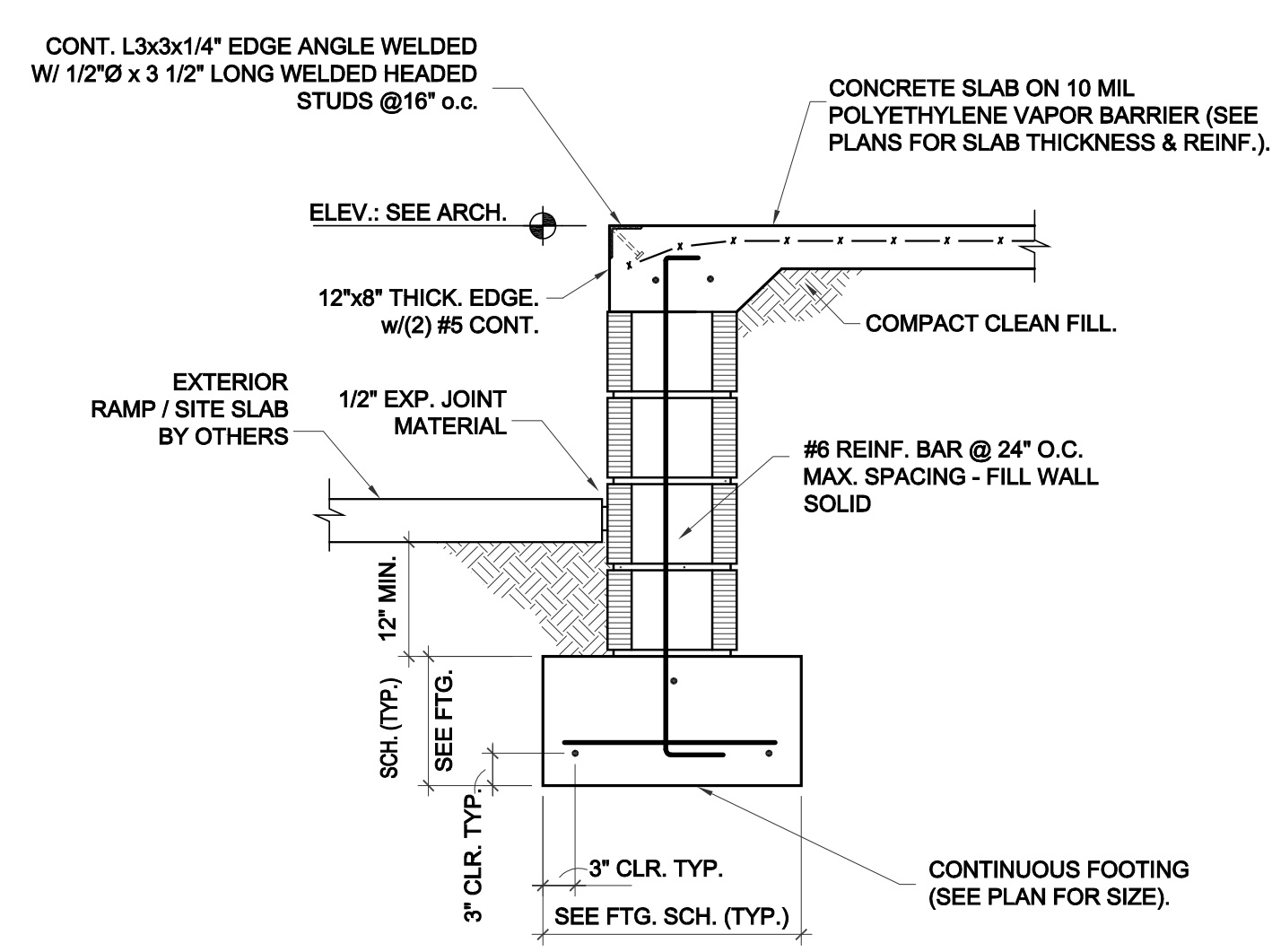
SECTION 5
SCALE: 3/4"=1'-0"
S-3.0



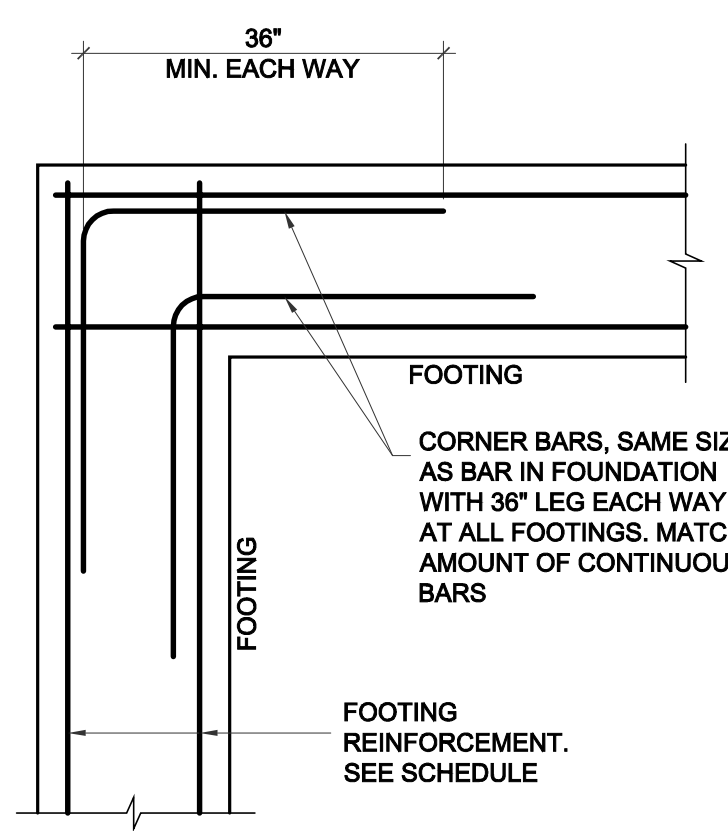
SECTION 6
SCALE: 3/4"=1'-0"
S-3.0



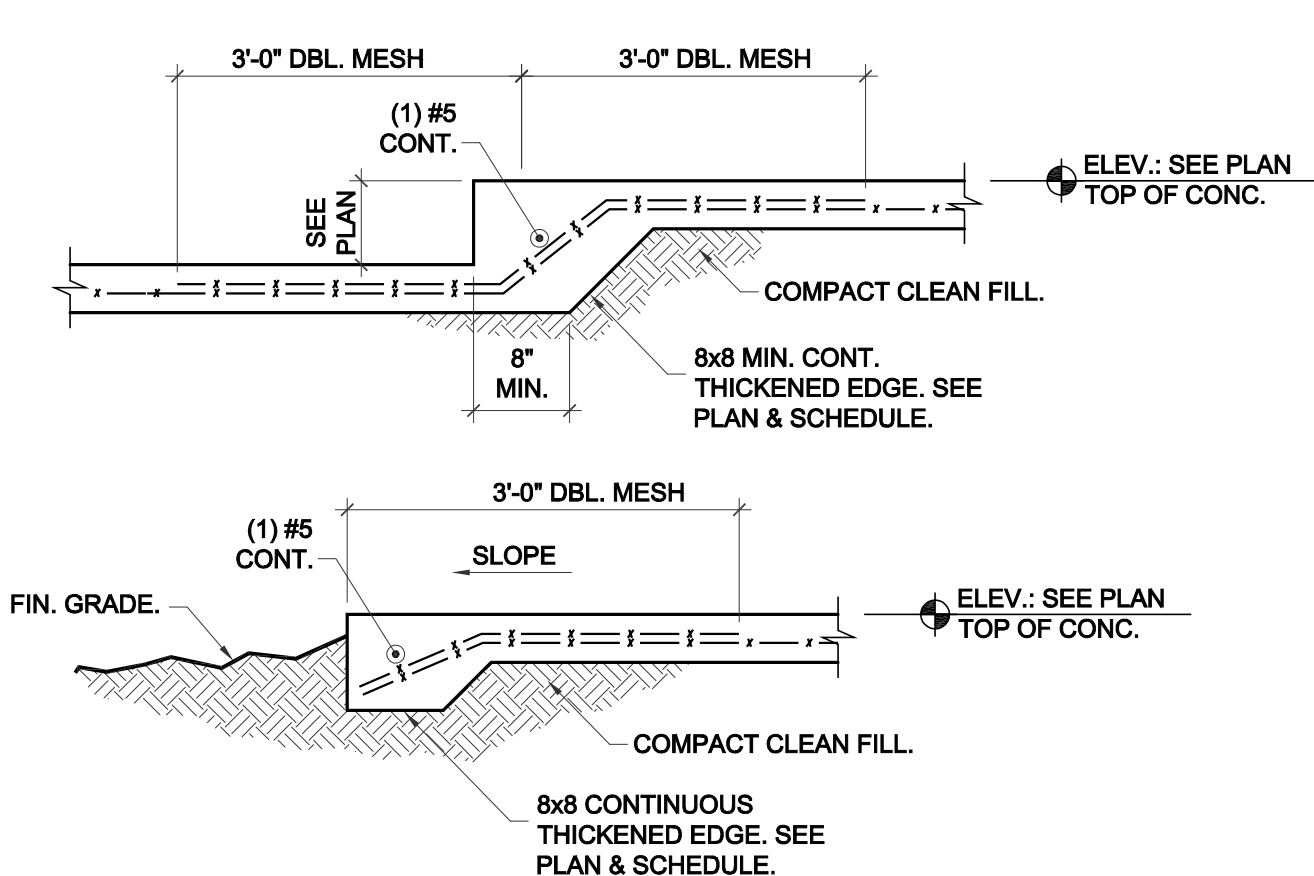
SECTION 7
SCALE: 3/4"=1'-0"
S-3.0



SECTION 8
SCALE: 3/4"=1'-0"
S-3.0



SECTION 9
SCALE: 3/4"=1'-0"
S-3.0



SECTION 10
SCALE: 3/4"=1'-0"
S-3.0

Revisions:

- 1
- 2
- 3
- 4
- 5

Project Number
160412

1066 U.S. HIGHWAY 1
New Retail Building - Goodwill
 1066 U.S. HIGHWAY 1
 Vero Beach, Florida

Project Name
New Retail Building

Stephen Brascaglia, Architect
 State of Florida
 Registration No. AR12239
 6991 West Broward Boulevard
 Suite 100
 Plantation, Florida 33317
 Telephone 954.614.3801
 Telefax 954.208.0600
 architect @ design23.net

Drawn By: **RSS** Checked By: **STB**

Scale: **SHOWN** Date: **7-13-16**

Project Number
160412

Sheet:
S-3.0

PERMIT SET 07-29-2016

Unison
Structural Design LLC
KERVIN VENTURA
P.E. #24146
STRUCTURAL ENGINEER
FL00P00000
2000 N. STATE ROAD 7, SUITE 200, MIAMI, FL 33132
UNISONSTRUCTURALDESIGN.COM - TEL: (305) 298-2467
KERVIN VENTURA, P.E. 74146