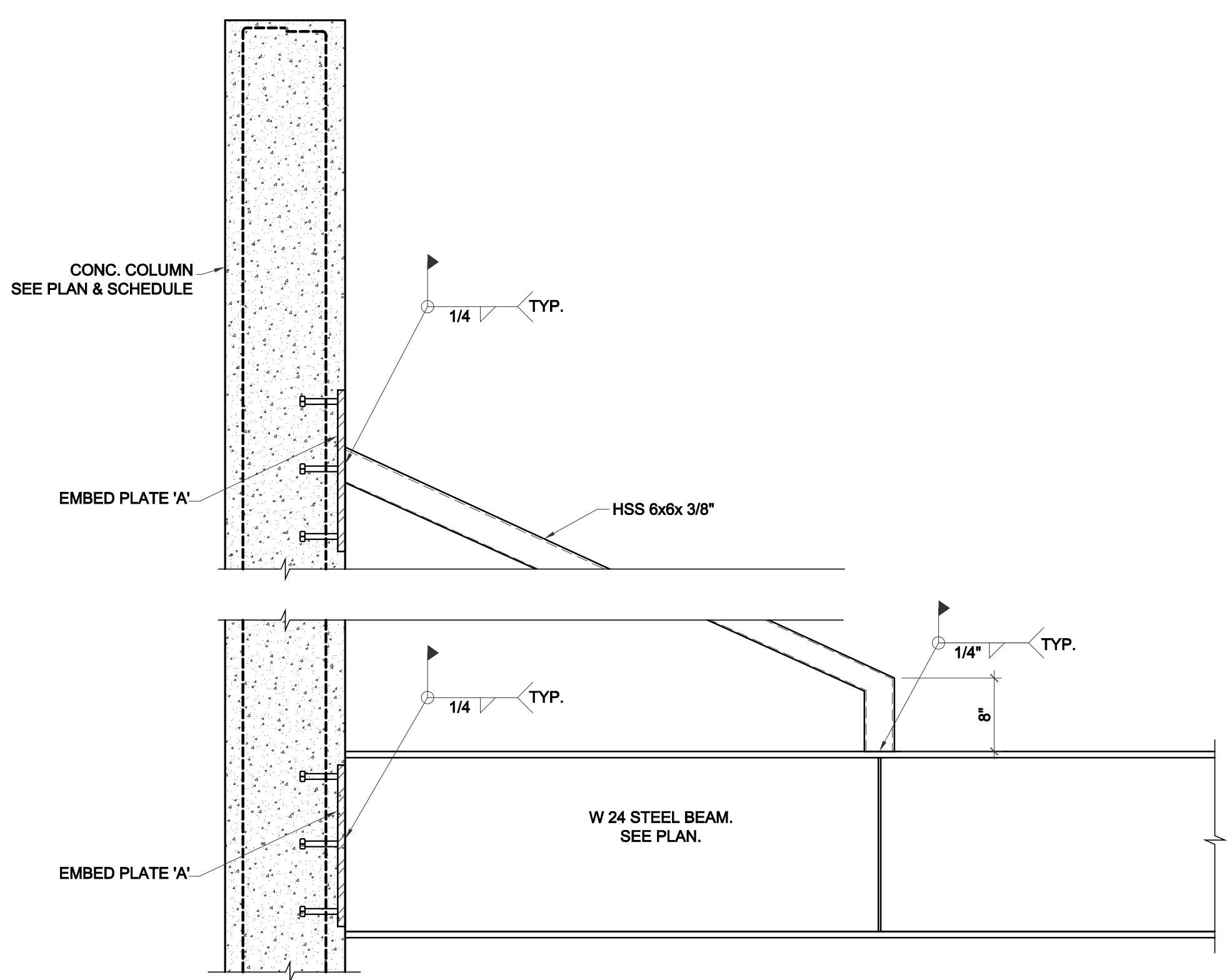
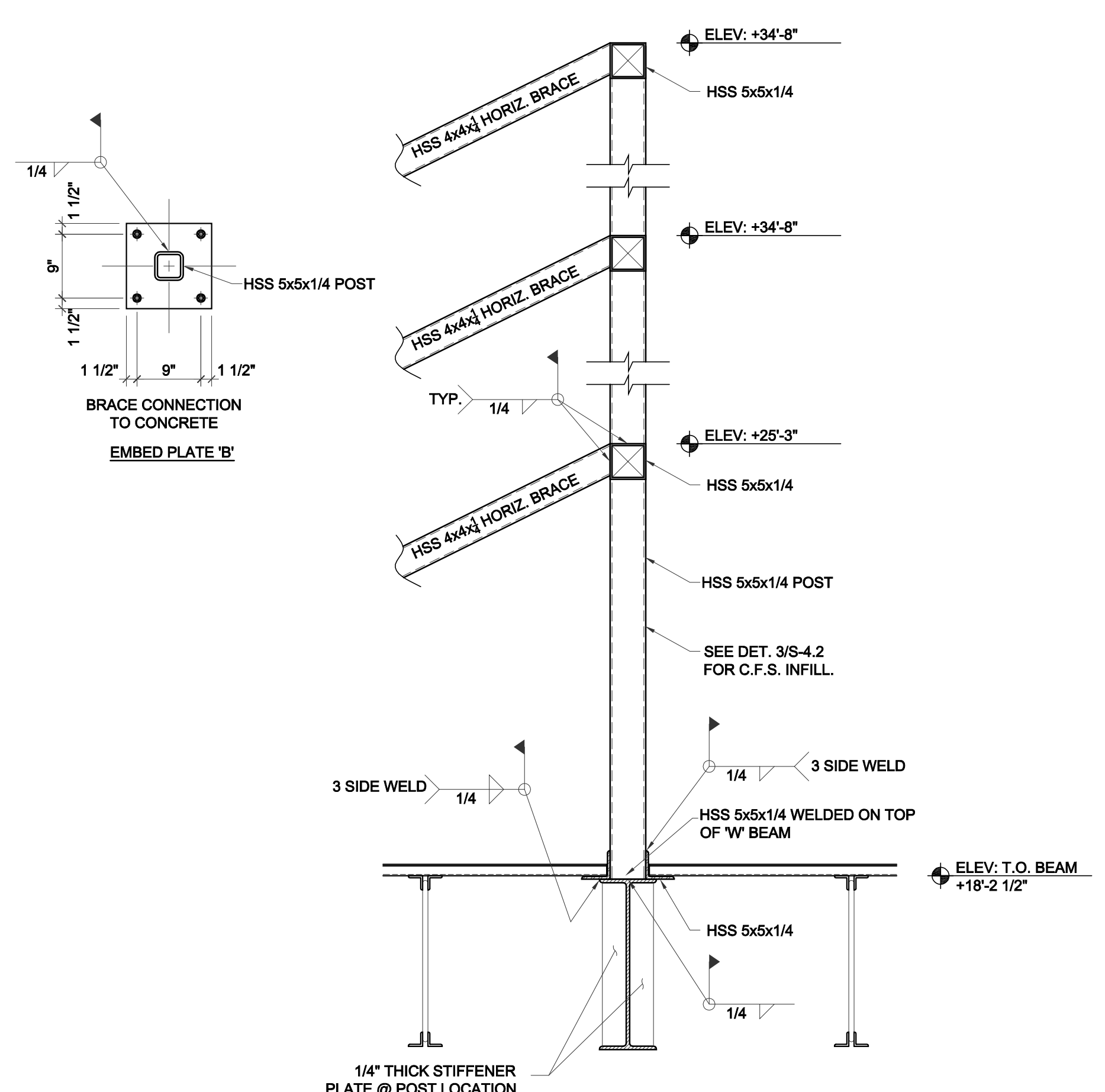


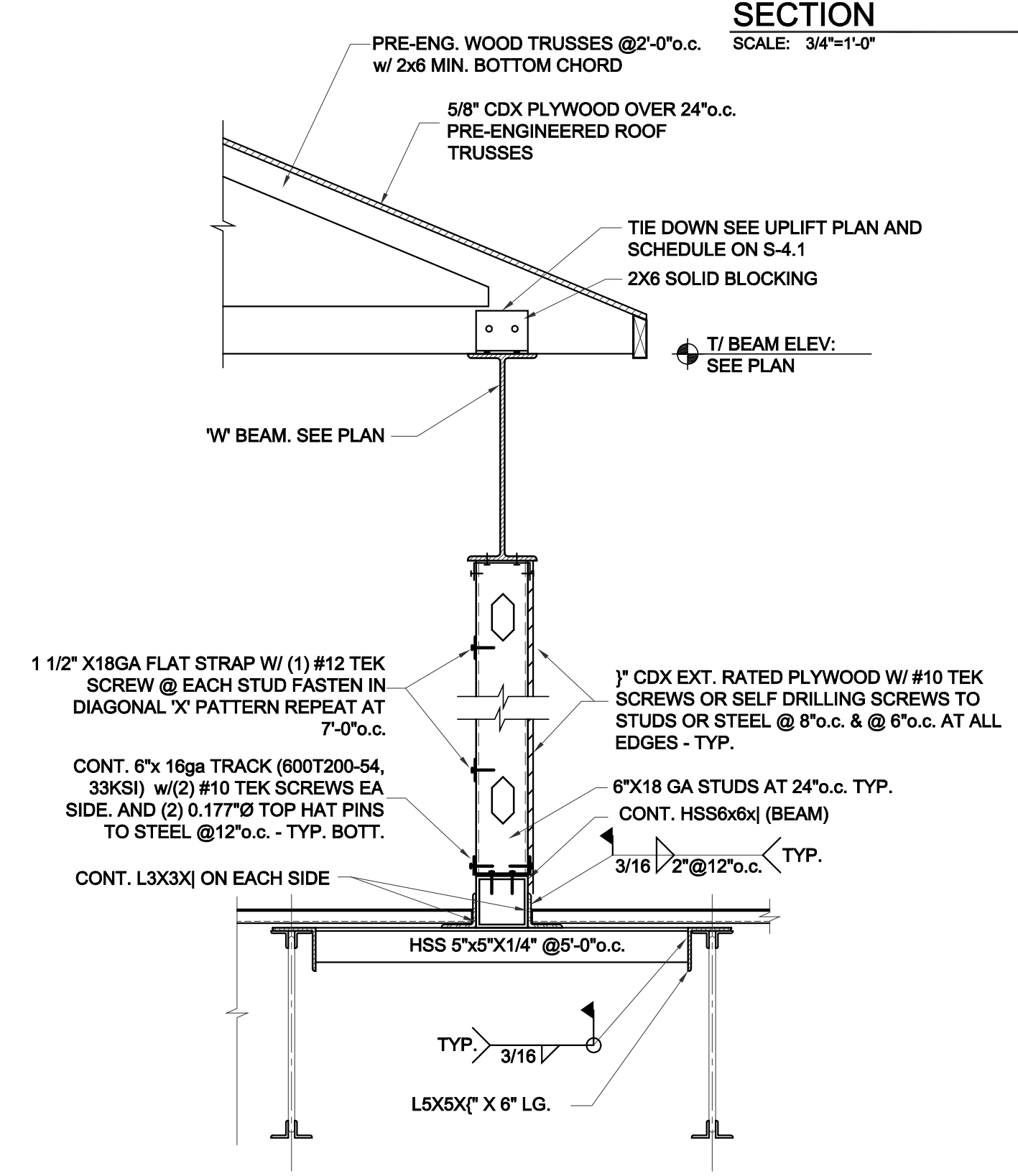
SECTION 1
SCALE: 3/4"=1'-0"
S4.2



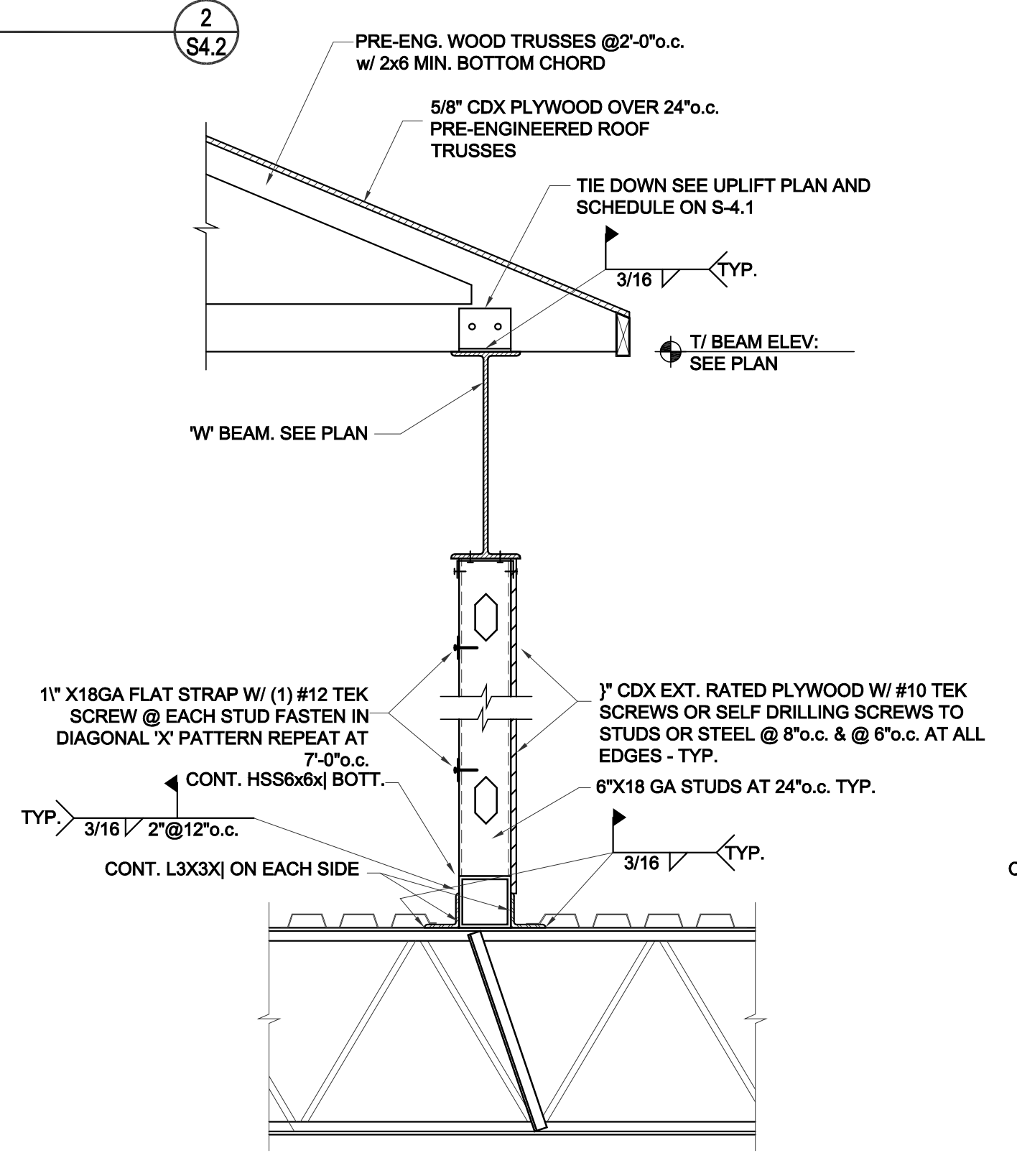
SECTION 4
SCALE: 3/4"=1'-0"
S4.2



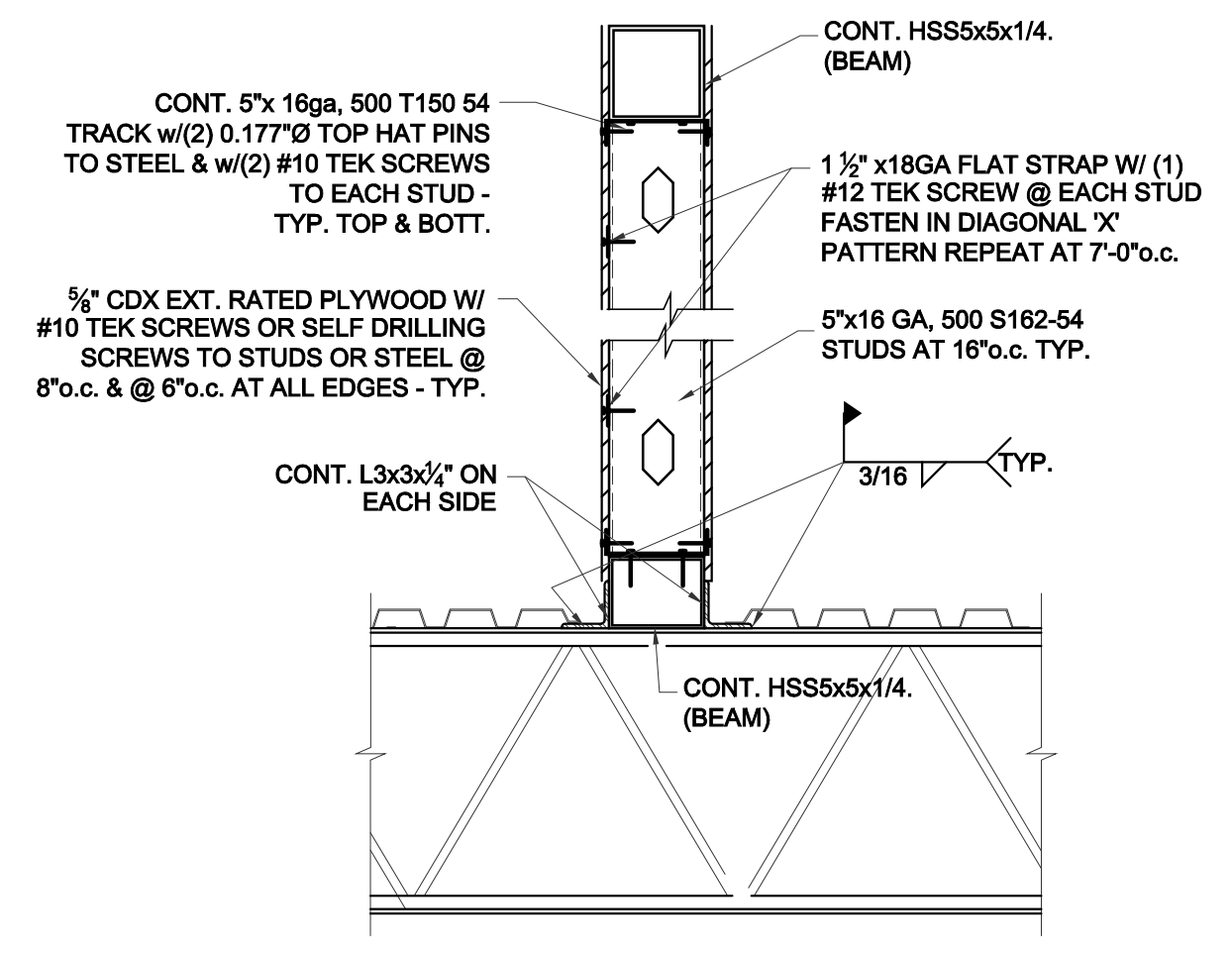
SECTION 2
SCALE: 3/4"=1'-0"
S4.2



SECTION 5
SCALE: 3/4"=1'-0"
S4.2



SECTION 6
SCALE: 3/4"=1'-0"
S4.2



DETAIL 3
SCALE: 3/4"=1'-0"
S4.2

- Revisions:
- 1
 - 2
 - 3
 - 4
 - 5
 - 6

Project Number
160412

Project Name
1066 U.S. HIGHWAY 1
New Retail Building - Goodwill
1066 U.S. HIGHWAY 1
Vero Beach, Florida

Project Name
New Retail Building

Stephen Brascaglia, Architect
State Of Florida
Registration No. AR12239
6991 West Broward Boulevard
Suite 100
Plantation, Florida 33317
Telephone 954.614.3801
Telefax 954.208.0600
architect @ design23.net

Drawn By: R S S
Checked By: S T B

Scale: SHOWN
Date: 7-13-16

Project Number
160412

Sheet:

S-4.2

