

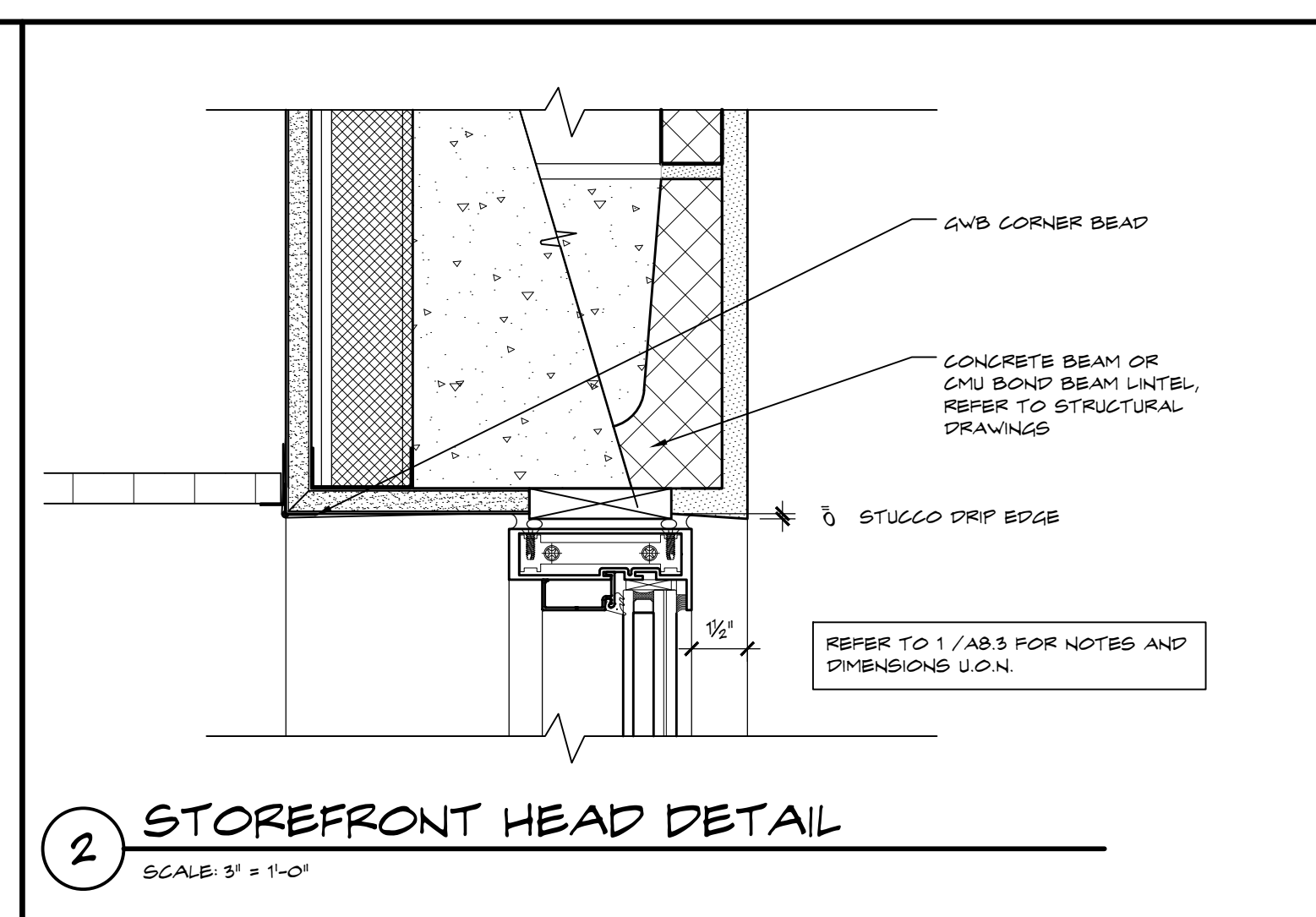
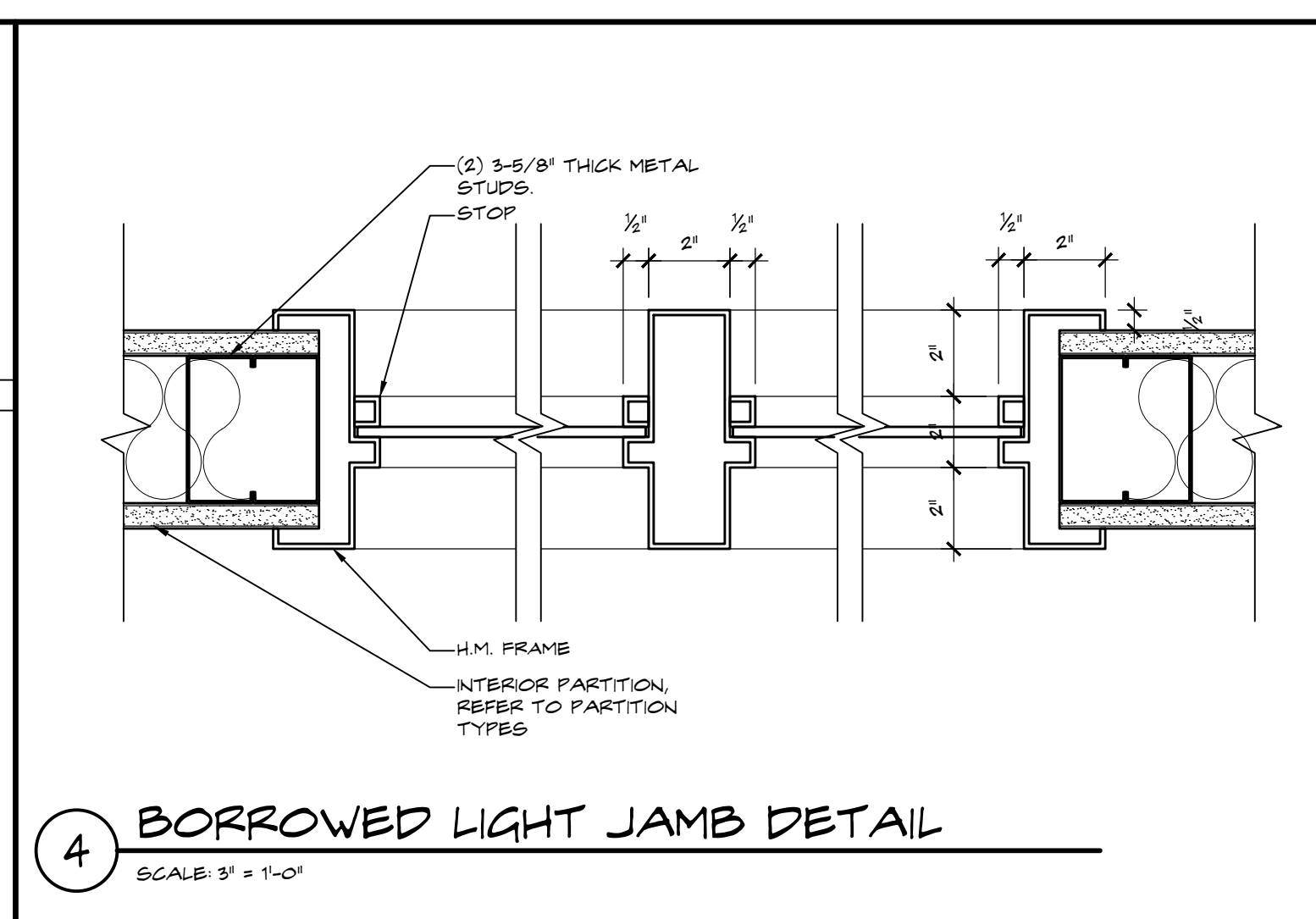
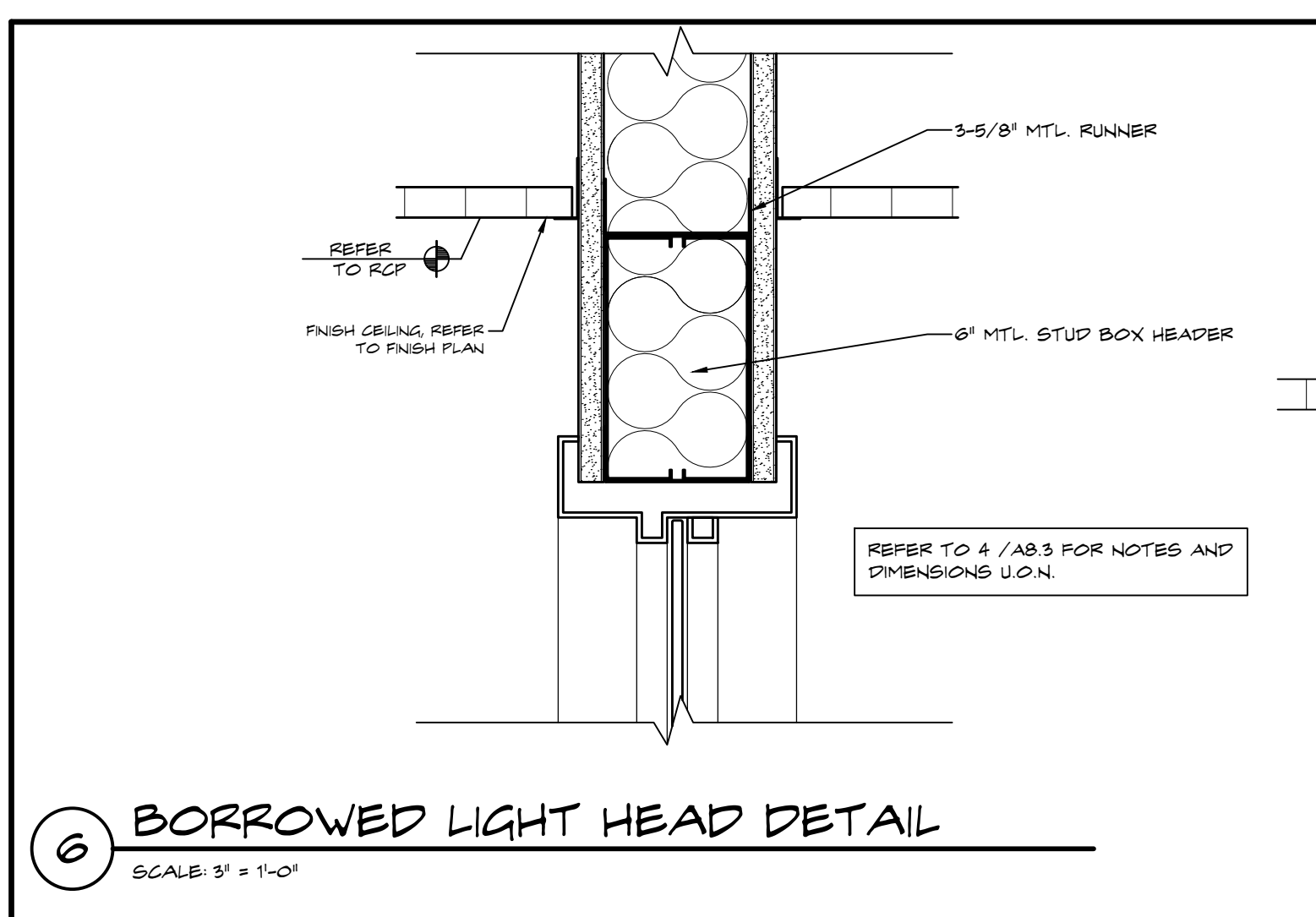
| 1st FLOOR WINDOW SCHEDULE | | | | | | | | |
|---------------------------|-------------|--------|----------|----------------|--------|-------|-------|-----------------------|
| Number | WINDOW SIZE | | FRAME | | | NOTES | | |
| | Width | Height | Material | FINISH | DETAIL | | | |
| | | | | | HEAD | | JAMB | SILL |
| A | 6'-0" | 8'-0" | ALUM | CLEAR ANODIZED | 2/AB3 | 3/AB3 | 1/AB3 | -- |
| A1 | 6'-0" | 8'-0" | ALUM | CLEAR ANODIZED | 2/AB3 | 3/AB3 | 1/AB3 | SPANDREL GLASS |
| B | 4'-8" | 8'-0" | ALUM | CLEAR ANODIZED | 2/AB3 | 3/AB3 | 1/AB3 | -- |
| C | 6'-4" | 2'-0" | ALUM | CLEAR ANODIZED | 2/AB3 | 3/AB3 | 1/AB3 | -- |
| J | -- | -- | ALUM | CLEAR ANODIZED | 2/AB3 | 3/AB3 | 1/AB3 | SEE TO 1/AB3 FOR SIZE |
| M | 4'-0" | 3'-5" | ALUM | PAINTED | 2/AB4 | 1/AB4 | 2/AB4 | -- |
| N | 3'-10" | 3'-5" | ALUM | PAINTED | 3/AB4 | 1/AB4 | 3/AB4 | -- |

| 2nd FLOOR WINDOW SCHEDULE | | | | | | | | |
|---------------------------|-------------|--------|----------|----------------|--------|-------|-------|------|
| Number | WINDOW SIZE | | FRAME | | | NOTES | | |
| | Width | Height | Material | FINISH | DETAIL | | | |
| | | | | | HEAD | | JAMB | SILL |
| D | 6'-0" | 12'-4" | ALUM | CLEAR ANODIZED | 2/AB3 | 3/AB3 | 1/AB3 | -- |
| E | 6'-0" | 5'-8" | ALUM | CLEAR ANODIZED | 2/AB3 | 3/AB3 | 1/AB3 | -- |
| F | 6'-4" | 5'-8" | ALUM | CLEAR ANODIZED | 2/AB3 | 3/AB3 | 1/AB3 | -- |
| H | 6'-0" | 5'-8" | ALUM | CLEAR ANODIZED | 2/AB3 | 3/AB3 | 1/AB3 | -- |
| K | 6'-0" | 4'-4" | HM | PAINTED | 6/AB3 | 4/AB3 | 5/AB3 | -- |
| L | 6'-0" | 4'-4" | HM | PAINTED | 6/AB3 | 4/AB3 | 5/AB3 | -- |
| G | 6'-0" | 5'-8" | ALUM | CLEAR ANODIZED | 2/AB3 | 3/AB3 | 1/AB3 | -- |

7 WINDOW TYPES A-J
SCALE: 1/4" = 1'-0"

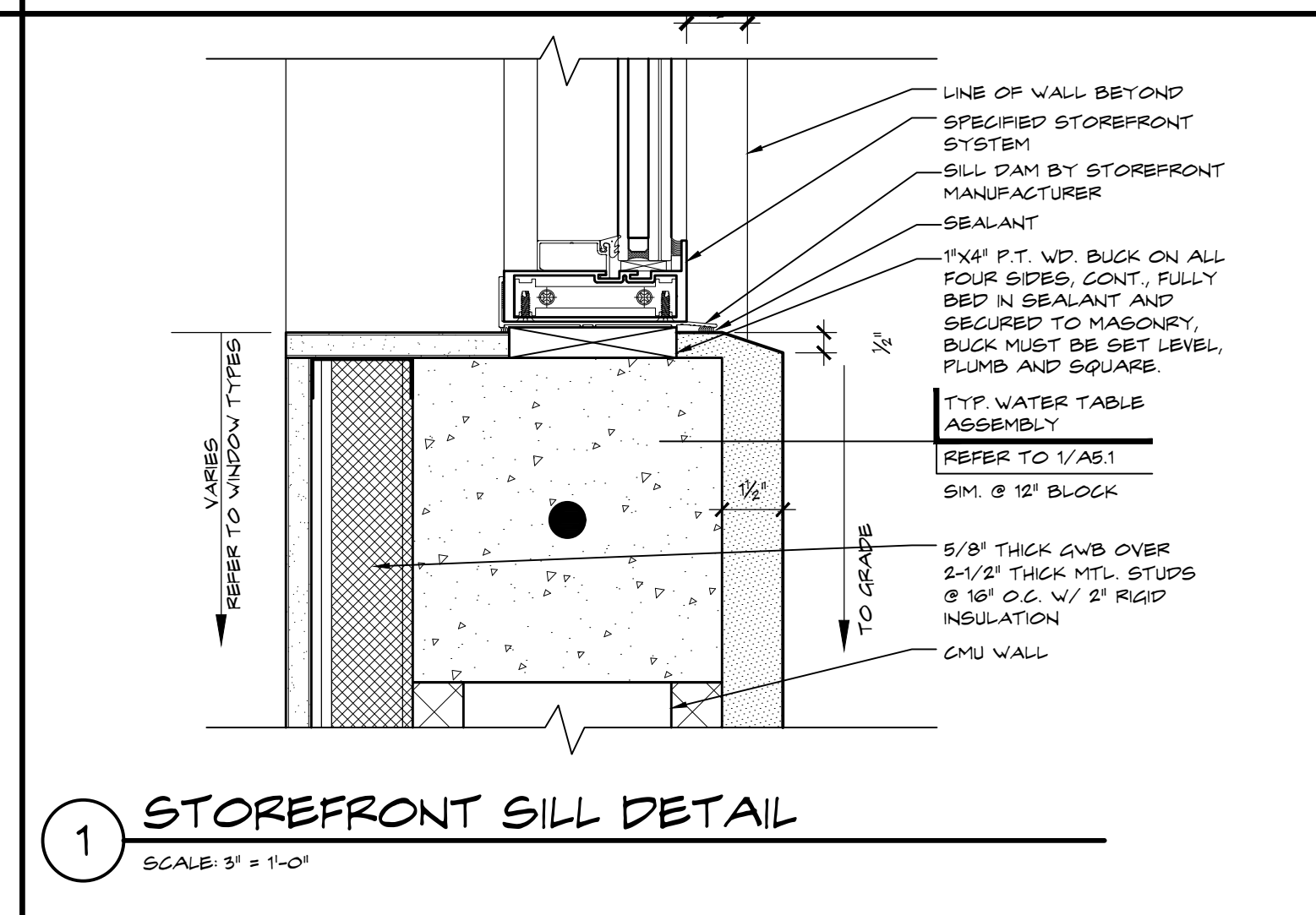
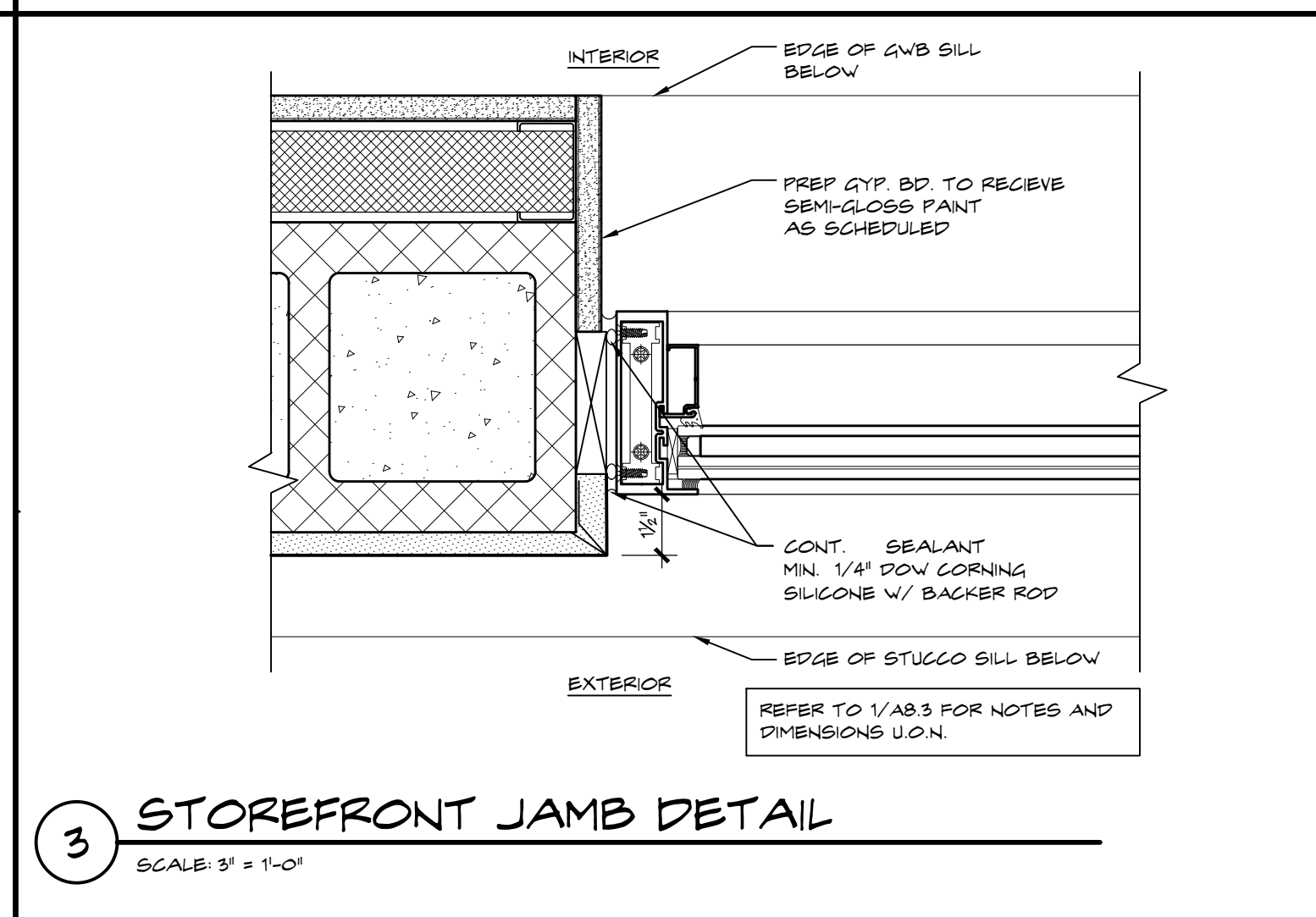
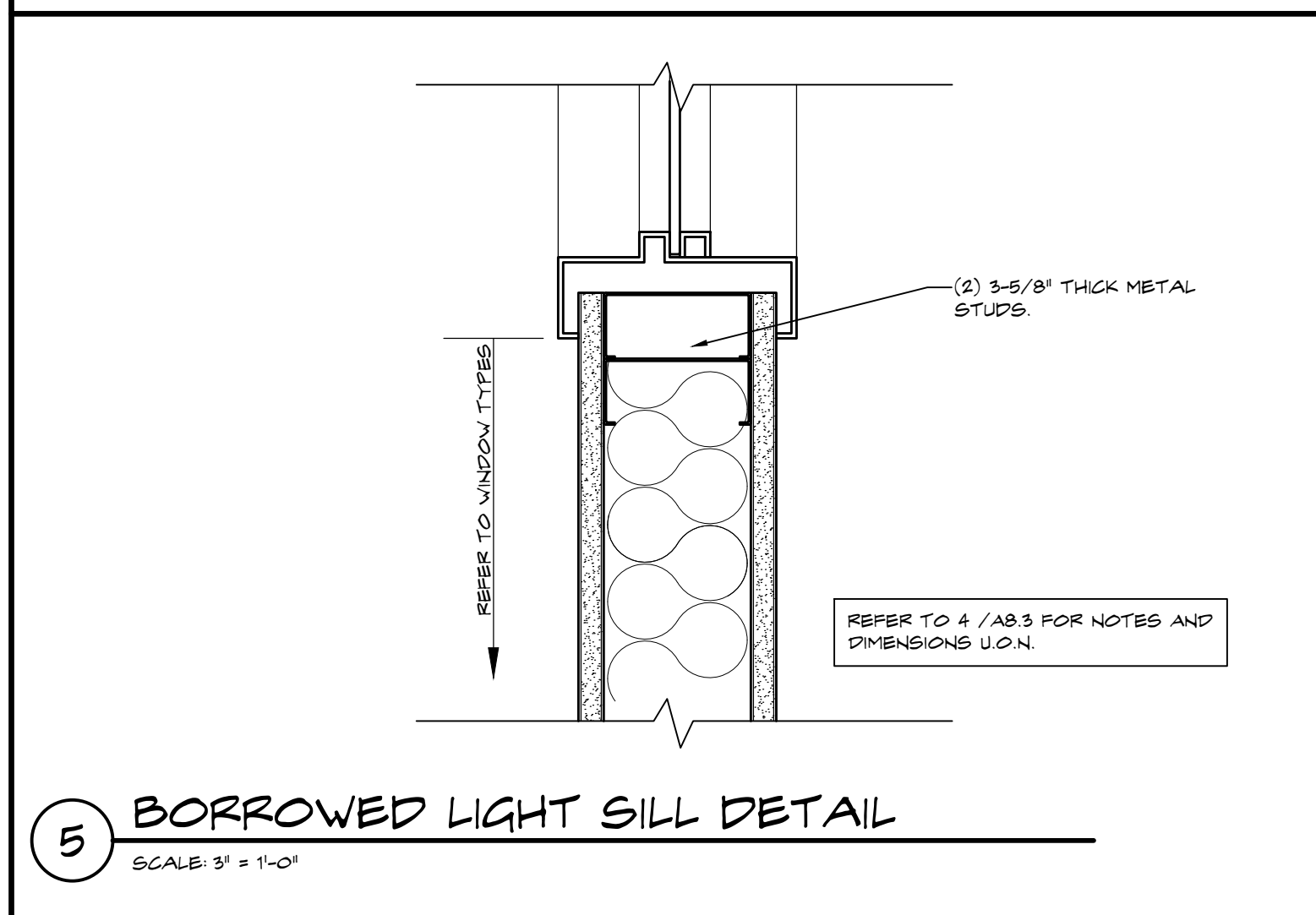
8 BORROWED LIGHT TYPES K & L
SCALE: 1/4" = 1'-0"

9 BULLET RESISTANT WINDOWS M & N
SCALE: 1/4" = 1'-0"



WINDOW NOTES

- ALL WINDOWS TO BE STOREFRONT WINDOWS. WINDOW BASIS OF DESIGN - REFER TO 1/AB.4.
- BORROWED LIGHT BASIS OF DESIGN.
- BULLET RESISTANT GLASS BASIS OF DESIGN.



THESE DRAWINGS ARE FOR THE EXCLUSIVE USE OF GLIDDENSPINA + PARTNERS, INC. AND MAY NOT BE DUPLICATED, REPRODUCED OR USED IN ANY MANNER WITHOUT THE EXPRESS WRITTEN CONSENT OF GLIDDENSPINA + PARTNERS, INC. ALL RIGHTS RESERVED.

Revisions:

| | |
|--|--|
| | |
| | |

Project no: 14224
Date: 09.09.16
Drawn by: WS
Project Architect: WC / DR