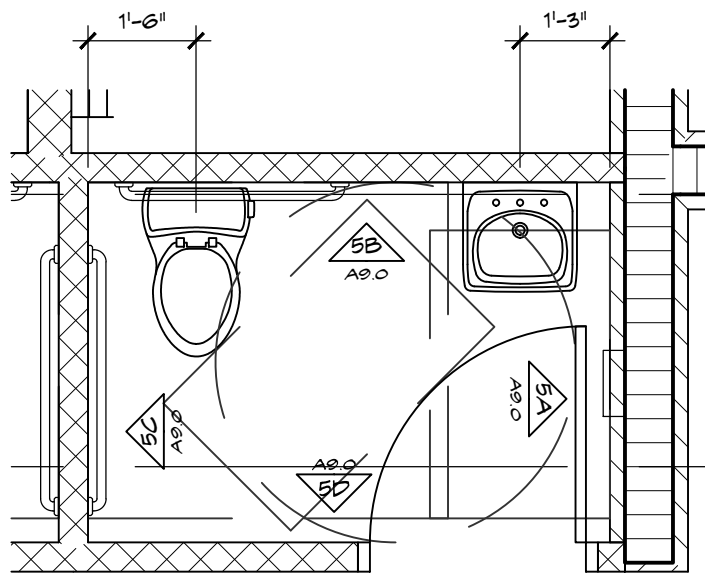
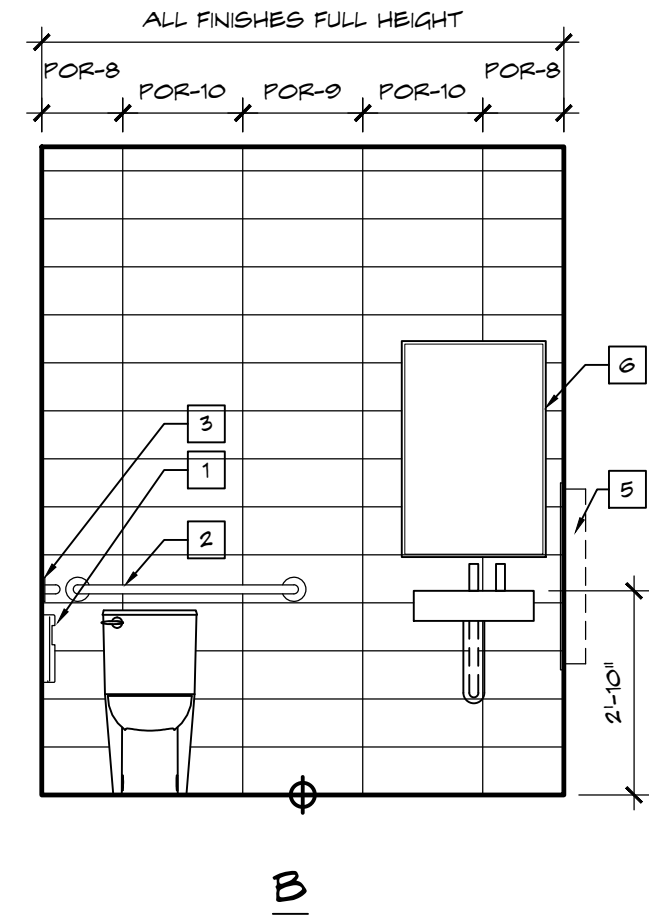


**5 TYPICAL ADULT'S BATHROOM**  
SCALE: 3/8" = 1'-0"

REFER TO INDEX SHEET FOR PLUMBING & ACCESSORY MOUNTING HEIGHTS U.O.N.

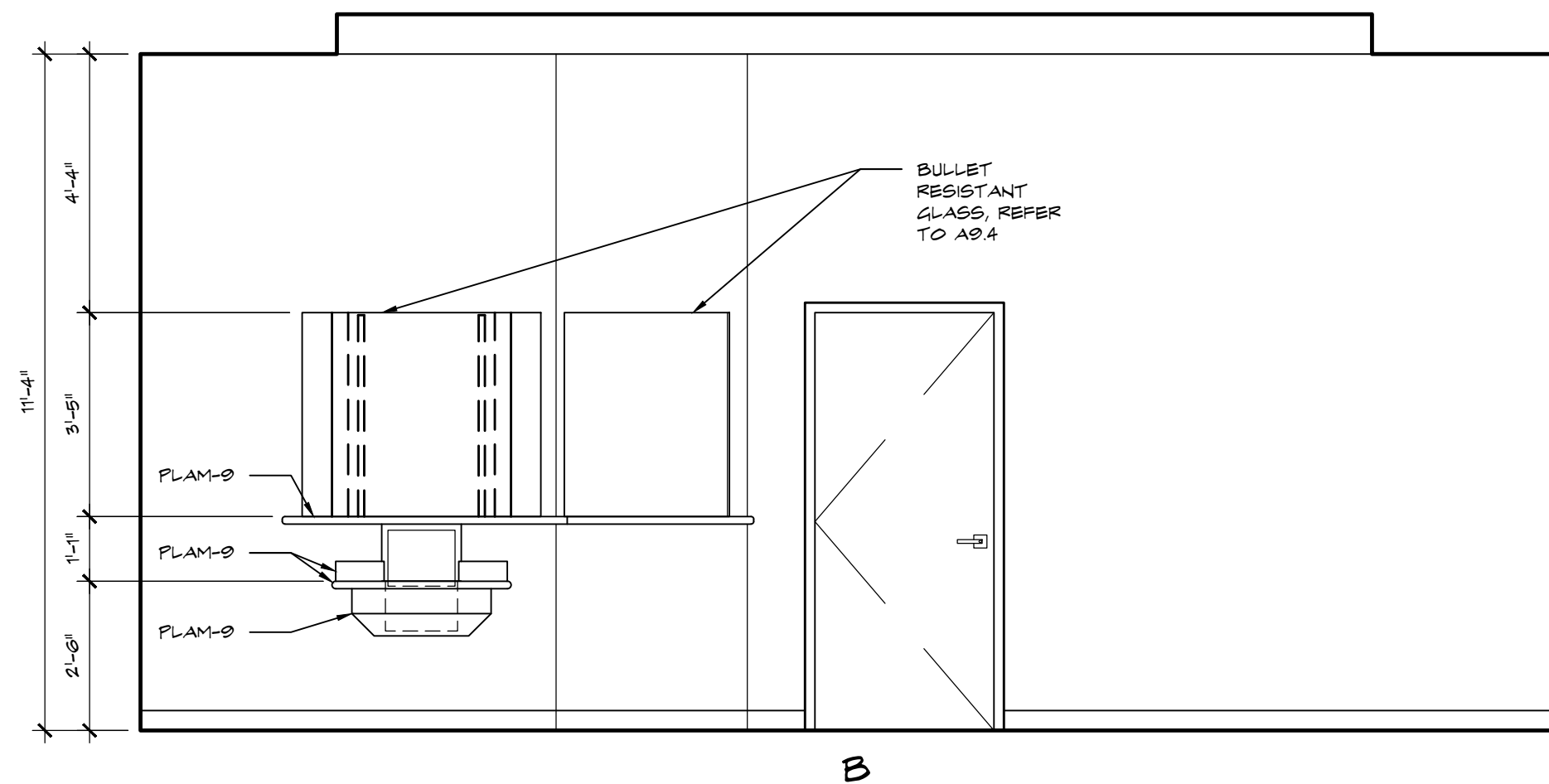
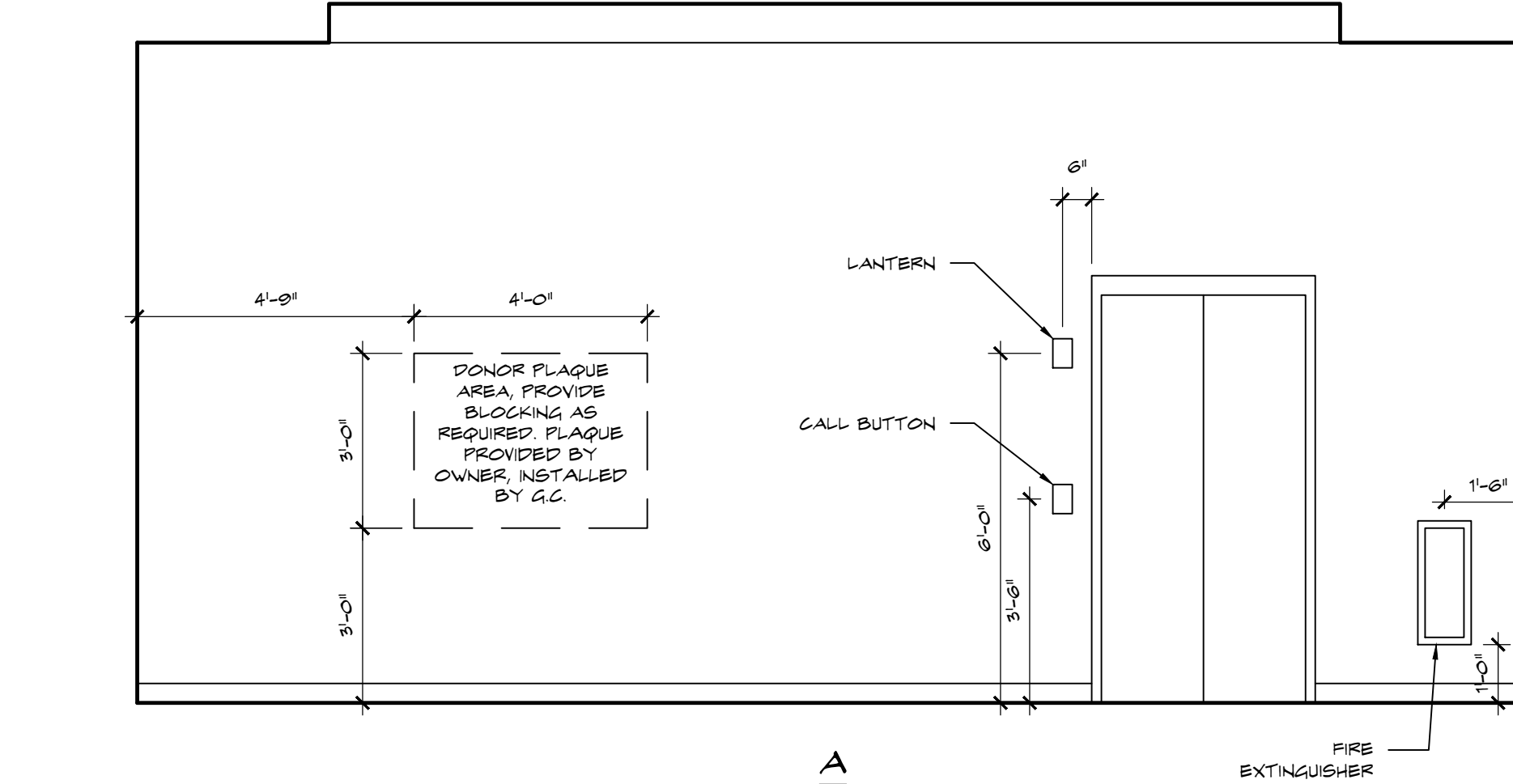


ADULT BATHROOMS:  
125, 126, 128, 129, 203, 204

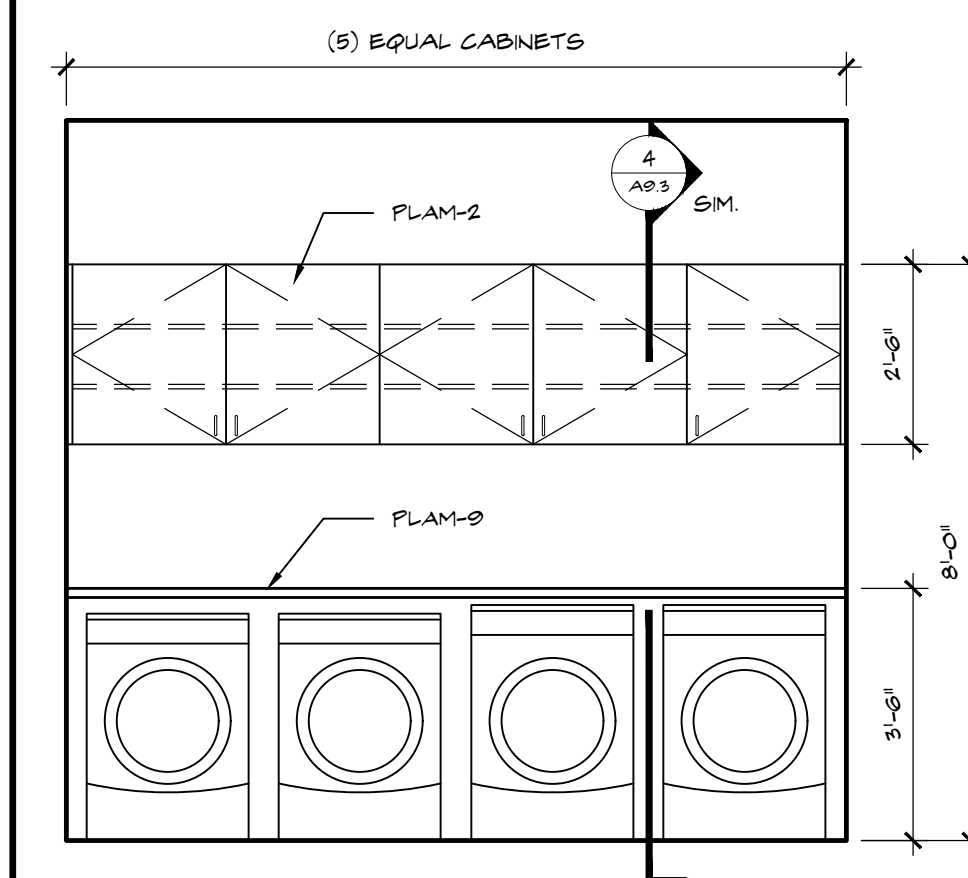
**BATHROOM ACCESSORIES**

- 1 TOILET PAPER HOLDER  
BOBRICK - RECESSED MULTI ROLL TP DISPENSER  
MODEL: B-4388
- 2 36" GRAB BAR  
BOBRICK - STAINLESS W SNAP FLANGE  
MODEL: B-8906
- 3 42" GRAB BAR (REFER TO NOTE 2 FOR SPECIFICATION)
- 4 SANITARY NAPKIN DISPOSAL  
BOBRICK - SATIN FINISH STAINLESS STEEL  
MODEL: B-4393
- 5 PAPER TOWEL TRASH COMBO UNIT  
BOBRICK - TRIMLINE SERIES RECESSED SATIN STAINLESS STEEL  
MODEL: B-38903
- 6 MIRROR  
BOBRICK - 24" X 36" STAINLESS STEEL FRAME  
MODEL: B-2908
- 7 SEAT COVER DISPENSER  
BOBRICK - SURFACE MOUNTED, STAINLESS STEEL SATIN FINISH  
MODEL: B-4521

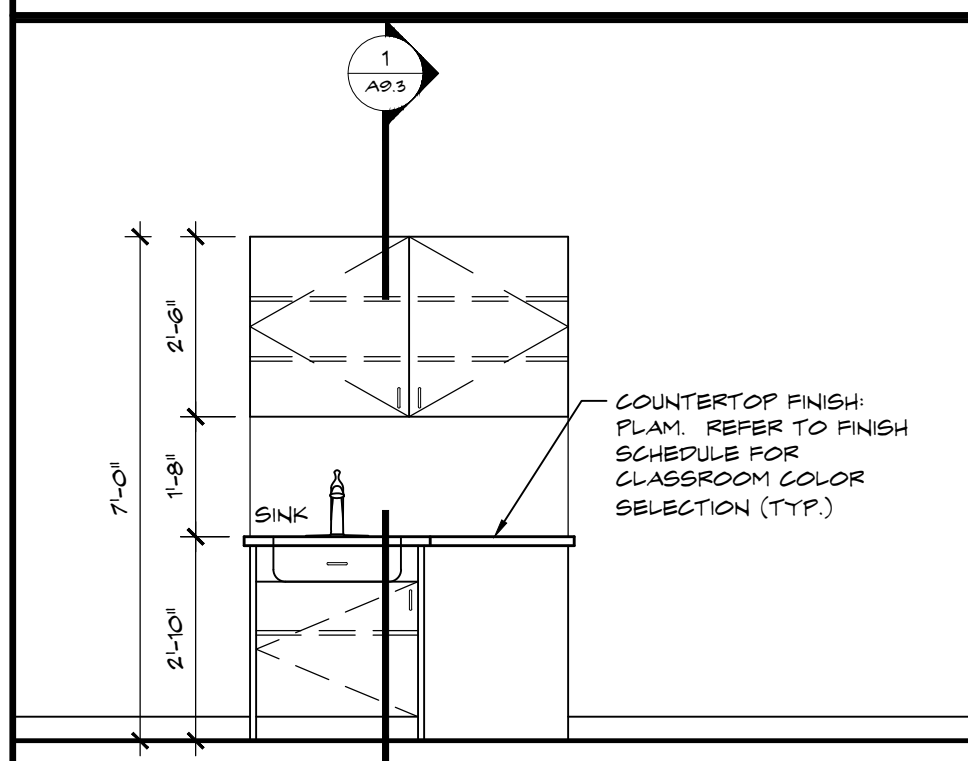
SUBMIT CUT-SHEETS TO THE ARCHITECT FOR APPROVAL



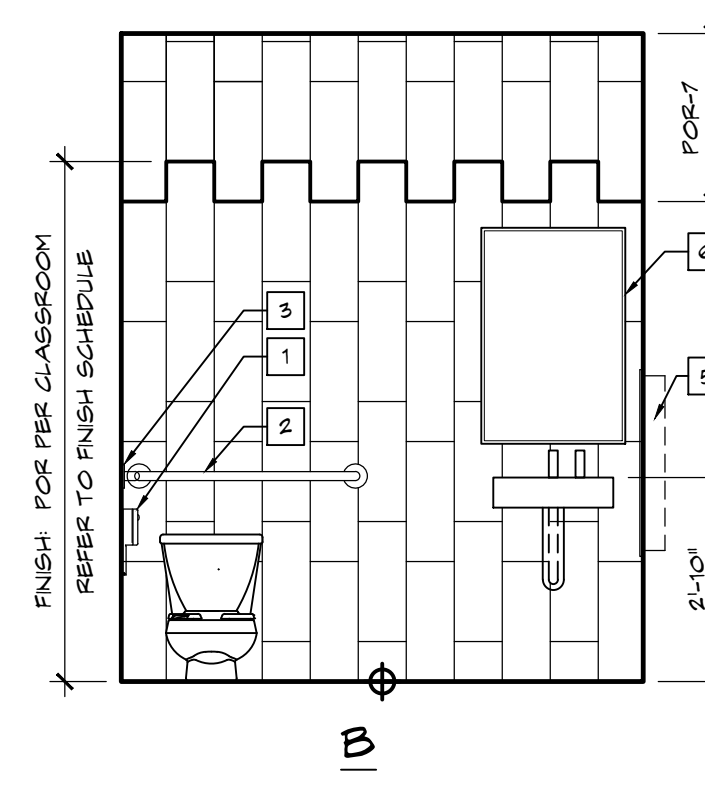
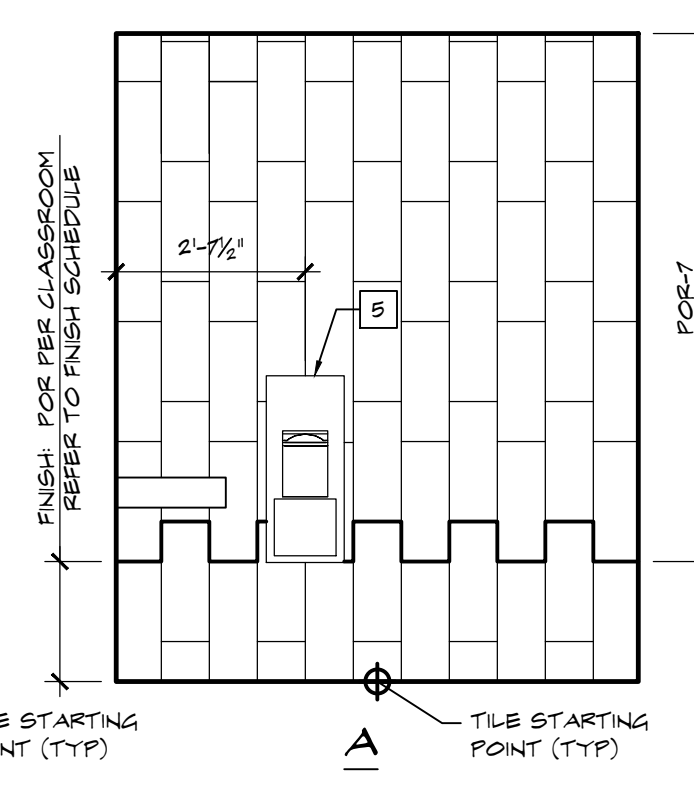
**3 ENTRANCE LOBBY 100**  
SCALE: 3/8" = 1'-0"



**2 LAUNDRY ROOM 130 ELEV.**  
SCALE: 3/8" = 1'-0"



**1B CLASSROOM SINK ELEV.**  
SCALE: 3/8" = 1'-0"

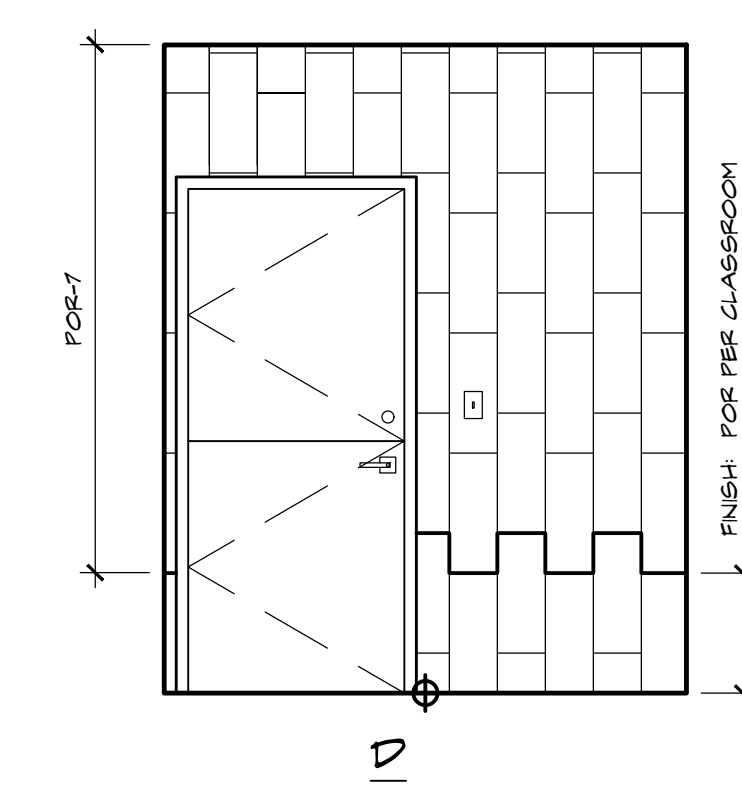


CHILDREN'S BATHROOMS:  
107, 108, 112, 113, 117, 119, 120, 134, 135, 138, 139, 142, 143, 146, 147, 150, 151, 153

**BATHROOM ACCESSORIES**

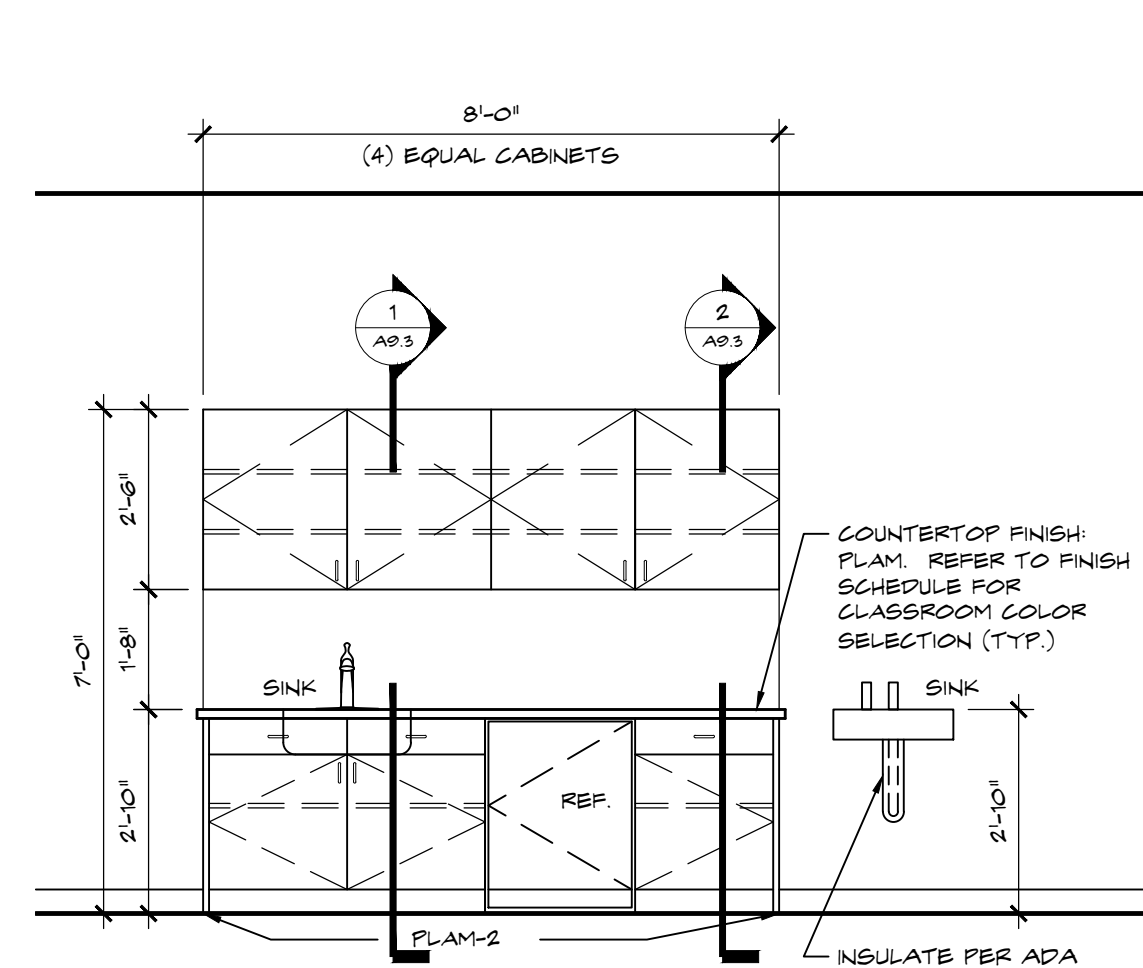
- 1 TOILET PAPER HOLDER  
BOBRICK - RECESSED MULTI ROLL TP DISPENSER  
MODEL: B-4388
- 2 36" GRAB BAR  
BOBRICK - STAINLESS W SNAP FLANGE  
MODEL: B-8906
- 3 42" GRAB BAR (REFER TO NOTE 2 FOR SPECIFICATION)
- 4 SANITARY NAPKIN DISPOSAL  
BOBRICK - SATIN FINISH STAINLESS STEEL  
MODEL: B-4393
- 5 PAPER TOWEL TRASH COMBO UNIT  
BOBRICK - TRIMLINE SERIES RECESSED SATIN STAINLESS STEEL  
MODEL: B-38903
- 6 MIRROR  
BOBRICK - 24" X 36" STAINLESS STEEL FRAME  
MODEL: B-2908
- 7 SEAT COVER DISPENSER  
BOBRICK - SURFACE MOUNTED, STAINLESS STEEL SATIN FINISH  
MODEL: B-4521

SUBMIT CUT-SHEETS TO THE ARCHITECT FOR APPROVAL

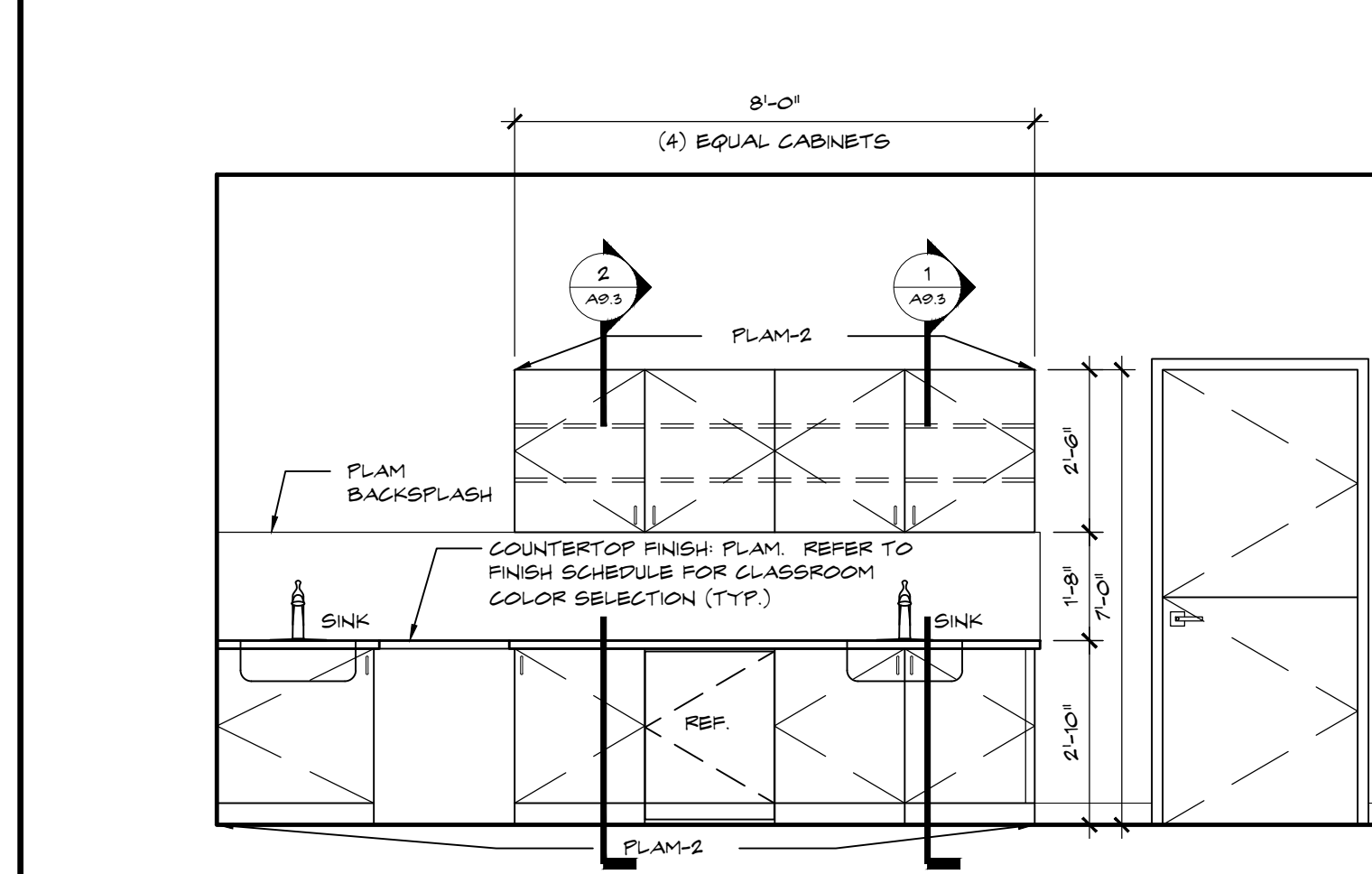


**4 TYP. CHILDREN'S BATHROOM**  
SCALE: 3/8" = 1'-0"

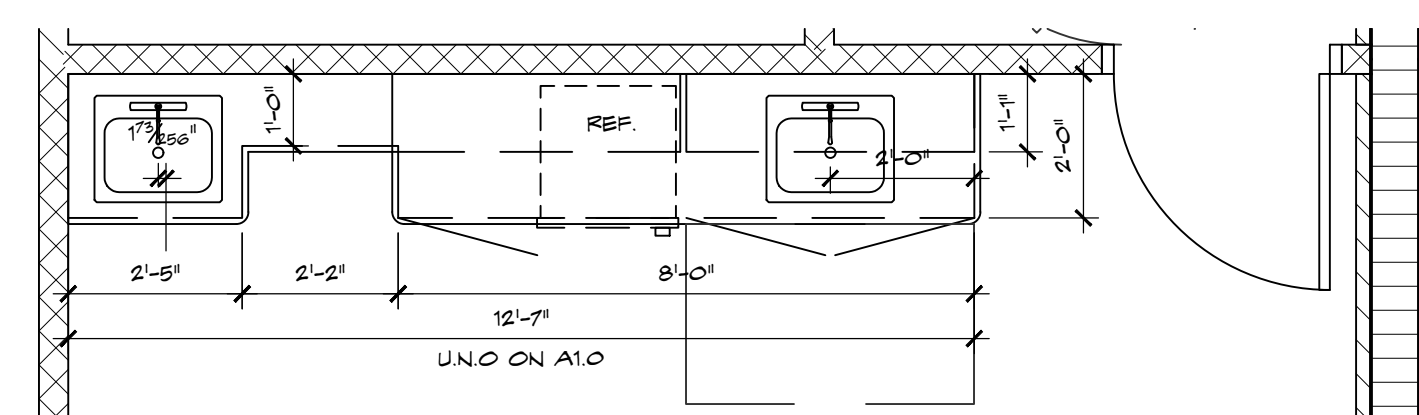
REFER TO INDEX SHEET FOR PLUMBING & ACCESSORY MOUNTING HEIGHTS U.O.N.



**1A TYP. 3-4 YR. OLD WORKSTATION**  
SCALE: 3/8" = 1'-0"



**1 TYP. INFANT - 2 YR. OLD CLASSROOM WORKSTATION**  
SCALE: 3/8" = 1'-0"



THESE DRAWINGS ARE FOR THE EXCLUSIVE USE OF GLIDDEN SPINA + PARTNERS, INC. AND MAY NOT BE DUPLICATED, REPRODUCED OR USED IN ANY MANNER WITHOUT THE EXPRESS WRITTEN CONSENT OF GLIDDEN SPINA + PARTNERS, INC. ALL RIGHTS RESERVED.

Revisions:


Project no: 14224  
Date: 09.09.16  
Drawn by: WS  
Project Architect: WC / DR