

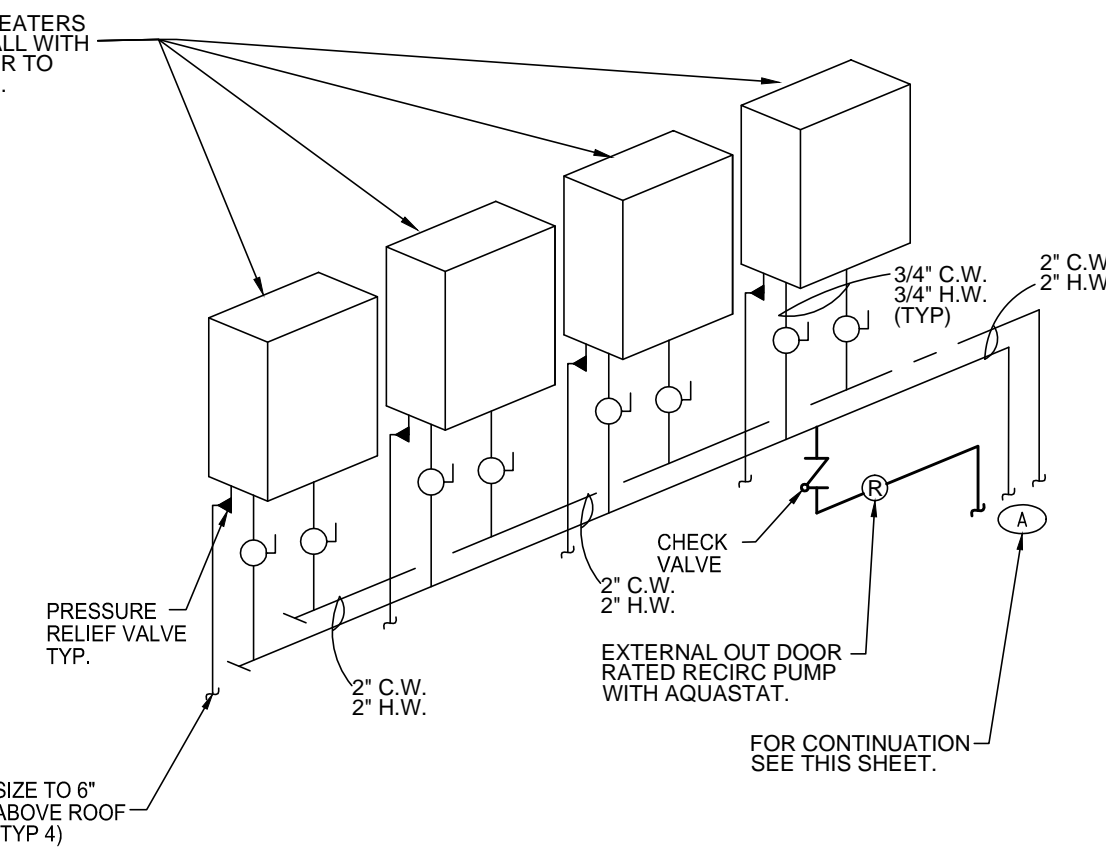
# WATER RISER

NTS

PROVIDE MIXING VALVE THAT CONFORMS WITH ASSE 1070 AT HAND WASHING SINK TO TEMPER HOT WATER DOWN TO 110°F. (TYP)

NEW 2\"/>

(4) NAVIEN TANKLESS WATER HEATERS 199,900 BTUH MOUNTED ON WALL WITH EXTERNAL RECIRC PUMP. REFER TO P0.2 SHEET FOR DETAIL & SPEC.



**PRIOR TO SUBMITTING THE BID, THE CONTRACTOR SHALL FIELD VERIFY ALL EXISTING CONDITIONS AND INFORM THE ARCHITECT AND THE ENGINEER OF ANY DISCREPANCY BETWEEN THESE DOCUMENTS AND THE EXISTING CONDITIONS AND SHALL INCLUDE IN THE BID TO CORRECT THE SAME AS DIRECTED. THE ENGINEER AND THE ARCHITECT, ARE NOT RESPONSIBLE FOR ANY ADDITIONAL COSTS RESULTING FROM VERIFIABLE EXISTING CONDITIONS DISCOVERED AFTER CONTRACT HAS BEEN AWARDED. NO CHANGES SHALL BE MADE TO THESE PLANS WITHOUT PRIOR APPROVAL FROM THE ENGINEER OF RECORD. ALL CHANGES SHALL BE SUBMITTED FOR REVIEW PRIOR TO INSTALLATION. NOT FOR BID UNTIL PERMIT HAS BEEN ISSUED.**

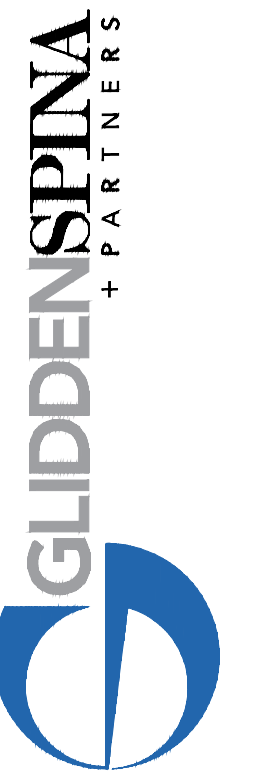
PERMIT / BID SET: 09/07/16



700 WEST HILLSBORO BLVD. - BLDG. #1, SUITE 204  
DEERFIELD BEACH, FLORIDA 33441  
TEL: (561) 391-9292 FAX: (561) 391-9898  
CERTIFICATE OF AUTHORIZATION NO. 28107  
LIRELLA IFRATE, P.E. LICENSE #73122  
STEPHEN F. ROLLIN, P.E. LICENSE #36428  
DONALD H. AUSTIN, JR., PE LICENSE #60651  
JASON BARBER, P.E. LICENSE #73050  
E-MAIL: INFO@FAECONSULTING.COM  
DESIGNED BY: BJ/SKJS PM: BJ P/N 15434

WATER RISER DIAGRAM

207 SIXTH STREET  
WEST PALM BEACH, FLORIDA 33401  
ph: 561.684.6844 • gliddenspina.com  
FL Lic. # AB0503297



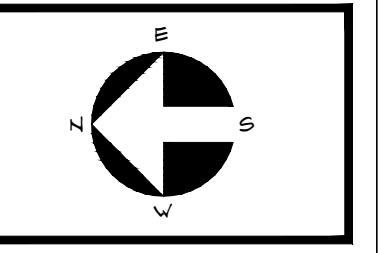
Architecture • Interior Design  
Keith M. Spina # AR13419

New Building For:  
**OPPORTUNITY INC.**  
EARLY LEARNING CENTER  
4171 Westgate Avenue  
Palm Beach County, Florida

THESE DRAWINGS ARE FOR THE EXCLUSIVE USE OF GLIDDEN SPINA + PARTNERS, INC. AND MAY NOT BE DUPLICATED, REPRODUCED OR USED IN ANY MANNER WITHOUT THE EXPRESS WRITTEN CONSENT OF GLIDDEN SPINA + PARTNERS, INC. ALL RIGHTS RESERVED.

Revisions:  
08-04-16 COORDINATION.

Project no: 15435  
Date: 09.09.16  
Drawn by: RB/SKJS  
Project Architect: BJ



**P4.4**  
09.09.16 BID/PERMIT