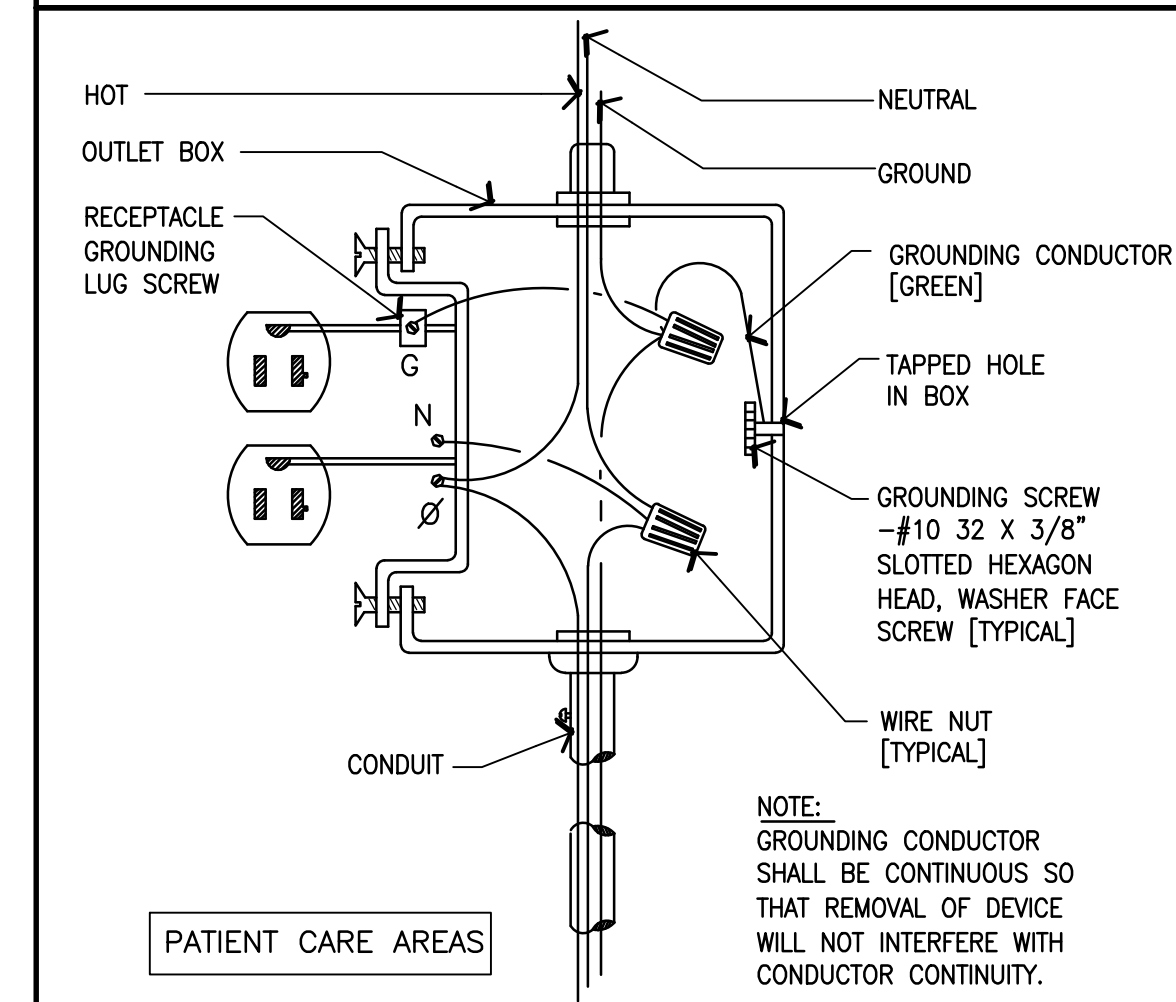
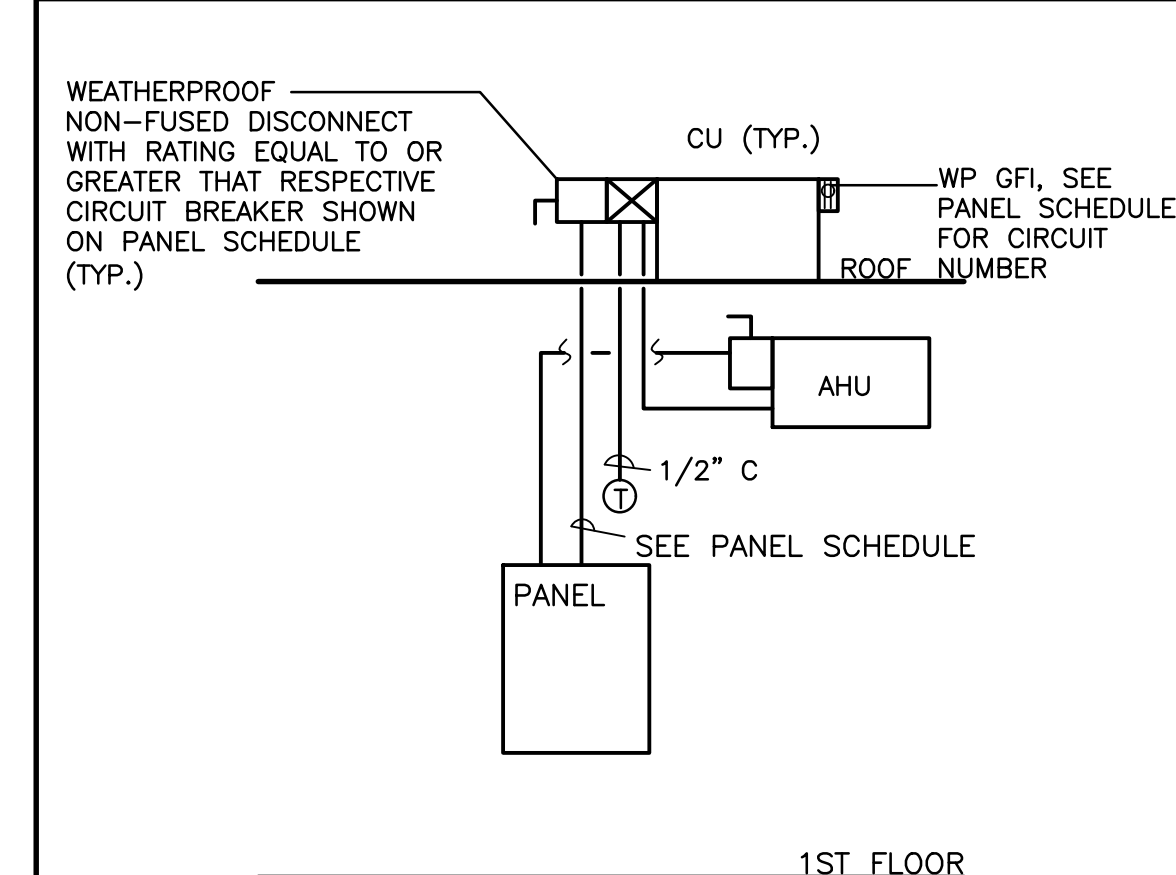


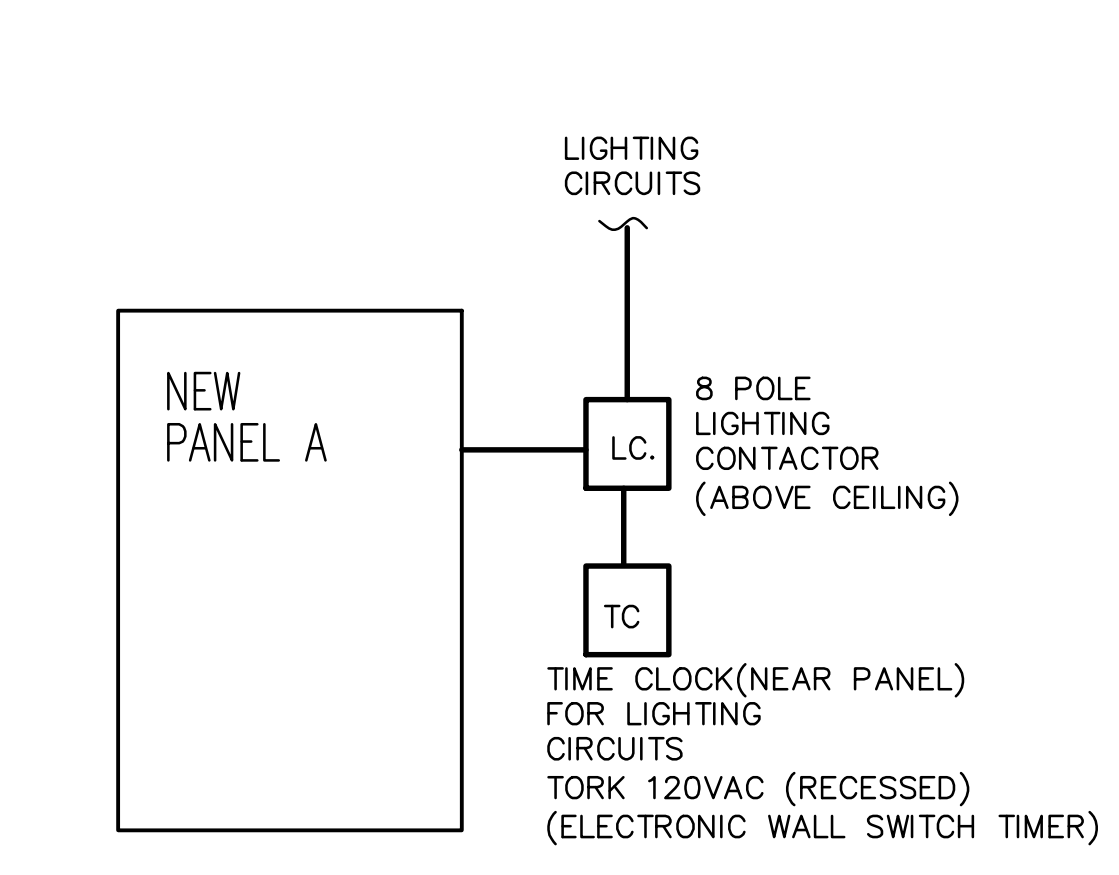
**DEVICE INSTALLATION DIAGRAM**  
NOT TO SCALE



**GROUND RECEPTACLE DIAGRAM**  
N.T.S.



**CU POWER DIAGRAM**  
N.T.S.



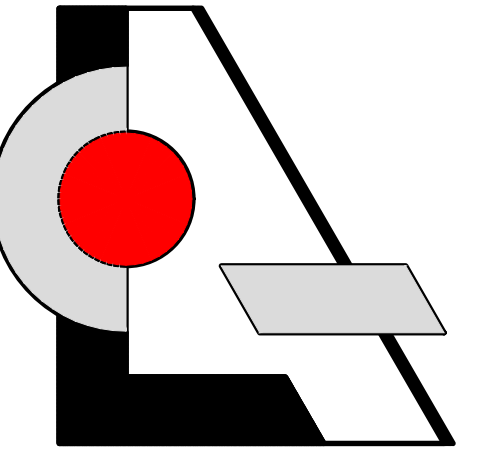
EXISTING PANEL "AC-2"														
RATED VOLTAGE: 120/208V, 3PH, 4W						LOCATION: SEE PLAN								
RATED AMPS: 400 AMPS						MOUNTING: EXIST.								
MAIN: 200 MLO						FEEDER CONDUCTOR: EXIST. #3/0 CU								
BRANCH POLES: 42						FEEDER CONDUIT: EXIST.								
INTERRUPTING RATE:						MANUFACTURER CAT.#: EXIST.								
BUS KVA			DESCRIPTION	BRK TRP/PLS	WIRE/ COND. NO.	CKT NO.	WIRE/ COND.	BRK TRP/PLS	DESCRIPTION	BUS KVA				
A	B	C								A	B	C		
1.9			AHU-7	25/2	#10-3/4"	1	2	EXIST.	30/3	CU-1 (EXIST.)				
	1.9		AHU-2 (EXIST.)	30/2	EXIST.	5	6							
			AHU-3 (EXIST.)	35/2	EXIST.	9	10	EXIST.	30/3	CU-2 (EXIST.)	1.6			
			AHU-5 (EXIST.)	25/2	EXIST.	13	14	EXIST.	35/3	CU-3 (EXIST.)	1.4			
3.3			AHU-6 (EXIST.)	25/2	EXIST.	17	18					1.6		
	3.3		AHU-1 (EXIST.)	25/2	EXIST.	21	22	EXIST.	30/3	CU-5 (EXIST.)				
			SPACE			25	26	EXIST.	30/3	CU-6 (EXIST.)				
			SPACE			27	28							
1.9			AHU-8	25/2	#10-3/4"	29	30							
	1.9		AHU-8	25/2	#10-3/4"	31	32	#12-3/4"	20/2	CU-7				
			AHU-8	25/2	#10-3/4"	33	34	#12-3/4"	20/2	CU-8				
8.8			PANEL A	100/3	#3-1 1/4"	37	38	#12-3/4"	20/2	CU-9				
			PANEL A	100/3	#3-1 1/4"	39	40	#12-3/4"	20/2	CU-9				
			PANEL A	100/3	#3-1 1/4"	41	42	#12-3/4"	20/2	CU-9				
19.2	19.2	18.8	TOTAL								3.0	3.0	3.0	
TOTAL BUS KVA			A: 22.2 KVA			TOTAL CONNECTED LOAD: 66.2 KVA = 183.9 AMPS			B: 22.2 KVA			TOTAL DEMAND LOAD (ADD 25% TO LIGHTING) : 26.7 KVA = 74.2 AMPS		
			C: 21.8 KVA			DEMAND LOAD (LIGHTS @ 125%): 66.8 KVA = 185.5 AMPS								

\* NON-CONCURRENT LOADS - FAN ONLY

THIS PANEL IS FED FROM EXIST. MDP IN FIRST FLOOR ELECTRICAL ROOM AND PROTECTED WITH 200A BREAKER

CONTRACTOR SHALL COORDINATE ACTUAL A/C UNIT NUMBERING WITH LOCATIONS SHOWN ON PLAN.

NEW PANEL: "LOAD CENTER A"														
RATED VOLTAGE: 120/208V, 3PH, 4W						LOCATION: SEE PLAN								
RATED AMPS: 125 AMPS						MOUNTING: RECESS								
MAIN: MLO (CU BUSS)						FEEDER CONDUCTORS: (4) #3 CU								
BRANCH POLES: 30						FEEDER CONDUIT: SIEMENS								
						MANUFACTURER CAT.#: 1 1/4"								
BUS KVA			DESCRIPTION	BRK TRP/PLS	WIRE/ COND. NO.	CKT NO.	WIRE/ COND.	BRK TRP/PLS	DESCRIPTION	BUS KVA				
A	B	C								A	B	C		
0.8			RECEPTACLES CONFERENCE ROOM	20/1	#12-1/2"	1	2	20/1	#12-1/2"	RECEPTACLES WORKROOM	1.3			
	0.8		RECEPTACLES CONFERENCE ROOM	20/1	#12-1/2"	3	4	20/1	#12-1/2"	RECEPTACLES OFFICE		1.3		
		0.9	RECEPTACLES WORKROOM	20/1	#12-1/2"	5	6	20/1	#12-1/2"	IT/DATA			0.4	
0.4			IT/DATA	20/1	#12-1/2"	7	8	20/1	#12-1/2"	RECEPTACLES OFFICE	1.1			
	1.5		MODULAR FURNITURE	20/1	#12-1/2"	9	10	20/1	#12-1/2"	COPIER		1.5		
		1.5	MODULAR FURNITURE	20/1	#12-1/2"	11	12	20/1	#12-1/2"	RECEPTACLES OFFICE			0.9	
1.5			MODULAR FURNITURE	20/1	#12-1/2"	13	14	20/1	#12-1/2"	MODULAR FURNITURE	1.5			
		1.5	MODULAR FURNITURE	20/1	#12-1/2"	15	16	20/1	#12-1/2"	MODULAR FURNITURE		1.5		
		1.1	LIGHTS WORKROOM	20/1	#12-1/2"	17	18	20/1	#12-1/2"	MODULAR FURNITURE			1.5	
0.7			OFFICE	20/1	#12-1/2"	19	20	20/1	#12-1/2"	MODULAR FURNITURE	1.5			
	0.7		OFFICE	20/1	#12-1/2"	21	22	20/1	#12-1/2"	SPACE				
		1.3	LIGHTS OFFICE & CONF. ROOM	20/1	#12-1/2"	23	24	20/1	#12-1/2"	RECEPTACLES OFFICE			0.9	
-			SPACE	20/1	#12-1/2"	25	26			SPACE				
			SPACE			27	28			SPACE				
			SPACE			29	30			SPACE				
3.4	4.5	4.8	TOTAL								5.4	4.3	3.7	
TOTAL BUS KVA			A: 8.8 KVA			TOTAL CONNECTED LOAD: 26.1 KVA = 72.5 AMPS			B: 8.8 KVA			TOTAL DEMAND LOAD (ADD 25% TO LIGHTING) : 26.7 KVA = 74.2 AMPS		
			C: 8.5 KVA											



**LCA** AA 003432  
Architecture, Inc.  
1975 Sansbury's Way  
Suite 108  
West Palm Beach, FL 33411  
Phone: (561) 493-4787  
Fax: (561) 493-4786

REVISIONS / DATE

Interior Improvement for  
**Advantone Florida, Inc.**  
855 SW 78th Ave. - Atrium "C" - Suite #202  
Plantation, Florida 33324

LES LAW A. CZACZYK AIA  
AR 00015391  
PROJ. NO. 16180.well  
DESIGNED BY LAC  
DRAWN BY MSB  
DATE 07/25/16  
SCALE AS SHOWN

**ELECTRICAL NOTES**  
RISERS  
DIAGRAMS