

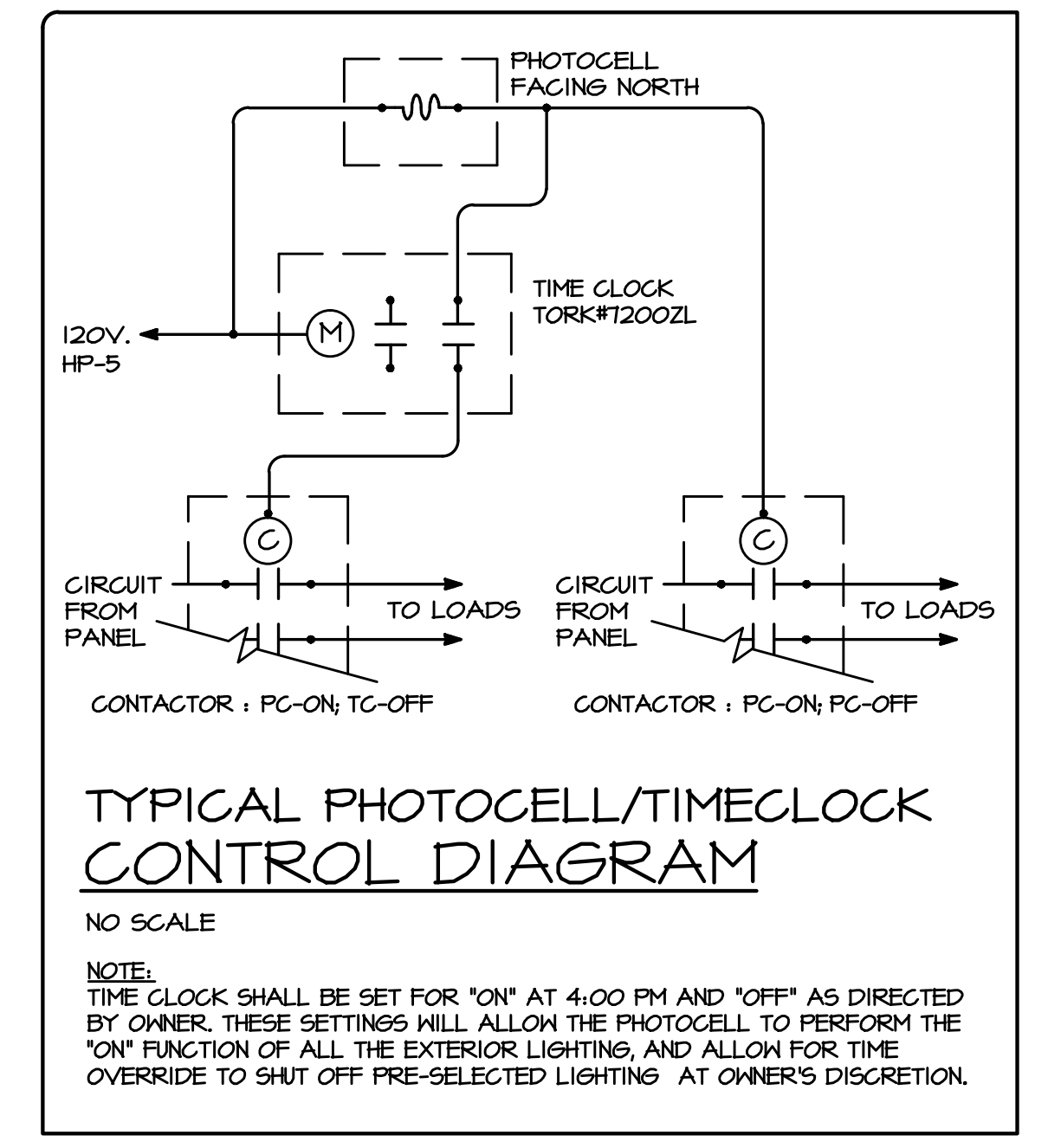
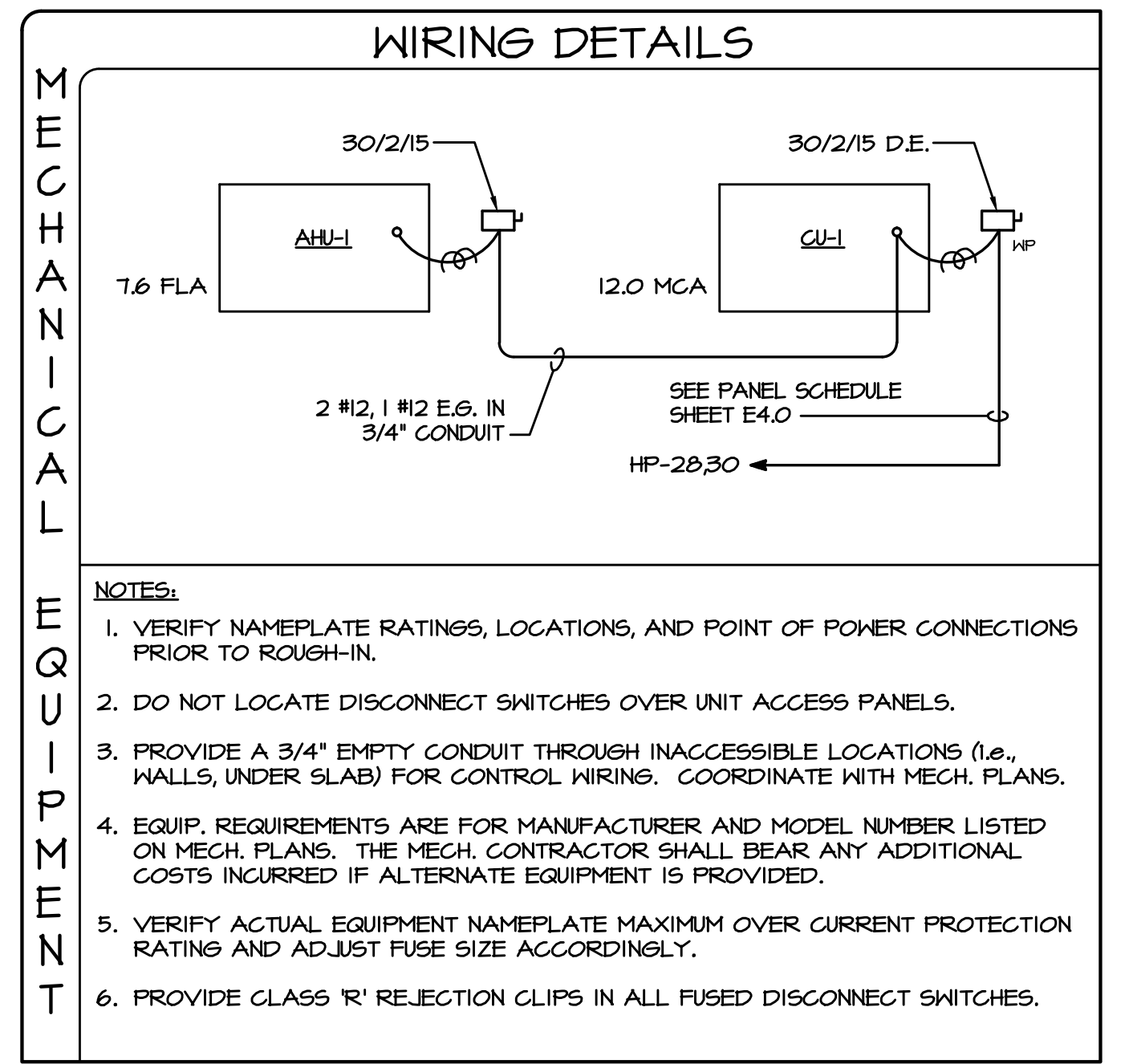
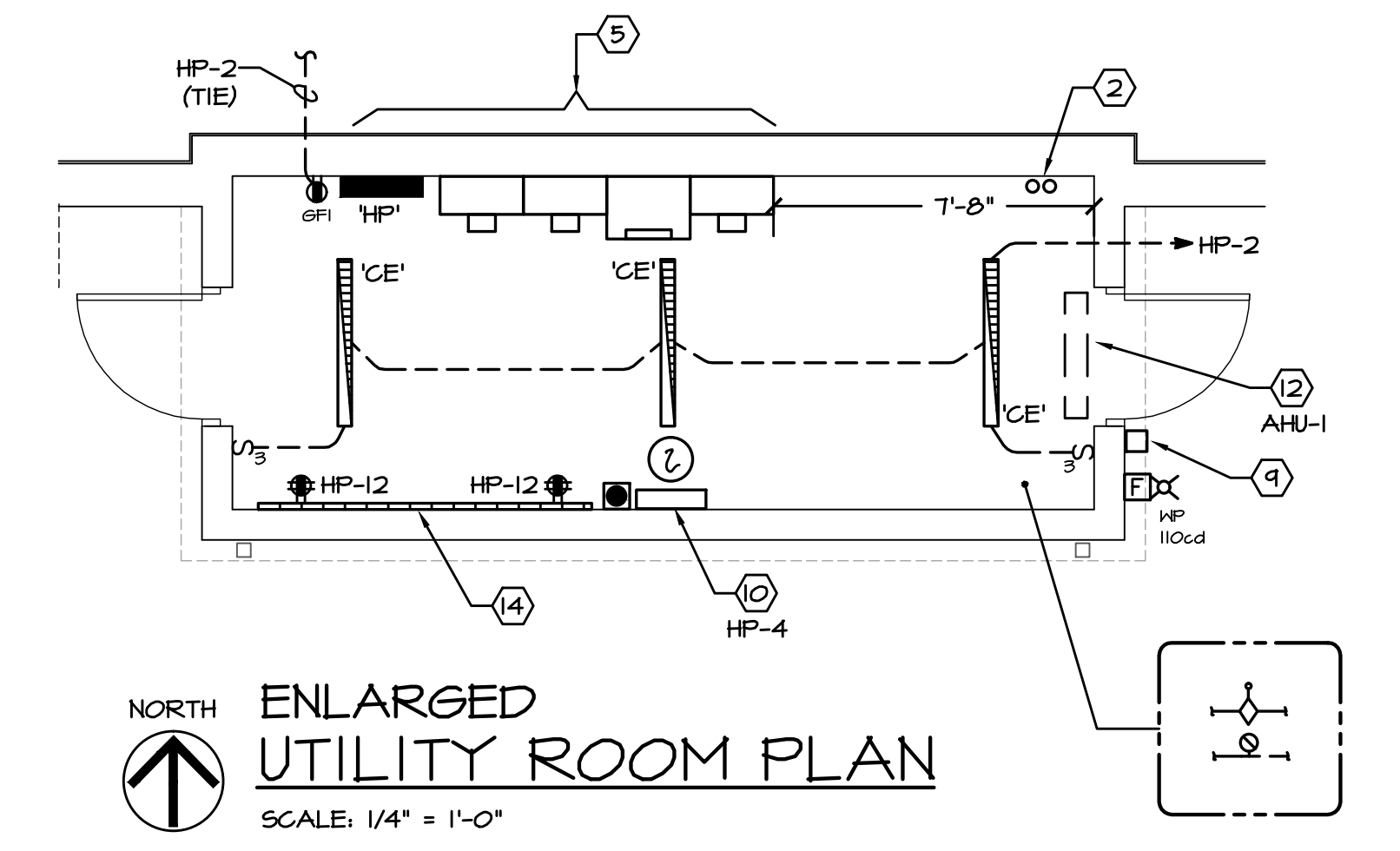
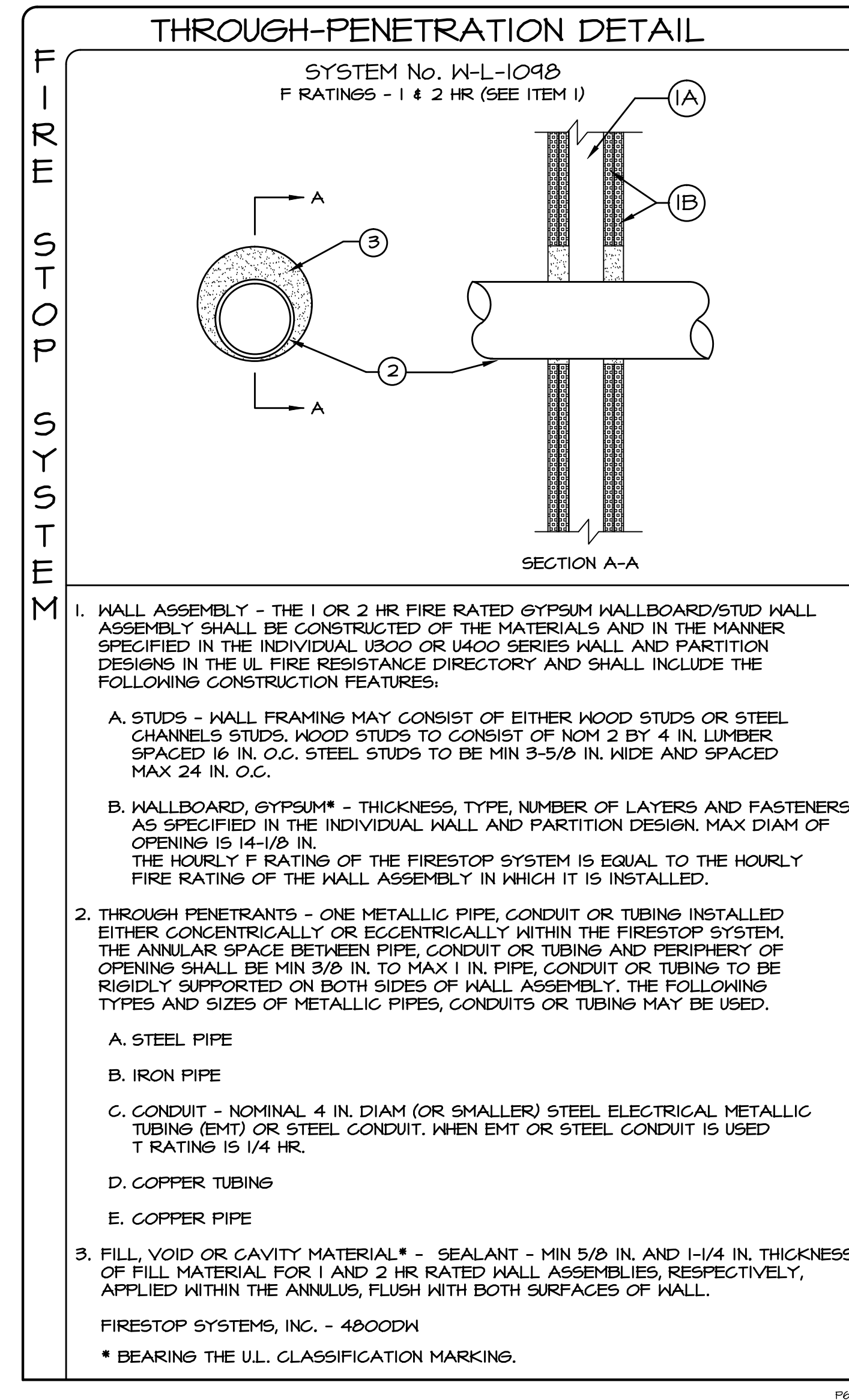
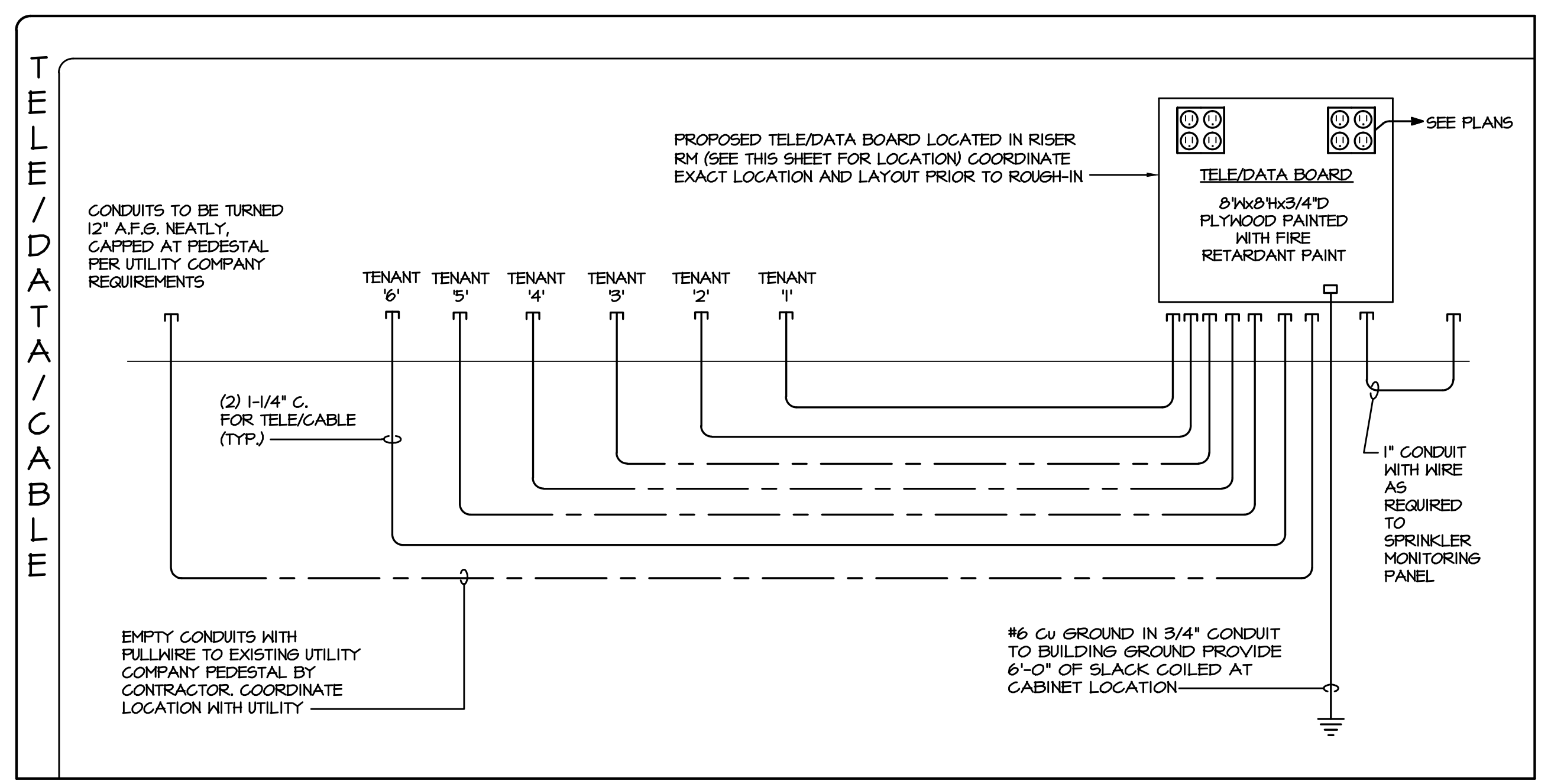
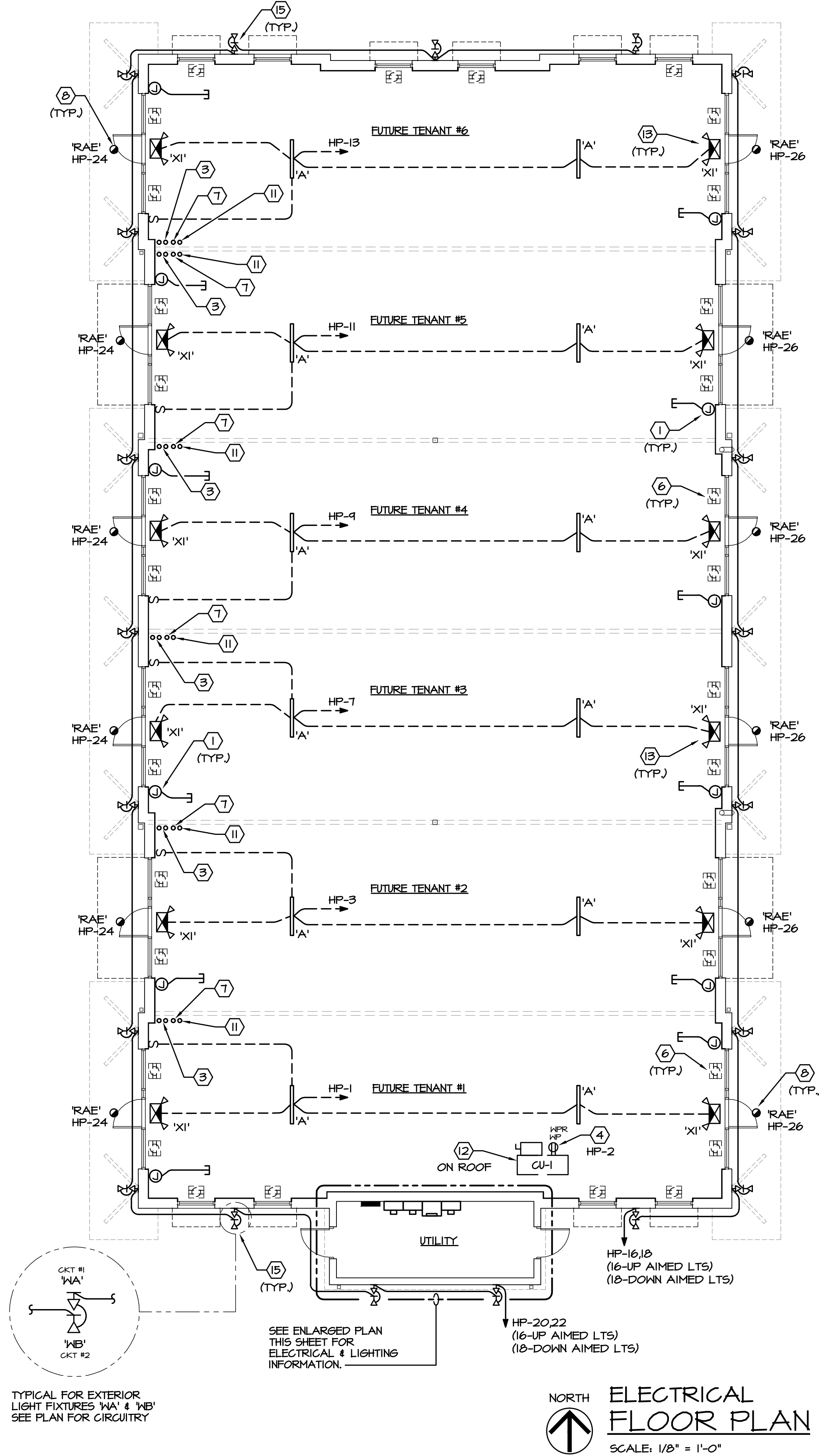
FIXTURE SCHEDULE								
TYPE	MANUFACT.	CATALOG No.	DESCRIPTION	VOLT	LAMPS	MOUNTING	REMARKS	WATTS
A	DAY-BRITE	T232-UNV-1/4-EB	4-FT, 2-LAMP GENERAL PURPOSE STRIP	120	(2) F32T8-835	SURFACE	-	50
CE	DAY-BRITE	T232-UNV-1/2EB-E5	4-FT, 2-LAMP STANDARD STRIP, RAPID START BALLAST	120	(2) F32T8-835	CHAN-HANG AT 8'-0" AFF.	WITH 1400 LUMEN BATTERY BALLAST WIRED FOR TWO LAMPS	50
WA	BK LIGHTING	B-DS-NR-0360-CBA-10-A-360SL-POWER CANOPY SYSTEM-B-C-TRE20-CBA-1-120	WALL MOUNTED EXTERIOR LED FIXTURE, POINTING DOWN	120	SORAA-SM16-OT-36D-440-3	WALL MOUNT	WALL LED FIXTURE AIMING DOWN	15
WB	BK LIGHTING	B-DS-NR-0360-CBA-10-A-360SL-POWER CANOPY SYSTEM-B-C-TRE20-CBA-1-120	WALL MOUNTED EXTERIOR LED FIXTURE, POINTING UP	120	SORAA-SM16-OT-36D-440-3	WALL MOUNT	WALL LED FIXTURE AIMING UP	15
RAE	PHILIPS	FRAME-P4R-D-20-N-ZIO-U-VB-EM LTR ENG-P4R-D-8-40-VB REFLECTOR-P4R-D-CG	EXTERIOR LED RECESSED	120	L.E.D.	RECESSED	WITH EMERGENCY BATTERY	30
XI	DUAL LITE	LTUR4	EMERGENCY LIGHTING/EXIT SIGN COMBINATION WITH RED LETTERS	120	L.E.D.	UNIVERSAL	WITH BATTERY PACK	10

CBA = COLOR SELECTED BY ARCHITECT.

LIGHTING FIXTURE SCHEDULES NOTES:

- ALL FLUORESCENT LIGHTING FIXTURES SHALL HAVE ENERGY SAVING T5, T5HO, OR T8 LAMPS WITH ELECTRONIC BALLASTS AS SHOWN IN THE SCHEDULE.
- PROVIDE NECESSARY MOUNTING HARDWARE AND ACCESSORIES. ALL FIXTURES, ACCESSORIES SHALL INCLUDE ALL HARDWARE TO MOUNT FIXTURES AS SHOWN ON SCHEDULES AND/OR DESCRIBED IN THE NOTES.
- ALL FIXTURE SUBSTITUTIONS MUST BE SUBMITTED FOR APPROVAL (EQUALS ONLY).
- BALLASTS SHALL BE AS MANUFACTURED BY ADVANCE AS FOLLOWS; NO SUBSTITUTION.
 - T8 BALLASTS - ADVANCE, OPTIMUM SERIES
 - ELECTRONIC PROGRAMMED START, UNIVERSAL VOLTAGE
 - T5 BALLASTS - ADVANCE, ZENITHUM T5 SERIES
 - ELECTRONIC PROGRAM START, UNIVERSAL VOLTAGE
- ALL EMERGENCY, EXIT, AND NIGHT LIGHT FIXTURES SHALL BE CONNECTED AHEAD OF LOCAL SWITCHES, RELAYS, OR CONTACTORS UNLESS OTHERWISE NOTED.
- ALL PRE SUBMITTALS SHALL BE ACCOMPANIED WITH PHOTOMETRIC DATA.
- ALL FIXTURES SHALL BE SUPPORTED FROM STRUCTURE AND NOT FROM SUSPENDED CEILING SYSTEM.
- EQUAL ACCEPTED MANUFACTURERS ARE: DAY-BRITE, METALUX, LTHONIA, AND COLUMBIA. EVEN THOUGH THESE MANUFACTURERS ARE ACCEPTED A TEN DAY PRIOR APPROVAL MUST BE SUBMITTED FOR EVALUATION.
- CATALOG NUMBER ON FIXTURE SCHEDULE MAY NOT REFERENCE EVERY HARDWARE COMPONENT REQUIRED TO MOUNT FIXTURE AS INTENDED, VERIFY WITH MANUFACTURER FOR PROPER MOUNTING HARDWARE AND ANY ADDITIONAL COMPONENTS REQUIRED TO MOUNT FIXTURE AS INTENDED OR SHOWN.
- ALL LINEAR TYPE FLUORESCENT LUMINAIRES SHALL COMPLY WITH N.E.C. 410.75(6) FOR BALLAST DISCONNECT.
- LAMPS SHALL BE ENERGY SAVING WITH COLOR TEMPERATURE AS SHOWN ON SCHEDULE WITH MINIMUM CRI OF 82.
- LAMPS SHALL BE BY SYLVANIA, GE, OR PHILIPS, EXCEPT WHEN SUCH LAMPS ARE NOT AVAILABLE FROM THESE MANUFACTURERS, OR SPECIFIED OTHERWISE IN SCHEDULE.
- SHOP DRAWINGS SHALL INCLUDE:
 - A. COMPLETE FIXTURE CUT SHEETS INCLUDING PHOTOMETRICS.
 - B. BALLAST CUT SHEETS.
 - C. WHERE COLOR SELECTION IS REQUIRED, COLOR CHART SHALL BE PROVIDED WITH THE SHOP DRAWINGS FOR SELECTION BY ARCHITECT/OOWNER.
 - D. LAMP CUT SHEETS.
- SHOP DRAWINGS SHALL BE PREPARED BY MANUFACTURER'S REPRESENTATIVE, AND NOT BY CONTRACTOR.
- CONTRACTOR SHALL PROVIDE ALL OF THE REQUIRED DATA LISTED ABOVE WITH THE SHOP DRAWINGS.
- UNLESS OTHERWISE NOTED, (N) DENOTES A NIGHT LIGHT FIXTURE. NIGHT LIGHT FIXTURES SHALL BE UNSWITCHED. EMERGENCY BALLAST SHALL BE TIED TO A CONSTANT HOT AHEAD OF LOCAL SWITCHING AND/OR CONTROL PANEL.
- BATTERY BALLAST IN THE FLUORESCENT FIXTURES SHALL BE UL 924 LISTED AND COMPLY WITH NFPA 70 (LIFE SAFETY CODE SECTION 74.9, THE SYSTEM SHALL BE PERIODICALLY TESTED PER NFPA 70 SECTION 74.9.1.1.

- NOTES**
- PROVIDE HEATHERPROOF JUNCTION BOX FOR SIGNAGE WITH 3/4" CONDUIT STUBBED INTO SPACE AT ACCESSIBLE LOCATION. WIRING, DISCONNECT SWITCHES, AND FINAL CONNECTION BY TENANT IMPROVEMENT CONTRACTOR. COORDINATE EXACT LOCATION WITH OWNER AND TENANT. J-BOX SHALL BE LOCATED WITHIN 6'-0" OF THE SIGN.
 - SPARE CONDUIT LOCATION ORIGINATED AT THE UTILITY TRANSFORMER. SEE SHEETS E1.0 AND E4.0.
 - TENANT PHONE/CABLE SERVICE CONDUITS STUB-UP. COORDINATE EXACT LOCATION WITH OWNER'S CONSTRUCTION MANAGER AND TENANT. REFER TO DETAIL ON THIS SHEET FOR SIZE AND QUANTITY, CAP AND LABEL.
 - ROOF TOP UNIT MAINTENANCE RECEPTACLE MOUNTED ON SIDE OF THE UNIT. COORDINATE EXACT LOCATION WITH MECHANICAL CONTRACTOR PRIOR TO ROUGH-IN.
 - ELECTRICAL SERVICE LOCATION. REFER TO POWER RISER DIAGRAM ON SHEET E4.0 FOR ADDITIONAL INFORMATION.
 - FUTURE SHOP WINDOW RECEPTACLES IN ACCORDANCE WITH NEC 210.62 TO BE FINISHED AND INSTALLED AT TIME OF TENANT IMPROVEMENTS.
 - ONE 1" CONDUIT WITH FILLWIRE TO SPRINKLER MONITORING PANEL IN SPRINKLER RISER ROOM FOR FUTURE USE.
 - RECESSED DOWN LIGHT WITH BATTERY BALLAST.
 - COORDINATE INSTALLATION OF KNOX BOX WITH LOCAL FIRE MARSHAL PRIOR TO ROUGH-IN. MOUNT AT 5'-0" A.F.F.
 - SPRINKLER MONITORING SYSTEM PANEL SEE SHEET E3.0 FOR ADDITIONAL INFORMATION.
 - TENANT ELECTRICAL SERVICE CONDUIT STUB-UPS. COORDINATE EXACT LOCATION WITH OWNER'S CONSTRUCTION MANAGER AND TENANT. REFER TO POWER RISER DIAGRAM ON SHEET E4.0 FOR CONDUIT SIZE AND QUANTITIES. CAP AND LABEL ACCORDINGLY.
 - HVAC EQUIPMENT. REFER TO MECHANICAL EQUIPMENT WIRING DETAIL ON THIS SHEET FOR ADDITIONAL INFORMATION. COORDINATE WITH MECHANICAL CONTRACTOR PRIOR TO PERFORMING ANY WORK ASSOCIATED TO THIS EQUIPMENT.
 - COMBINATION EXIT/EMERGENCY LIGHT TO BE CONNECTED TO LOCAL LIGHTING CIRCUIT AHEAD OF SWITCHING OR CONTROL.
 - TELE/DATA BOARD. REFER TO DETAIL ON THIS SHEET FOR ADDITIONAL INFORMATION. VERIFY POINT OF CONNECTION WITH SERVICE PROVIDERS, AND EXACT LOCATION OF TELE/DATA BOARD WITH OWNER PRIOR TO ROUGH-IN.
 - TWO LIGHT FIXTURES, ONE AIMED UPWARD AND ONE AIMED DOWNWARD. SEE ARCHITECTURAL ELEVATIONS FOR EXACT MOUNTING HEIGHTS AND LOCATION AND PROVIDE THE FOLLOWING: ACCORDINGLY, UP AIMED LIGHTS SHALL BE TIED TO ONE CIRCUIT AND THE DOWN AIMED LIGHTS SHALL BE TIED TO THE OTHER CIRCUIT.



api+
2709 Rocky Point Dr. 201 T 813 + 281 9299
Tampa, Florida 33607 USA F 813 + 281 9292
License No AAC001935 **apiplus.com**

BULLETIN LOG

minto

WESTLAKE AUXILIARY SALES CENTER
CITY OF WESTLAKE PALM BEACH COUNTY, FLORIDA

ISSUE DATE: 09-30-16
ISSUED FOR: PERMIT - BUILDING SHELL ONLY
© AS DATED ARCHITECTURE PLUS INTERNATIONAL, INC.

REVISION LOG

STATE REGISTRATIONS
FL #A001935
SC #6109
TN #00102675

Juan F. Romero, AIA, License No. AR0007793
TO THE BEST OF THE KNOWLEDGE OF THE ARCHITECTS AND ENGINEERS, SEE PLANS AND SPECIFICATIONS CONFORM WITH THE APPLICABLE MINIMUM PERMITS CODES AND THE APPLICABLE MINIMUM PERMITS CODES AND THE

WESTLAKE AUXILIARY SALES CENTER
PROJECT NAME

ELECTRICAL FLOOR PLANS
SHEET NAME

PROJECT NUMBER: 2016.082
DRAWN BY: R.L. CHECKED BY: S.C.

SCALE: AS NOTED

E2.0
SHEET NUMBER

CHEHAYEB & ASSOCIATES, INC.
CONSULTING PROFESSIONAL ENGINEERS
3702 AZURE ST. TAMPA, FL 33609 (813) 876-1415 (fax) 876-0913
LIC. #49521 SOUTH FLORIDA CERT. #7340 16-115 (R)