

2014 FLORIDA BUILDING CODE, ENERGY CONSERVATION (5TH EDITION)

SECTION C405.7 ELECTRIC POWER

C405.7.1.1 FEEDERS AND CUSTOMER-OWNED SERVICE CONDUCTORS
FEEDER AND CUSTOMER-OWNED SERVICE CONDUCTORS ARE SIZED FOR A MAXIMUM VOLTAGE DROP OF 2 PERCENT AT DESIGN LOAD.

C405.7.1.2 BRANCH CIRCUITS
BRANCH CIRCUIT CONDUCTORS ARE SIZED FOR A MAXIMUM VOLTAGE DROP OF 3 PERCENT AT DESIGN LOAD.

C405.7.1.4 DRAWINGS
CONSTRUCTION DOCUMENTS HEREBY REQUIRE THAT WITHIN 30 DAYS AFTER THE DATE OF SYSTEM ACCEPTANCE, RECORD DRAWINGS OF THE ACTUAL INSTALLATION SHALL BE PROVIDED TO THE BUILDING OWNER, INCLUDING:

- A SINGLE-LINE DIAGRAM OF THE BUILDING ELECTRICAL DISTRIBUTION SYSTEM.
- FLOOR PLANS INDICATING LOCATION AND AREA SERVED FOR ALL DISTRIBUTION.

C405.7.1.2 MANUALS
CONSTRUCTION DOCUMENTS HEREBY REQUIRE THAT AN OPERATING MANUAL AND MAINTENANCE MANUAL BE PROVIDED TO THE BUILDING OWNER. THE MANUALS SHALL INCLUDE, AT A MINIMUM, THE FOLLOWING:

- SUBMITTAL DATA STATING EQUIPMENT RATING AND SELECTED OPTIONS FOR EACH PIECE OF EQUIPMENT REQUIRING MAINTENANCE.
- OPERATION MANUALS AND MAINTENANCE MANUALS FOR EACH PIECE OF EQUIPMENT REQUIRING MAINTENANCE. REQUIRED ROUTINE MAINTENANCE ACTIONS SHALL BE CLEARLY IDENTIFIED.
- NAMES AND ADDRESSES OF AT LEAST ONE QUALIFIED SERVICE AGENCY.

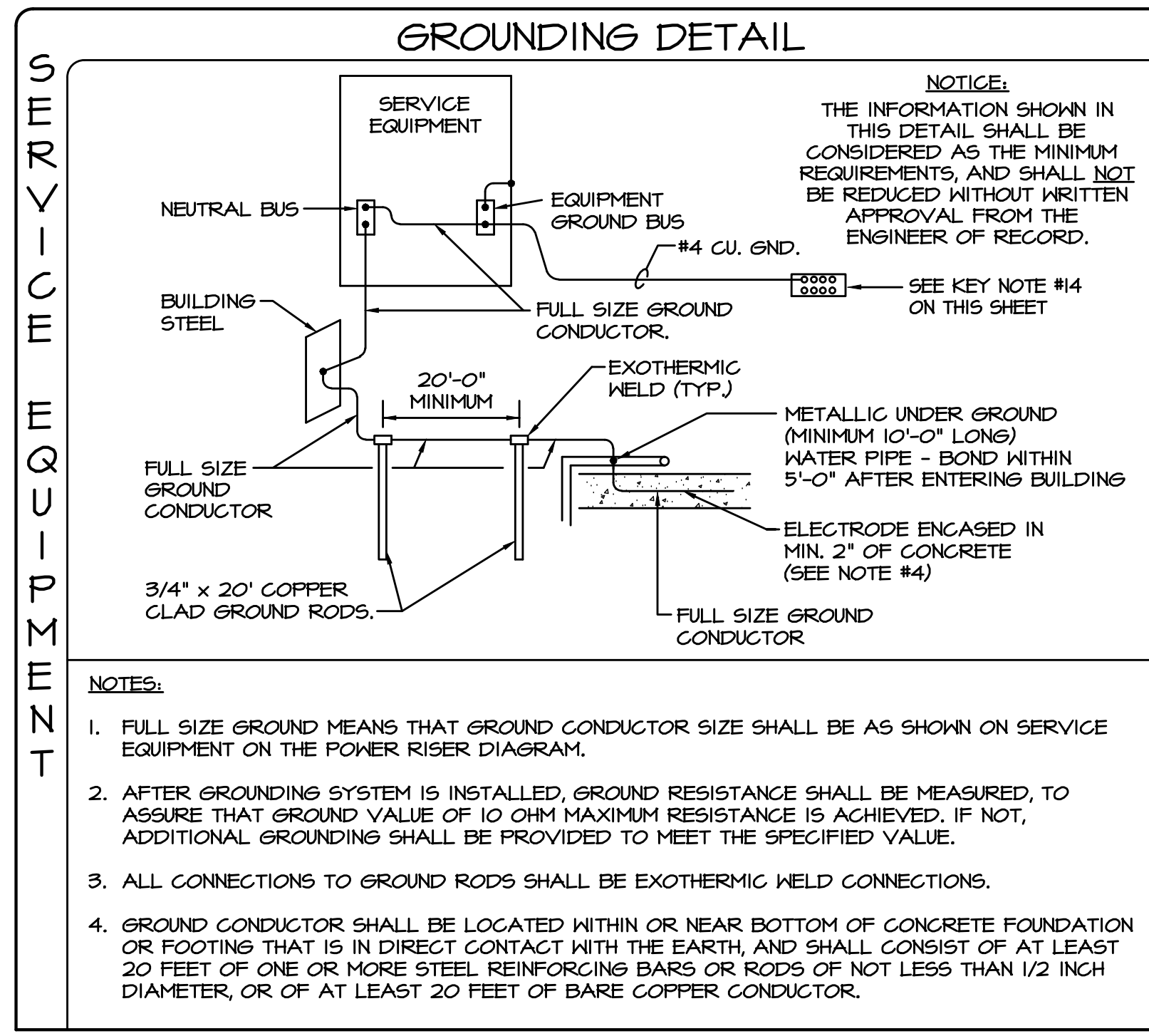
SECTION C408 SYSTEM COMMISSIONING

C408.3.1 FUNCTIONAL TESTING:

TESTING SHALL ENSURE THAT CONTROLS HARDWARE AND SOFTWARE ARE CALIBRATED, ADJUSTED, PROGRAMMED AND IN PROPER WORKING CONDITION IN ACCORDANCE WITH THE CONSTRUCTION DOCUMENTS AND MANUFACTURER'S INSTALLATION INSTRUCTIONS.

THE MANUFACTURER OF THE INSTALLED LIGHTING CONTROL SYSTEM SHALL PERFORM THE FUNCTIONAL TESTING, WHERE OCCUPANT SENSORS, TIME SWITCHES, PROGRAMMABLE SCHEDULE CONTROLS, PHOTOSENSORS OR DAY TIME LIGHTING CONTROLS ARE INSTALLED, THE FOLLOWING PROCEDURES SHALL BE PERFORMED:

- CONFIRMATION THAT THE PLACEMENT, SENSITIVITY AND TIMEOUT ADJUSTMENTS FOR OCCUPANT SENSORS YIELD ACCEPTABLE PERFORMANCE.
- CONFIRMATION THAT THE TIME SWITCHES AND PROGRAMMABLE SCHEDULE CONTROLS ARE PROGRAMMED TO TURN THE LIGHTS OFF.
- CONFIRMATION THAT THE PLACEMENT AND SENSITIVITY ADJUSTMENTS FOR PHOTOSENSOR CONTROLS REDUCE ELECTRIC LIGHT BASED ON THE AMOUNT OF USABLE DAYLIGHT IN THE SPACE AS SPECIFIED.



SERVICE ENTRANCE RATED

MANUFACTURER: SQUARE D[®] PANEL: HPA LOCATION: SEE PLANS SPECIAL: NEMA 3R ENCLOSURE WITH SHUNT TRIP

PANEL TYPE: PANELBOARD FED FROM: METER 120/208 VOLTS 3 PHASE 4 WIRE/SOLID NEUTRAL AMPERE BUS 225 MAIN TYPE BREAKER

65K INTERRUPTING CAPACITY (AIC) RATED SERIES: X FULL MOUNTING: FLUSH SURFACE: X

No.	kVA	NOTE	WIRE	COND	Description	LD	BRK	A	B	C	BRK	LD	Description	WIRE	COND	NOTE	kVA	No.	
1	1.0		2#12	1#12	TEMP LIGHTING	L	20	1.6				20	R	RECPY-ELEC. SERV. MOUNT	2#12	1#12	12"	0.6	2
3	0.0				SPARE		20					20(L)	M	SPRINKLER MOUNT. PANEL	2#12	1#12	12"	0.4	4
5	0.3		2#12	1#12	12"	LIGHTING CONTACTORS	M	20(L)				20	L	EXTERIOR LIGHTING	2#10			0.7	6
7	0.7		2#10									20	L	EXTERIOR LIGHTING	2#10	1#10	3/4"	0.7	8
9	0.7		2#10	1#10	3/4"							20	L	EXTERIOR LIGHTING	2#10			0.7	10
11	0.7		2#10									20	L	EXTERIOR LIGHTING	2#10	1#12	12"	0.8	12
13	0.0				SPARE		20	0.7				20	L	EXTERIOR LIGHTING	2#10			0.7	14
15	0.0				SPARE		20	0.7				20	L	EXTERIOR LIGHTING	2#10			0.7	16
17	0.0				SPARE		20	0.7				20	L	EXTERIOR LIGHTING	2#10	1#10	3/4"	0.7	18
19	0.0				SPARE		20	0.0				20		SPARE				0.0	20
21	0.0				SPARE		20	0.0				20		SPARE				0.0	22
23	0.0				SPARE		20	0.0				20		SPARE				0.0	24
25	0.0				SPARE		20	0.0				20		SPARE				0.0	26
27	0.0		4#10	1#10	3/4"	SURGE SUPPRESSOR	(L)		1.4			30	A	CU-1 / ARA-1	2#10	1#10	3/4"	1.4	28
29	0.0				SPARE		20	0.0				20		SPARE				0.0	30
31	0.0				SPARE		20	0.0				20		SPARE				0.0	32
33	0.0				SPARE		20	0.0				20		SPARE				0.0	34
35	0.0				SPARE		20	0.0				20		SPARE				0.0	36
37	0.0				SPARE		20	0.0				20		SPARE				0.0	38
39	0.0				SPARE		20	0.0				20		SPARE				0.0	40
41	0.0				SPARE		20	0.0				20		SPARE				0.0	42

LEGEND NOTES: CONDUCTOR LOAD (kVA): 13.2 STD. DEMAND FACTOR (1.0): 4.9
 (200) = PROVIDE HANDLE LOCKING DEVICE FOR THIS BREAKER kVA SUB TOTALS: 3.7 3.9 4.6 + LIG DEMAND (1.25 LIG): 0.1
 GRAND TOTAL: 3.7 3.9 4.6 + KITCHEN DEMAND: 0.0 TOTAL DEMAND kVA: 14.0
 DEMAND AMPERES: 38.9
 KITCHEN MULTIPLIER PER NEC 2011 TABLE 220.56

CONTACTOR SCHEDULE

CONTACTOR 'C4' (EXTERIOR BUILDING ARCHITECTURAL LIGHTING)

- CONTROLLED VIA PHOTOCELL 'ON' - TIMECLOCK 'OFF'.
- ONE 8-POLE ELECTRICALLY HELD LIGHTING CONTACTOR WITH 120V COIL, NEMA 3R.
- CONTACTOR SHALL BE EQUAL TO SQUARE D[®] LH80-V02.

NOTES:

- LABEL CONTACTORS AS INDICATED ABOVE.
- CONTACTORS CONTROL VIA LIGHTING CONTROL PANEL.
- VERIFY SEQUENCE OF OPERATION WITH OWNER PRIOR TO PROGRAMMING.

PROVIDE PLAQUE AS FOLLOWS FOR EACH NEW PANEL.

PANEL: _____ A.I.C. RATING: _____ SERIES: FULLY _____

VOLTAGE: _____ PHASE: _____ AMP: _____

FEEDER OCP: _____ WIRE: _____ TYPE: CU AL

SOURCE PANEL: _____

FEEDER TYPE: UPS GENERATOR NORMAL UPS/GENERATOR

EXAMPLE:

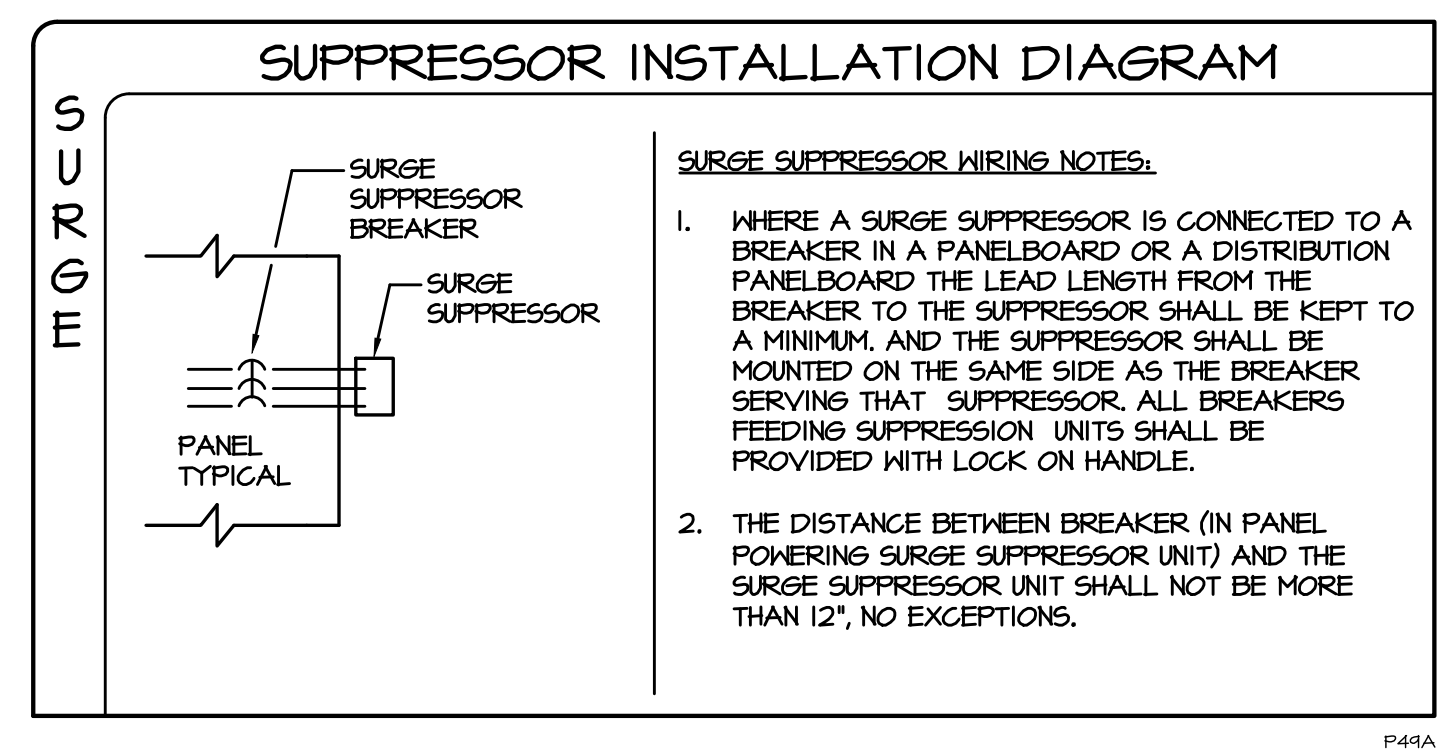
PANEL: 1A A.I.C. RATING: 22K SERIES: FULLY _____

VOLTAGE: 120/208 PHASE: 3 AMP: 225

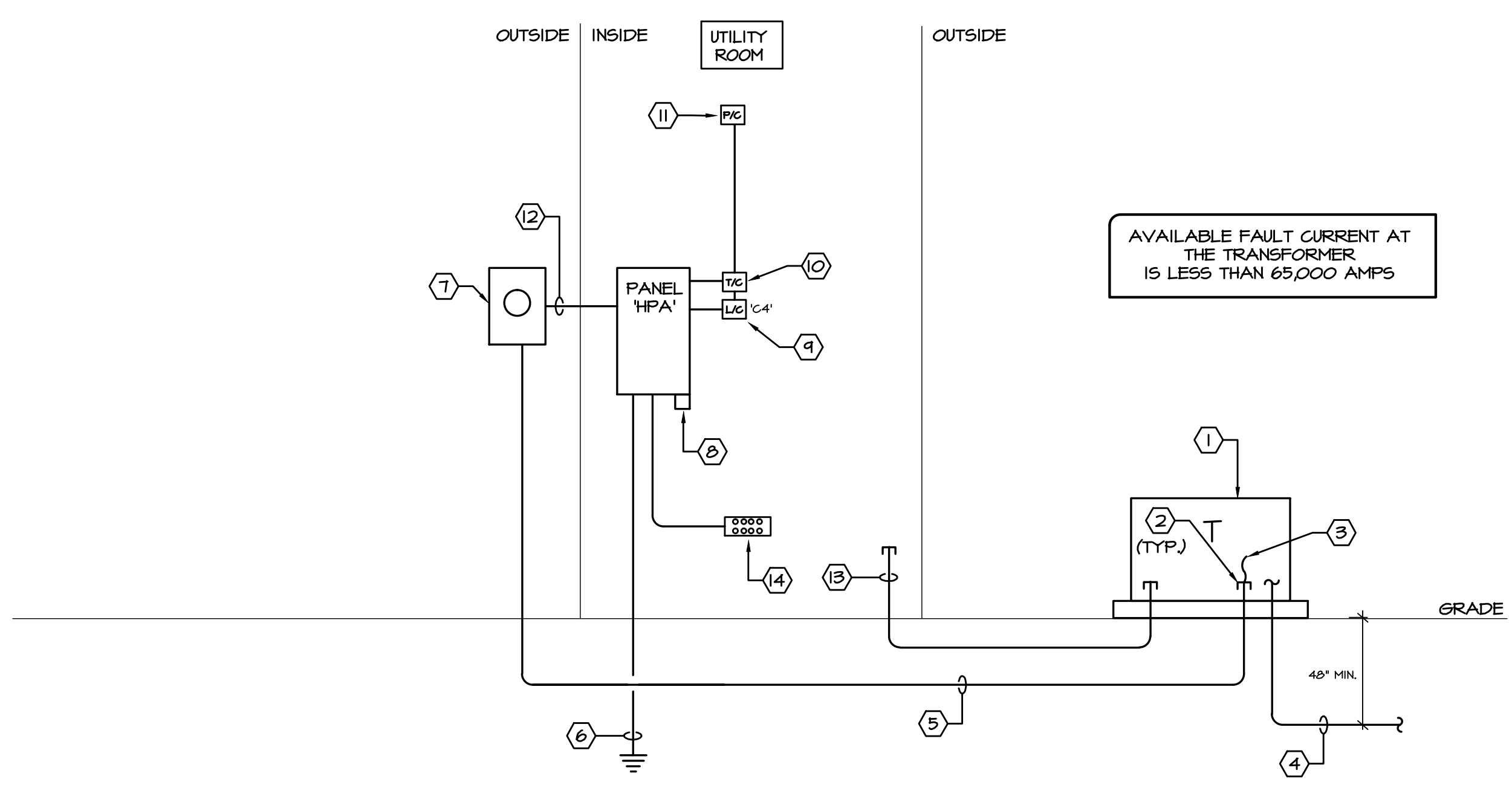
FEEDER OCP: 200 WIRE: #8/3, 1#6 TYPE: CU AL

SOURCE PANEL: D

FEEDER TYPE: UPS GENERATOR NORMAL UPS/GENERATOR



- NOTES**
- PAD MOUNTED TRANSFORMER, BY UTILITY COMPANY, 120/208V, 3-PH, 4M OUTPUT (FIELD VERIFY LOCATION).
 - COORDINATE EXACT LOCATION AND ARRANGEMENT OF CONDUIT STUB-UPS WITH UTILITY COMPANY.
 - LEAVE 6'-0" OF SLACK CONDUCTOR FOR USE BY POWER COMPANY.
 - PRIMARY SERVICE BY POWER COMPANY.
 - 4 - #3/0 CU IN 2-1/2" CONDUIT.
 - #1/0 CU GROUND. SEE GROUNDING DETAIL ON THIS SHEET.
 - 200AMP, 120/208V, 3-PHASE METER, FURNISHED AND INSTALLED BY CONTRACTOR PER UTILITY COMPANY SPECIFICATIONS.
 - SURGE SUPPRESSOR EQUAL TO SURGE SUPPRESSION INC. CAT. NO. STM-30-371 (NEMA 3R), (120/208V, 3-PH, 5-WIRE). SEE DETAIL ON THIS SHEET.
 - ELECTRICALLY HELD LIGHTING CONTACTORS. SEE SCHEDULE ON THIS SHEET AND DETAIL ON SHEET E2.0.
 - TIMECLOCK IN NEMA 3R ENCLOSURE. SEE DETAIL ON SHEET E2.0.
 - PHOTOCELL MOUNTED ON ROOF FACING NORTH.
 - 4 - #3/0 IN 2-1/2" CONDUIT.
 - (4) 3-1/2" EMPTY CONDUITS WITH FULL ROPE FOR FUTURE USE.
 - INTER SYSTEM BONDING TERMINATION WITH A MINIMUM OF THREE TERMINATION REQUIRED, IN COMPLIANCE WITH N.E.C. 2011 EDITION ARTICLE 250.14, EXTERIOR RATED.
- ALL CONDUCTORS SHALL BE COPPER UNLESS OTHERWISE NOTED.



CHEHAYEB & ASSOCIATES, INC.
CONSULTING PROFESSIONAL ENGINEERS

3702 AZEBEL ST. TAMPA, FL 33609 (813) 876-1415 (fax) 876-0913

LIC. #49521 SOUTH FLORIDA CERT. #7340 18-115 (S)

api+

2709 Rocky Point Dr. 201 T 813 + 281 9299
Tampa, Florida 33607 USA F 813 + 281 9292
License No AAC001935 **apiplus.com**

BULLETIN LOG



WESTLAKE VISITOR CENTER
CITY OF WESTLAKE
PALM BEACH COUNTY, FLORIDA

ISSUE DATE: - 09-30-16
ISSUED FOR:
PERMIT - BUILDING SHELL ONLY
©AS DATED ARCHITECTURE PLUS INTERNATIONAL, INC.

REVISION LOG

STATE REGISTRATIONS

FL #A0001935 NC #8581
SC #8109 GA #10079
TN #00102675

WESTLAKE VISITOR CENTER
PROJECT NAME

POWER RISER DIAGRAM, AND PANEL SCHED.
SHEET NAME

PROJECT NUMBER: 2018.037
DRAWN BY: R.R. CHECKED BY: S.C.

SCALE: **E4.0**
SHEET NUMBER