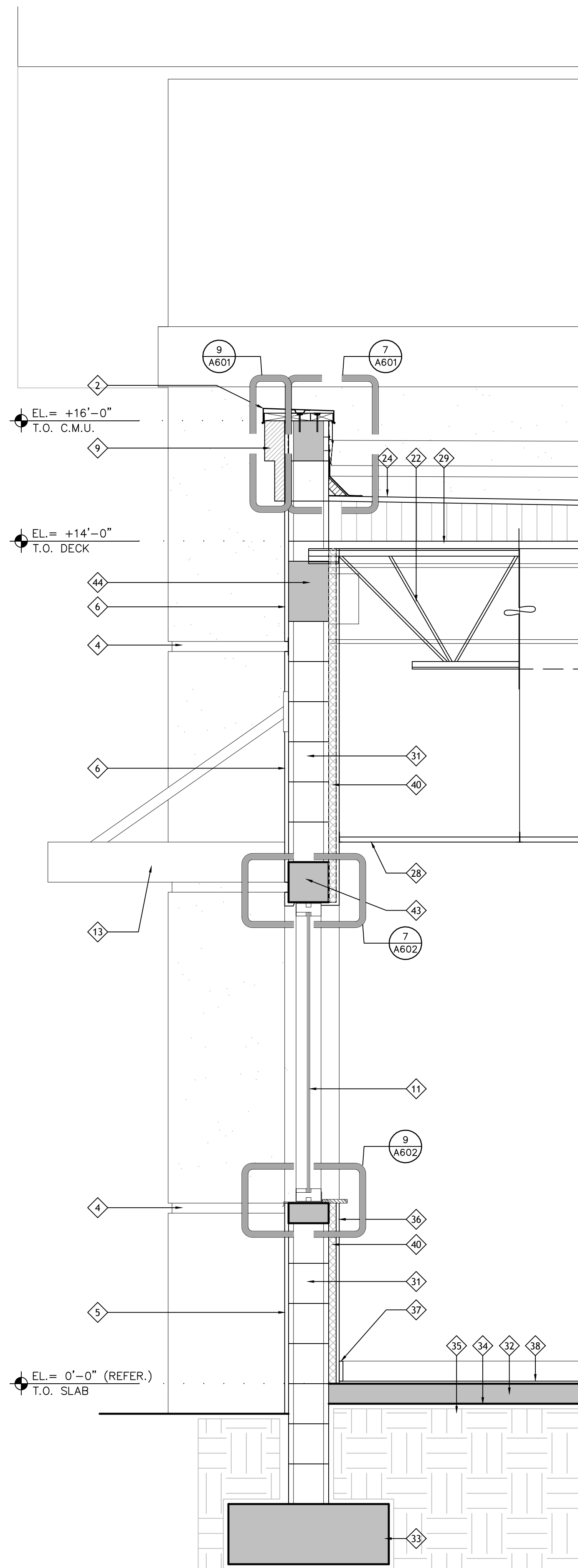


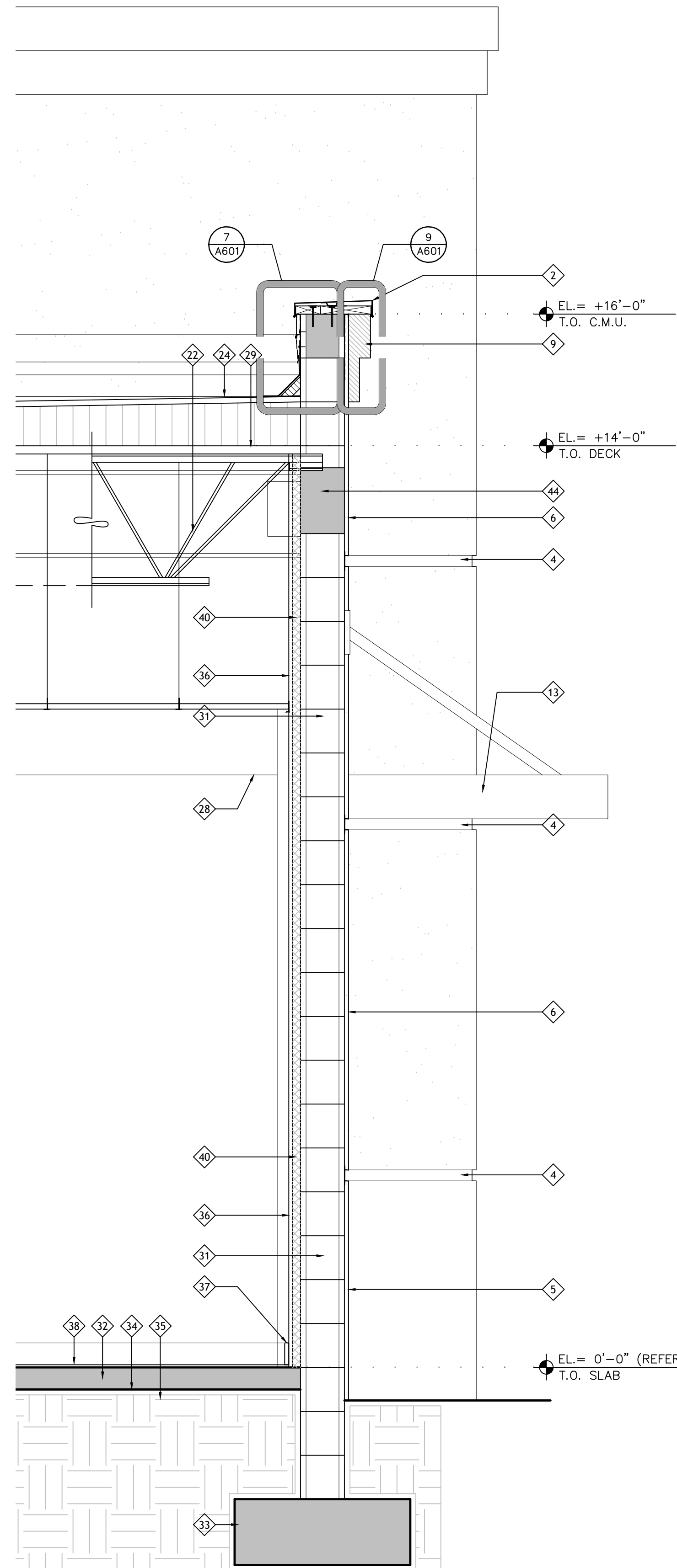
1 WALL SECTION
A552

SCALE: 3/4" = 1'-0"



2 WALL SECTION
A552

SCALE: 3/4" = 1'-0"



3 WALL SECTION
A552

SCALE: 3/4" = 1'-0"

SECTION LEGEND	
1	ALUM. STANDING-SEAM ROOF ATTACHED OVER MEMBRANE TO PLYWD. SUBSTRATE & DECK PER N.O.A. & MFR. INSTRUCTIONS, TYP.
2	ALUMINUM PARAPET CAP FLASHING SYST. W/ SHOP POWDER COAT PAINT FINISH OF COLOR SELECTED BY ARCHITECT, TYP.
3	12" H. X 2" RAISED E.I.F.S. BAND W/ SMOOTH PAINTED STUCCO FINISH, TYP.
4	2" HIGH P.V.C. REGLET ATT. TO STRUCTURE W/ PAINT FINISH, TYP.
5	SMOOTH (LIGHT SAND) TEXTURED STUCCO W/ PAINT FINISH, TYP.
6	MEDIUM (KNOCKDOWN) TEXTURED STUCCO W/ PAINT FINISH, TYP.
7	VERTICAL & HORIZONTAL STUCCO SYST. CONTROL JOINTS, TYP.
8	6" H. X 1" RAISED E.I.F.S. BAND W/ SMOOTH STUCCO & VERTICAL JOINTS WHERE SHOWN W/ PAINT FINISH, TYP.
9	DBL. 6" H. X 2" & 4" RAISED E.I.F.S. CAP BAND FOR W/ PAINT FINISH, TYP.
10	ALUM. CLAD DBL. 3/4" PLYWD. FASCIA W/ SHOP POWDER COAT PAINT FIN. ATTACHED TO TRUSS SYST. HEEL CHANNEL CONT., TYP.
11	IMPACT RESISTANT ALUMINUM FRAMED STOREFRONT WINDOWS W/ LIGHT GRAY TINTED LAMINATED GLASS & MUNTINS AS SHOWN, TYP.
12	IMPACT RESISTANT ALUMINUM FRAMED STOREFRONT DOORS W/ LIGHT GRAY TINTED LAMINATED GLASS, TYP.
13	ALUM. EYEBROW CANOPY W/ DIAGONAL SUSPENSION STRUTS ATT. TO STRUCTURE AS DESIGNED BY SPECIALTY ENGINEER & W/ SHOP POWDER-COAT PAINT FINISH, TYP.
14	DECORATIVE METAL BRACKET ATT. TO STRUCTURE W/ SHOP POWDER COAT PAINT FINISH, TYP.
15	DECORATIVE METAL LOUVERED PANEL ATT. TO STRUCTURE W/ SHOP POWDER COAT PAINT FINISH, TYP.
16	LIGHT FIXTURE, TYP. (SEE A351 & 'E' DWGS.)
17	METAL CANOPY SYST. @ WALKWAYS ADJACENT TO BLDG. W/ SHOP POWDER COAT PAINT FIN. AS DESIGNED BY SPECIALTY ENGINEER, TYP.
18	ICYNENE SPRAY FOAM INSULATION, TYP.
19	METAL ROOF TRUSS SYST. DESIGNED BY SPECIALTY ENGINEER, TYP. (SEE 'S' DWGS.)
20	EXTERIOR GALV. METAL STUD FRAME WALL ATT. TO STRUCTURE, TYP. (SEE 'S' DWGS.)
21	STEEL BEAM ATT. TO STRUCTURE, TYP. (SEE 'S' DWGS.)
22	STEEL JOIST ATT. TO STRUCTURE, TYP. (SEE 'S' DWGS.)
23	3/4" SMOOTH STUCCO SOFFIT OVER GALV. METAL HIGH RIB LATH ATTACHED TO FURRING CHANNELS & TRUSSES, TYP. (SEE 'S' DWGS.)
24	3 PLY MODIFIED BITUMINOUS ROOF SYST. ON TAPERED RIGID INSULATION OVER STRUCTURAL METAL DECK PER N.O.A. & MFR'S INSTRUCTIONS, TYP.
25	RIGID INSULATION MECHANICALLY ATT. TO STRUCTURAL ROOF DECK PER ROOF SYST. N.O.A. & MFR'S. PUBLISHED INSTRUCTIONS, TYP.
26	ROOF DRAIN ATT. TO STRUCTURE & FLASHED IN PER ROOF SYST. N.O.A. & MFR'S. PUBLISHED INSTRUCTIONS, TYP. (SEE 'P' DWGS.)
27	5/8" GYPSUM BOARD, PREPD. & PAINTED ATT. TO LT. GAUGE GALV. METAL STUD FRAMING PER SYST. MFR'S. PUBLISHED INSTRUCTIONS, TYP. (SEE WALL TYPES)
28	ACOUSTICAL TILE & SUSPENDED METAL GRID SYST. PER MFR'S PUBLISHED INSTRUCTIONS, TYP.
29	1/2" D. GALV. MTL. CORRUGATED STRUCTURAL ROOF DECK WELD ATT. TO STRUCTURE, TYP. (SEE 'S' DWGS.)
30	CONC. BEAM W/ STL. REINFORCING, TYP. (SEE 'S' DWGS.)
31	C.M.U. WALL W/ STEEL & CONC. REINFORCING, TYP. (SEE 'S' DWGS.)
32	4" THK. MIN. CONC. SLAB ON GRADE, TYP. (SEE 'S' DWGS.)
33	CONC. FOOTING W/ STL. REINFORCING, TYP. (SEE 'S' DWGS.)
34	10 MIL MIN. VAPOR BARRIER, TYP.
35	CLEAN WELL COMPACTED TERMITES TREATED SOIL, TYP. (PROVIDE DENSITY TEST REPORTS AS REQ'D.)
36	3/2" GYP BOARD PREPD. & PAINTED ATTACHED TO GALV. MTL. Z-FURRING ATT. TO C.M.U. W/ FOIL-FACED THERMAL BOARD INSULATION BTWN, TYP.
37	WALL BASE, TYP. (SEE '10' DWGS.)
38	FLOOR FINISH PER MFR'S. PUBLISHED INSTRUCTIONS, TYP. (SEE '10' DWGS.)
39	3/2" G.W.B. ON GALV. MTL. STUD FRAME-DOWN CEILING OR SOFFIT PER SYST. MFR'S. PUBLISHED INSTRUCTIONS, TYP.
40	FOIL-FACED FIBERGLASS THERMAL BATT INSULATION, TYP.
41	MINERAL FIBER SOUND BATT INSULATION W/ STUD CAVITIES, TYP. (SEE WALL TYPES FOR SPECIFIC LOCATIONS)
42	2" CONTINUOUS P.V.C. SCREEN VENT ATT. TO SOFFIT LATH & FURRING PER MFR. INSTRUCTIONS, TYP.
43	PRE-CAST OR POURED CONC. LINTEL, TYP. (SEE 'S' DWGS.)
44	POURED CONC. BOND OR TIE-BEAM W/ STL. REINFORCING, TYP. (SEE 'S' DWGS.)
45	3/2" THK. STUCCO OVER GALV. MTL. LATH W/ BITUMINOUS FELT PAPER BACKING ATT. TO PLYWD. SHEATHING ATT. TO FRAMING, TYP. (SEE 'S' DWGS.)
46	ALUM. CLAD COLUMN COVER W/ SHOP POWDER-COAT PAINT FIN. ATT. TO GALV. STL. FRAMING ATT. TO STRUCTURAL STL. COLUMN, TYP.
47	POURED CONC. ENTRY SLAB OR STOOP W/ W/ F. REINFORCING PITCHED SLIGHTLY TO DRAIN AWAY, TYP. (SEE 'S' DWGS.)
48	MTL. THRESHOLD W/ 3/2" MAX. RISE & A.D.A. COMPLIANT PITCH, TYP.
49	ROOFING TERMINATION MTL. FLASHING AND COUNTER FLASHING W/ STUCCO STOP PER ROOF SYST. MFR'S PUBLISHED INSTRUCTIONS, TYP.
50	P.T. WOOD BLOCKING ATT. TO FRAMING, TYP.
51	INTERIOR DOOR & FRAME, TYP. (SEE SCHEDULE.)
52	INTERIOR PLYWD. CASEWORK ATT. TO STRUCTURE, TYP. (PROVIDE COMPLETE MFR. SHOP DWGS. W/ FINISH & HARDWARE SELECTIONS FOR OWNER & ARCHITECT PRE-APPROVAL)
53	4" H. ALUM. DRIP-EDGE FLASHING W/ SHOP POWDER-COAT PAINT FIN. ATT. & FLASHED PER ROOF SYS. N.O.A. & MFR'S. PUBLISHED INSTRUCTIONS, TYP.
54	GALV. MTL. STUD FRAME-DOWN FOR EXTERIOR SOFFIT OR CEILING ATT. TO STRUCTURE, TYP. (SEE 'S' DWGS.)
55	4' X 3'-10" METAL ROLL UP DOOR.

REVISIONS	BY

Slattery & Associates
ARCHITECTS
PLANNERS

2060 NW BOCA RATON BLVD.
SUITE 2
BOCA RATON, FL 33431
TEL: 561-392-3848
FAX: 561-392-5402
WWW.SLATTERYARCHITECTS.COM

ACTIVITY CENTER
FOR
FLORENCE FULLER CHILD DEVELOPMENT CENTERS
WEST CAMPUS
S.W. 185TH STREET
BOCA RATON, PALM BEACH COUNTY, FLORIDA

BIDDING
NOT FOR
CONSTRUCTION

SEAL DATE: X-X-X
SLATTERY & ASSOCIATES
FLORIDA REGISTRATION # AA000381

DRAWN	CR, DR, AB
CHECKED	KB
DATE	10-21-16
SCALE	AS NOTED
JOB NO.	2011-64
SHEET	

A552

WALL SECTIONS

PHASE: C.D. SET 10-21-16