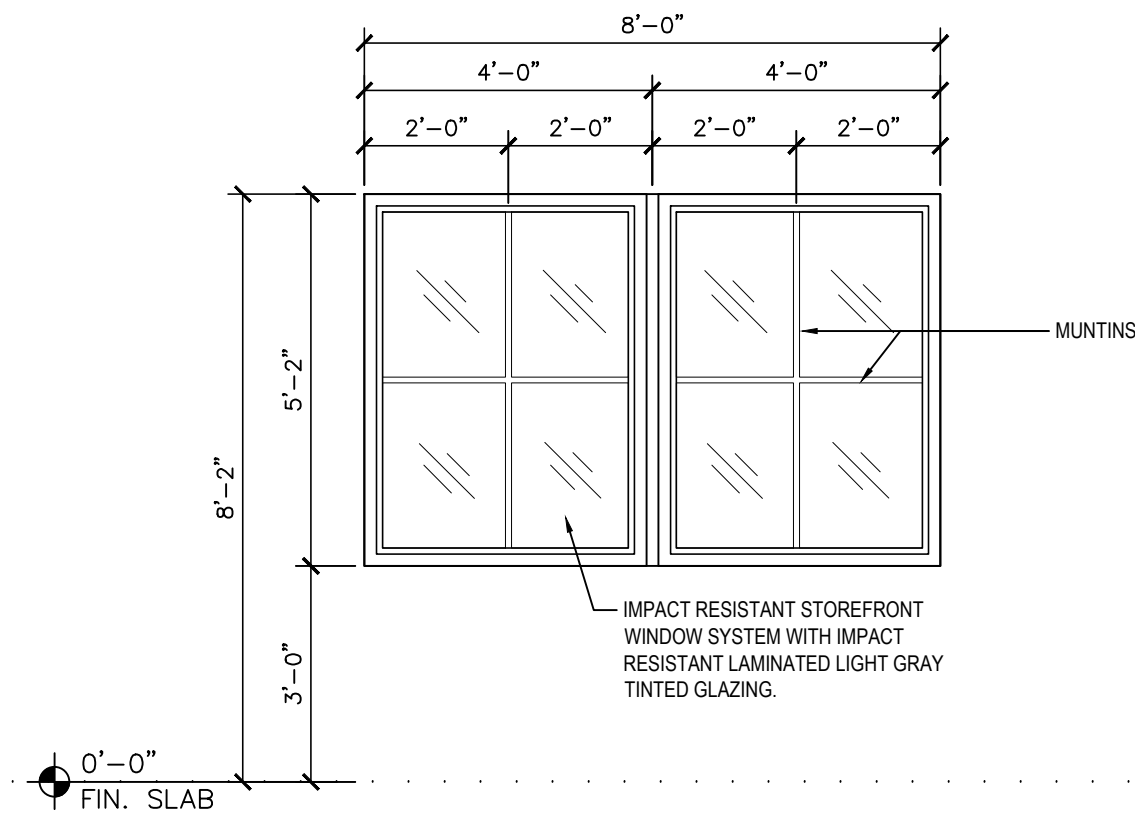
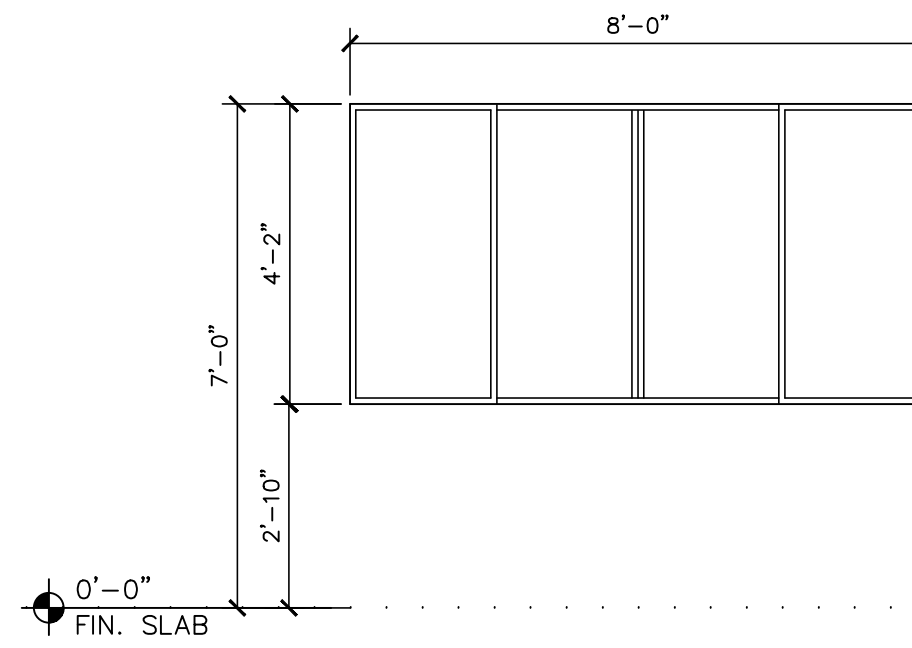


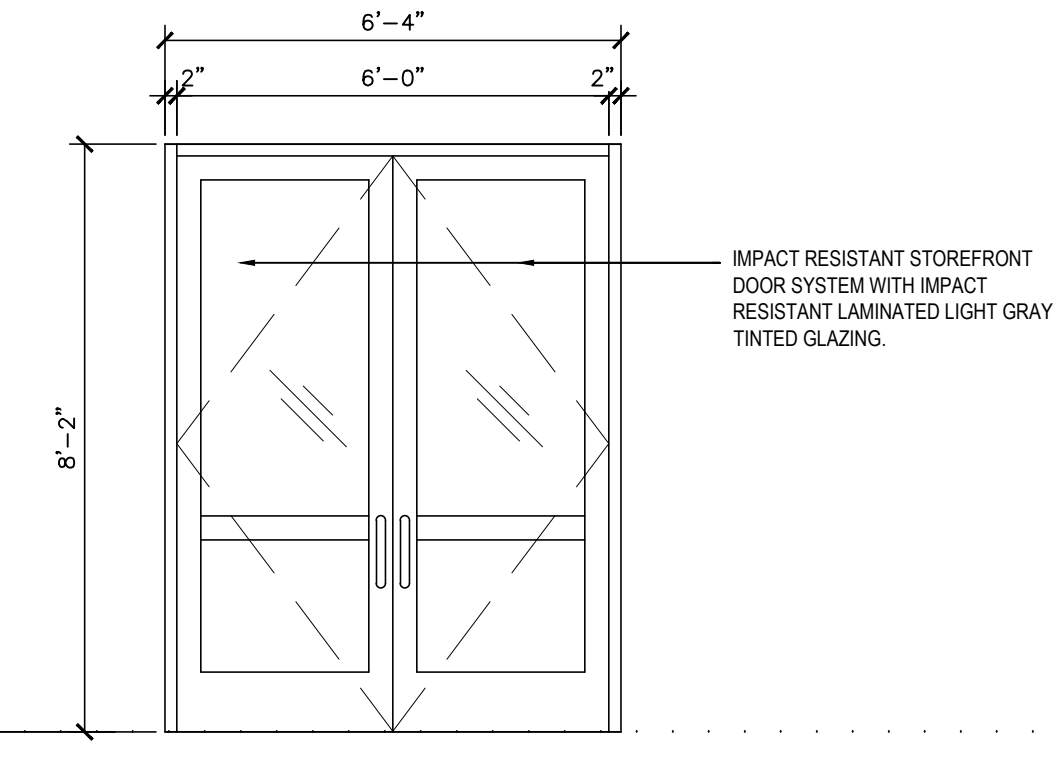
1 STOREFRONT WINDOW
A602 SCALE: 3/8" = 1'-0"



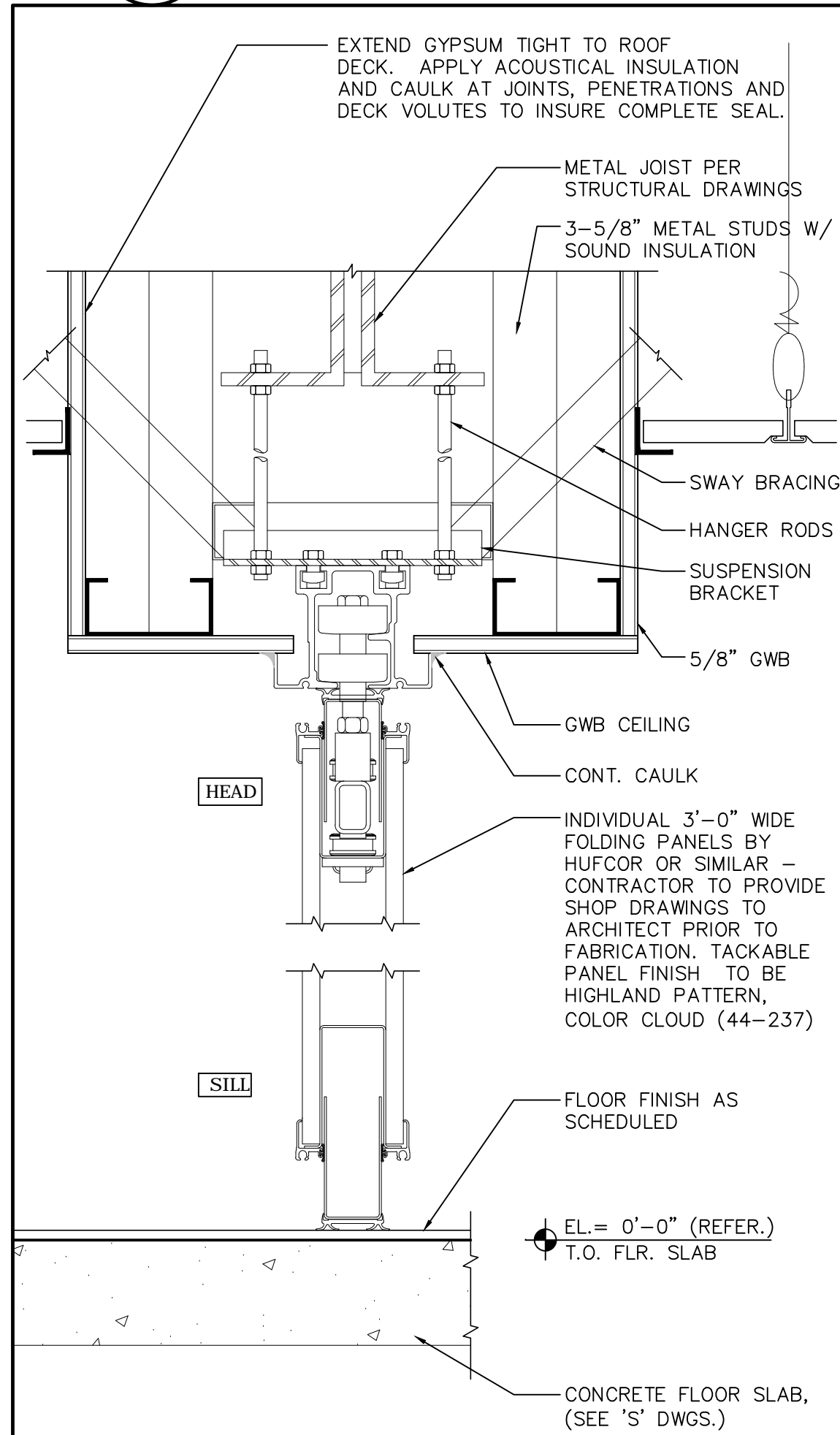
2 STOREFRONT WINDOW
A602 SCALE: 3/8" = 1'-0"



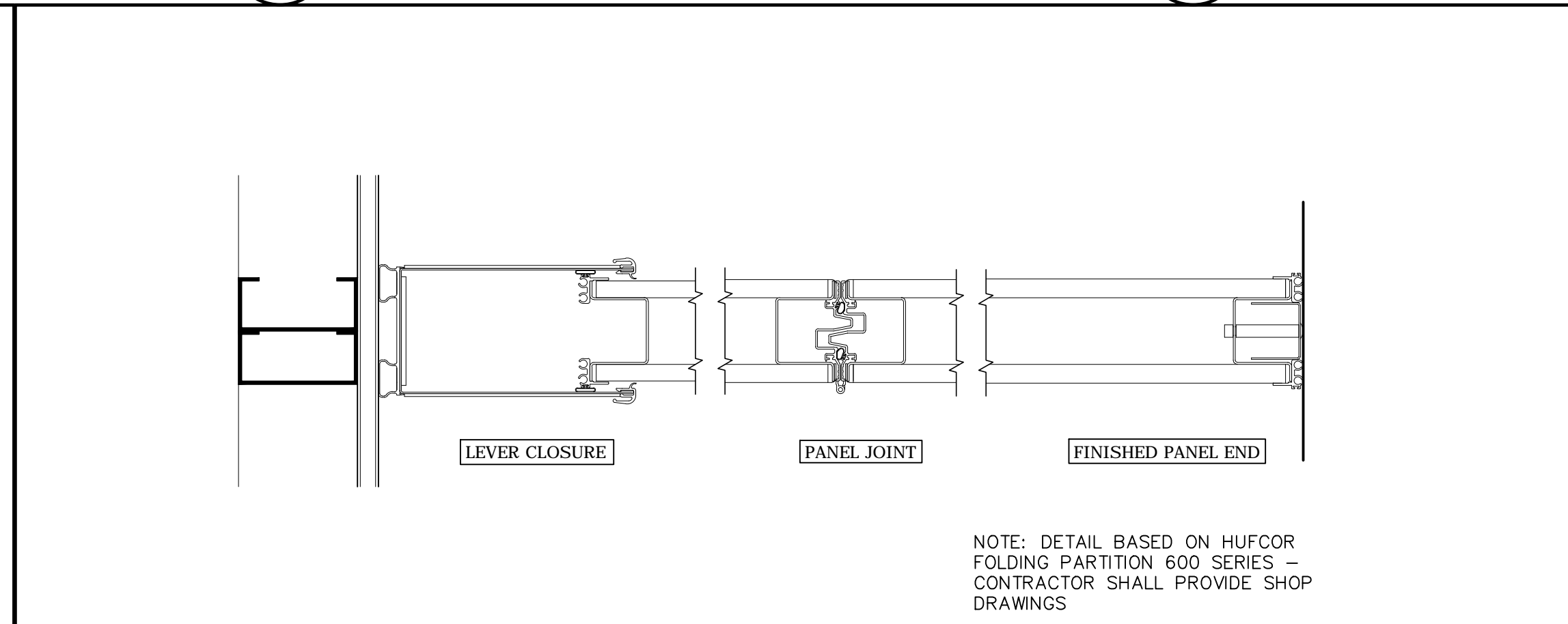
3 INTERIOR SLIDING WINDOW
A602 SCALE: 3/8" = 1'-0"



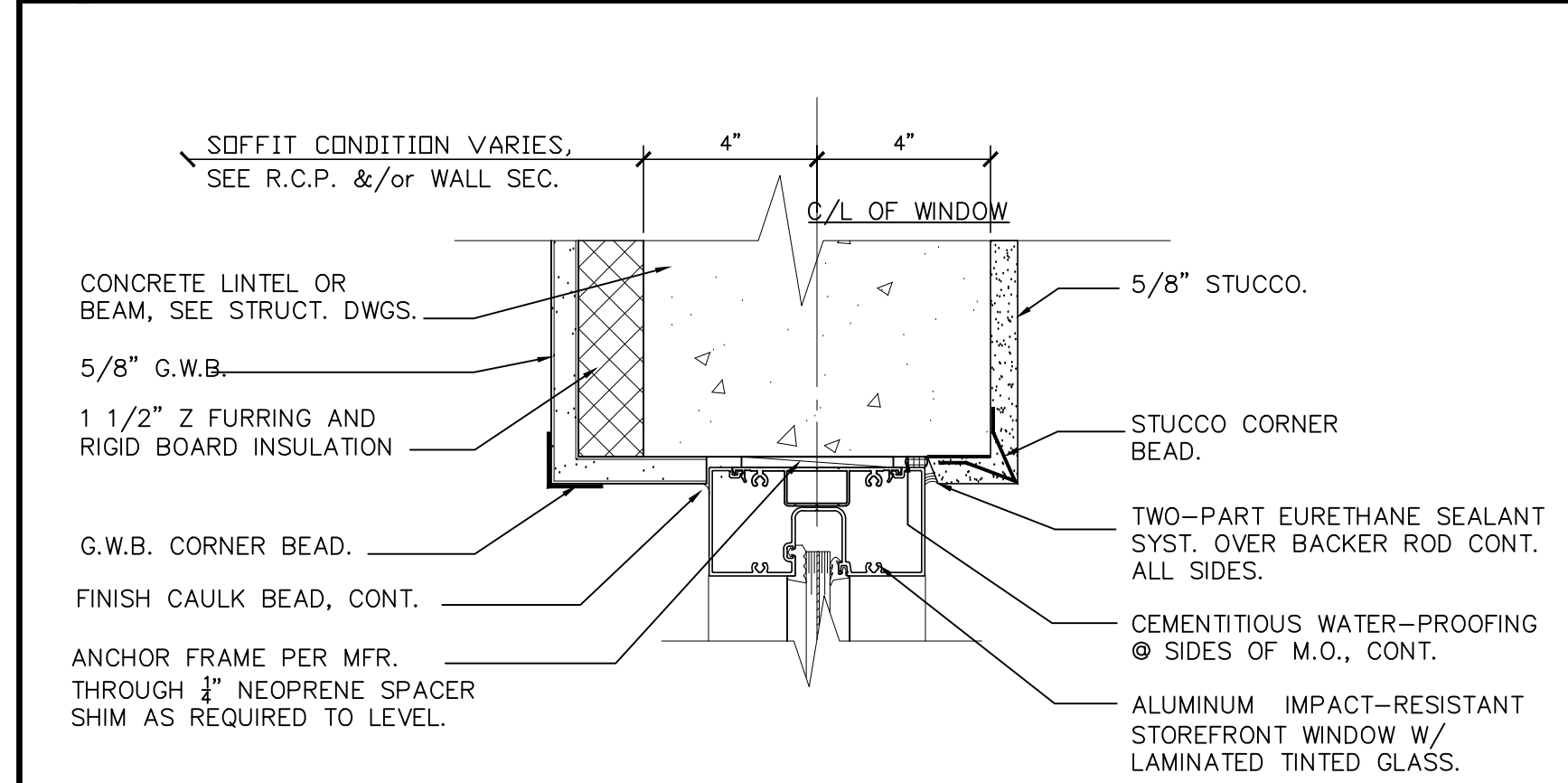
4 STOREFRONT ENTRY DOORS
A602 SCALE: 3/8" = 1'-0"



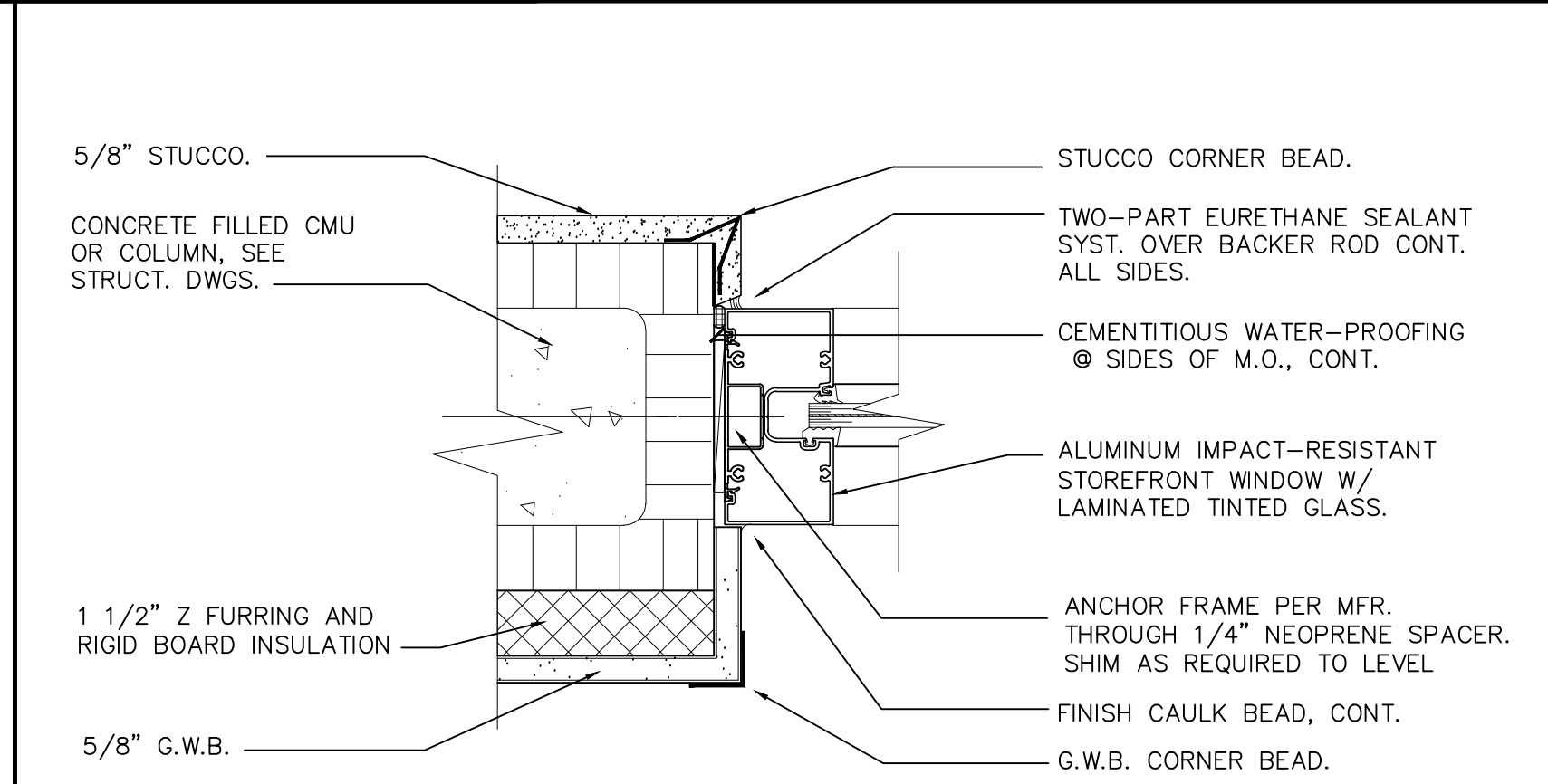
6 FOLDING PARTITION
A602 SCALE: 3" = 1'-0"



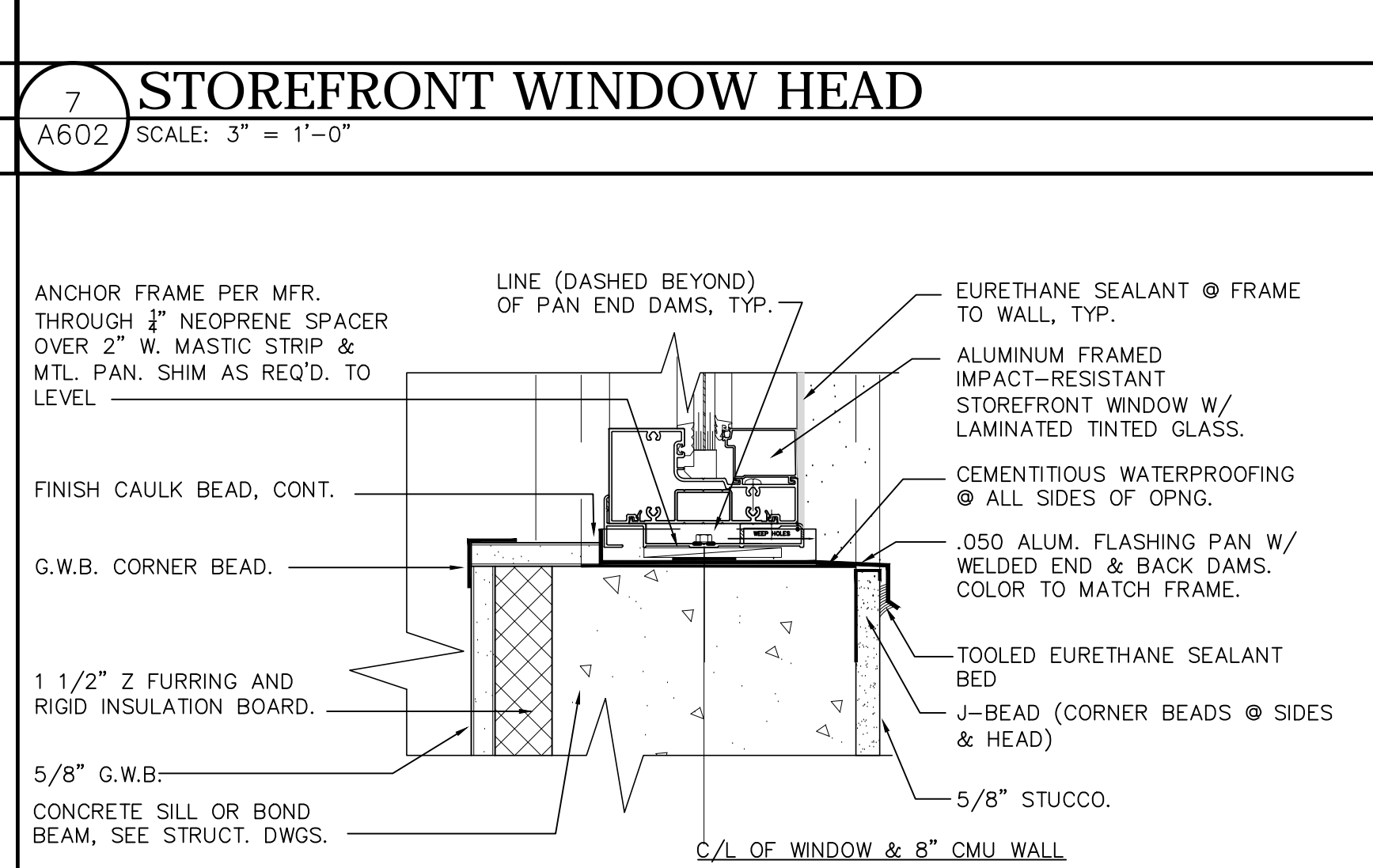
5 FOLDING PARTITION PANEL DETAILS
A602 SCALE: 3" = 1'-0"



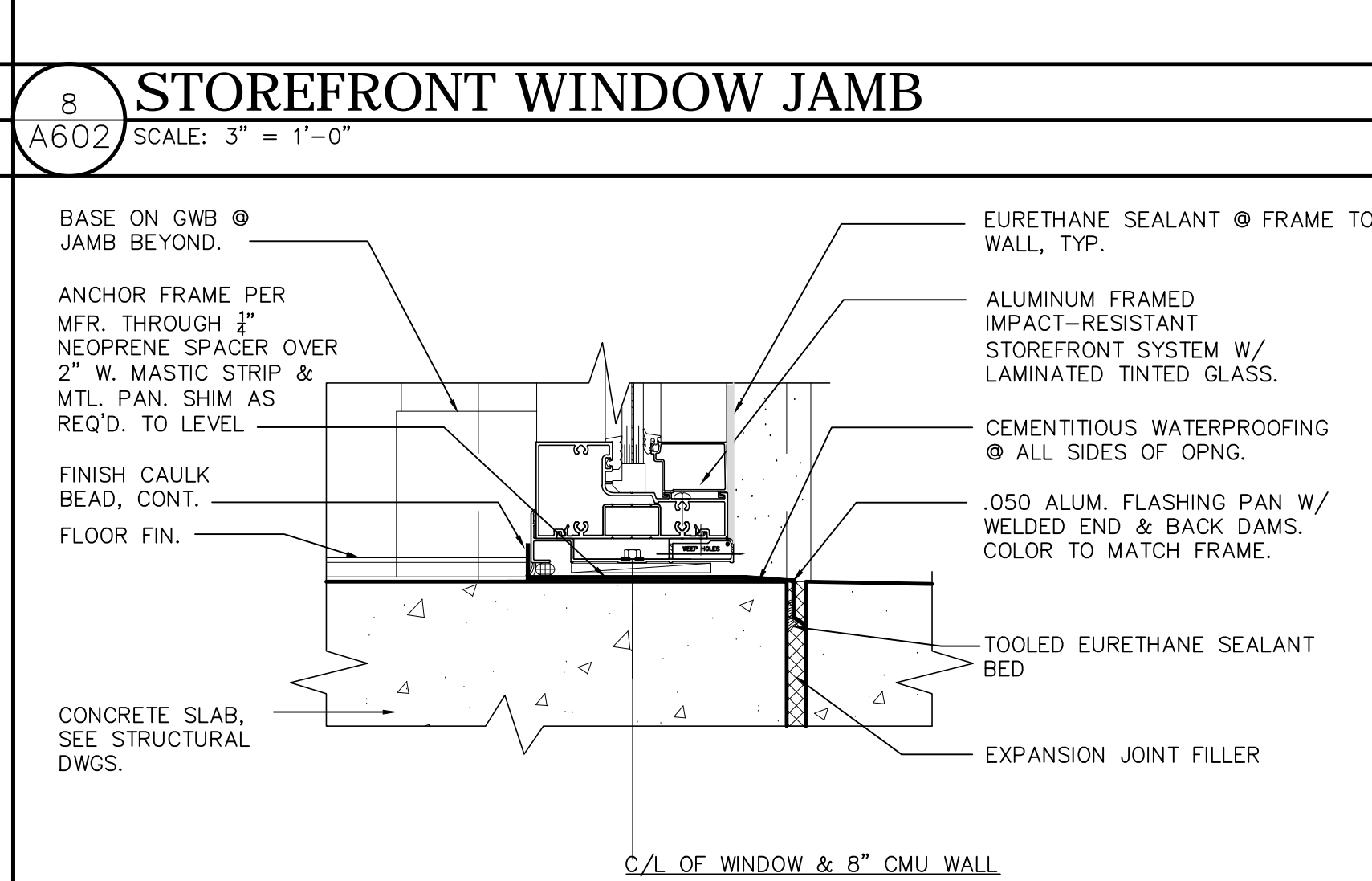
7 STOREFRONT WINDOW HEAD
A602 SCALE: 3" = 1'-0"



8 STOREFRONT WINDOW JAMB
A602 SCALE: 3" = 1'-0"



9 STOREFRONT WINDOW SILL
A602 SCALE: 3" = 1'-0"



10 STOREFRONT WINDOW SILL @ FLOOR
A602 SCALE: 3" = 1'-0"

REVISIONS	BY

Slattery & Associates
ARCHITECTS
PLANNERS
2060 NW BOCA RATON BLVD.
SUITE 2
BOCA RATON, FL 33431
TEL: 561-392-3848
FAX: 561-392-5402
WWW.SLATTERYARCHITECTS.COM

ACTIVITY CENTER FOR FLORENCE FULLER CHILD DEVELOPMENT CENTERS WEST CAMPUS
S.W. 185TH STREET
BOCA RATON, PALM BEACH COUNTY, FLORIDA

BIDDING NOT FOR CONSTRUCTION
SEAL DATE: X-X-X
SLATTERY & ASSOCIATES
FLORIDA REGISTRATION # AA0003381

DESIGN: CR, DR, AB
CHECKED: KB
DATE: 10-21-16
SCALE: AS NOTED
JOB NO.: 2011-64
SHEET: **A602**

DETAILS

DATE: OCT 24 16