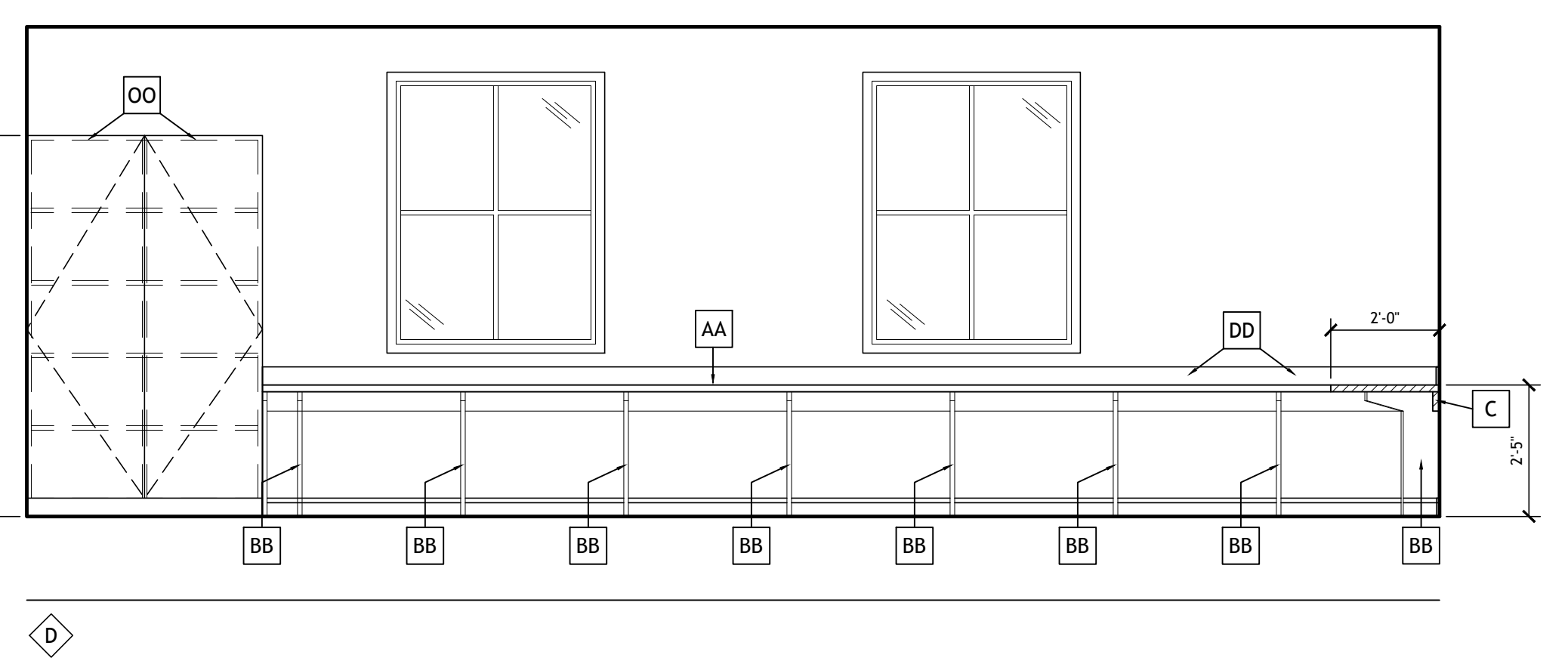
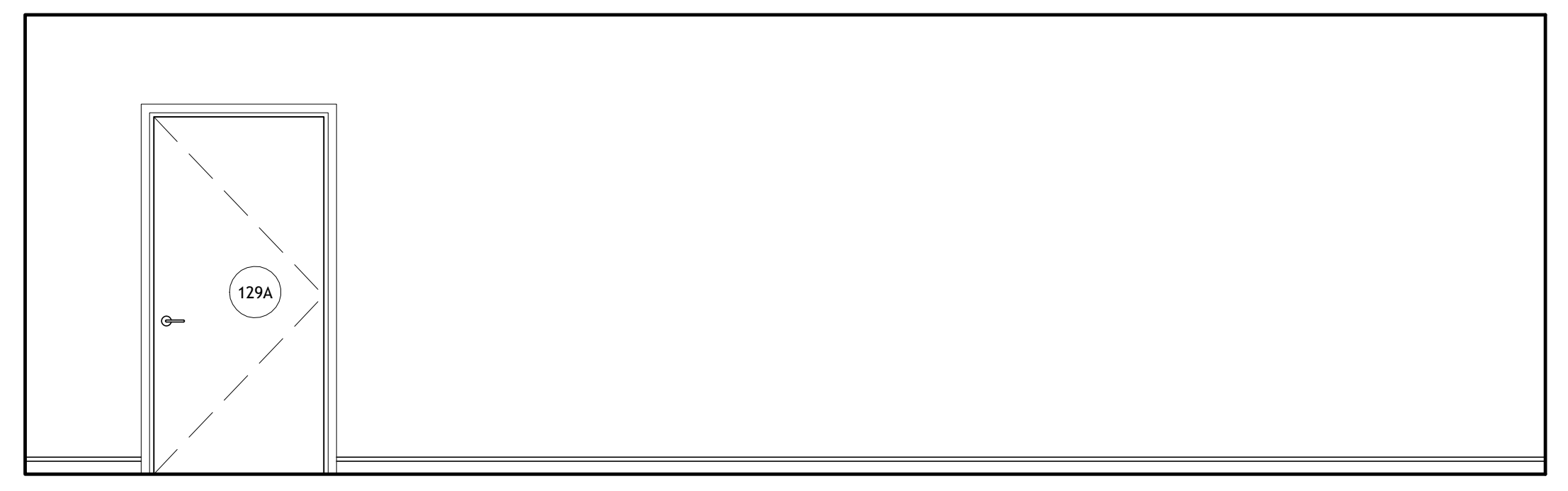
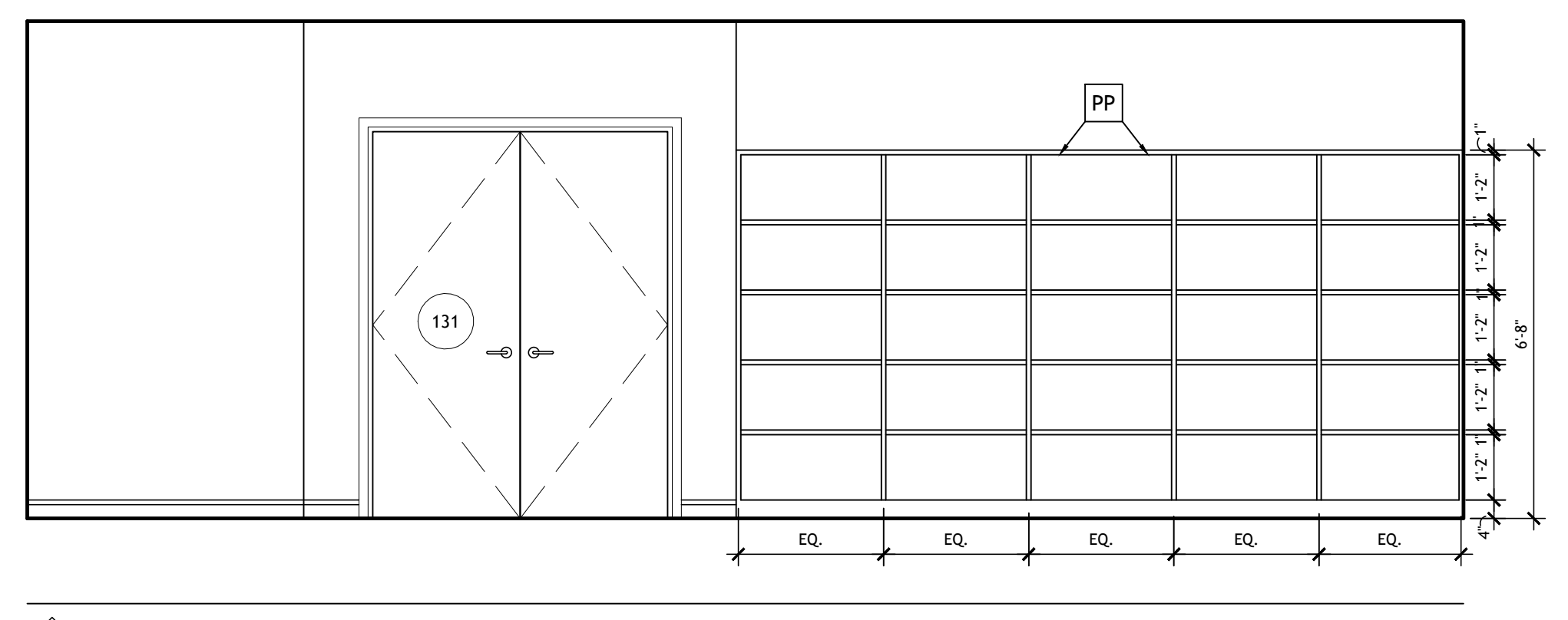
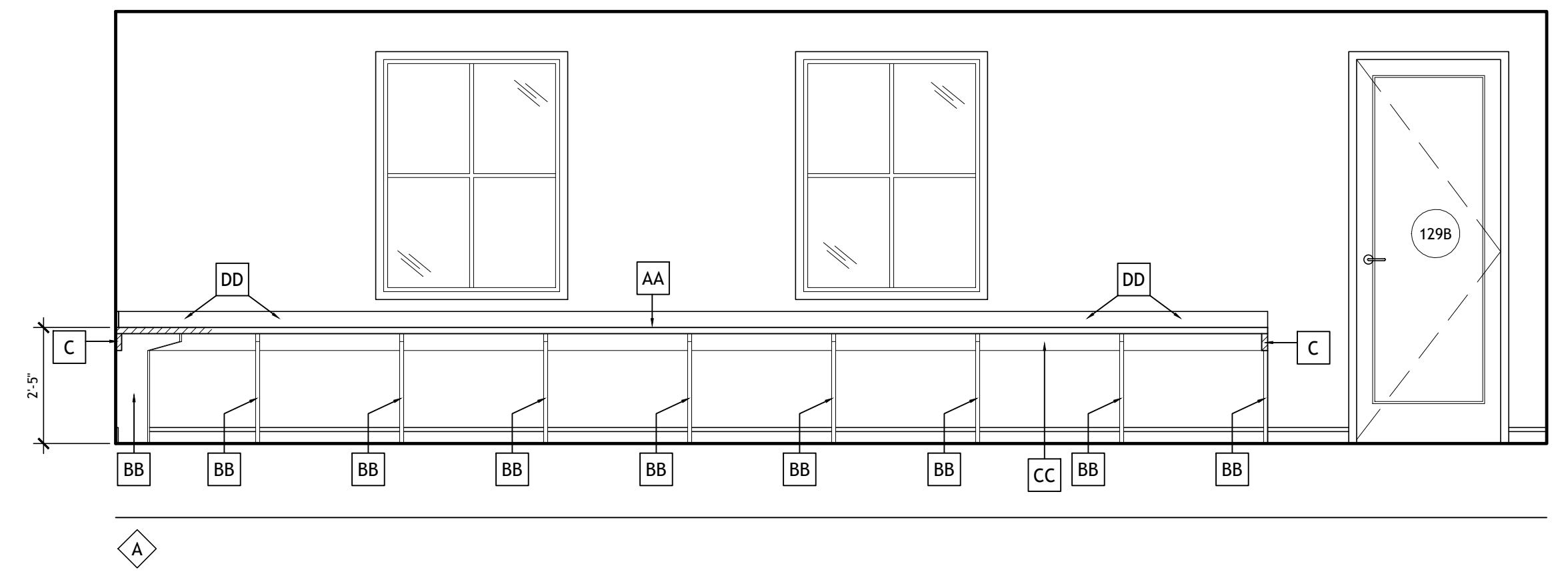
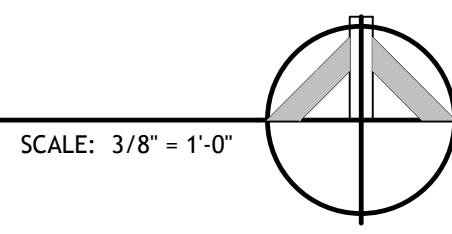


1 A804 MULTI-PURPOSE ROOM 7- 129



MARK	DESCRIPTION	MODEL #	MOUNTING HT.	REMARKS
A	36" L. STN. STL. GRAB BAR	B-680636	SEE ELEVATIONS	BOBRICK (OR EQ.)
B	42" L. STN. STL. GRAB BAR	B-680642	SEE ELEVATIONS	BOBRICK (OR EQ.)
C	WALL-MOUNT PAPER TOWEL DISPENSER	B-262	SEE ELEVATIONS	BOBRICK (OR EQ.)
D	WALL-MOUNT PAPER TOWEL DISPENSER	B-2621	SEE ELEVATIONS	BOBRICK (OR EQ.)
E	WALL-MOUNT LIQUID SOAP DISPENSER	B-170	SEE ELEVATIONS	BOBRICK (OR EQ.)
F	WALL-MOUNT TOILET TISSUE DISPENSER	B-2888	SEE ELEVATIONS	BOBRICK (OR EQ.)
G	WALL-MOUNT SANITARY NAPKIN DISPOSAL	B-254	25" TO TOP LID	BOBRICK (OR EQ.)
H	WALL-MOUNT TEMP. GLS., 18" W. X 30" H. MIRROR W/ STN. STL. TRIM	B-1658-1830	SEE ELEVATIONS	BOBRICK (OR EQ.)
I	UNDER-COUNTER MOUNT STN. STL. WORK SINK W/ ADA HARDWARE & DRINKING FAUCET	(SEE P' DWGS.)	-	ELKAY LUSTERTONE (OR EQ.)
J	UNDER-COUNTER MOUNT LAVATORY W/ ADA HARDWARE	(SEE P' DWGS.)	-	AMER. STD. OVALYN
K	FLOOR MOUNT TANK TYPE ADA HEIGHT WATER-CLOSET	(SEE P' DWGS.)	17"-19" A.F.F. TO RIM	AMER. STD. CADET
L	UNDER-COUNTER MOUNT STN. STL. ART / SLOP SINK W/ ADA HARDWARE	(SEE P' DWGS.)	-	ELKAY LUSTERTONE (OR EQ.)
M	UNDER-COUNTER MOUNT STN. STL. HAND SINK W/ ADA HARDWARE	(SEE P' DWGS.)	-	ELKAY LUSTERTONE (OR EQ.)
N	WALL-MOUNT B.F. LAV. W/ ADA HARDWARE	(SEE P' DWGS.)	SEE ELEVATIONS	AMER. STD. COMRADE
O	P-TRAP PROTECTIVE BOOT	-	-	PLUMBER EX. PRO EXTREME
P	FLOOR MOUNT TANK TYPE STANDARD HEIGHT WATER-CLOSET	(SEE P' DWGS.)	-	AMER. STD.
Q	RESIDENTIAL REFRIGERATOR/FREEZER W/ ICE MAKER	-	-	OWNER FURNISH, GC COORD.
R	WALL-MOUNT FLUSH-VALVE URINAL	(SEE P' DWGS.)	17" A.F.F. TO RIM	AMER. STD. ALLBROOK
S	WALL-MOUNT TANK-HIGH LOW DRINKING FOUNTAIN	(SEE P' DWGS.)	SEE ELEVATIONS	BOBRICK (OR EQUAL)
T	WALL-MOUNT TEMP. GLASS 34"X30" MIRROR W/ STN. STL. TRIM	B-1658-2430	SEE ELEVATIONS	BOBRICK (OR EQUAL)
U	FLOOR MOUNT OVERHEAD BRACED SOLID S.C.R.C. (OR SOLID PHENOLIC) TOILET PARTITION SYST.	COLOR: LINEN	SEE ELEVATIONS	SCRANTON PRODUCTS
V	WALL-MOUNT FULL WIDTH TEMP. GLS. MIRROR W/ STN. STL. TRIM	B-1658	SEE ELEVATIONS	BOBRICK (OR EQUAL)
W	RESIDENTIAL MICROWAVE OVEN	-	SEE ELEVATIONS	OWNER FURNISH, GC COORD.

MARK	DESCRIPTION
AA	24" (OR 18" D.) X 1 1/2" H. (TOP @ 29" A.F.F.) PLYWOOD W/ PLAST. LAM. FINISH WORK COUNTER
BB	22" D. X 1" W. PLYWOOD W/ PLAST. LAM. FINISH COUNTER SUPPORT LEG W/ KNEE SPACE CUT-OUT
CC	1 1/2" D. X 4" H. WOOD LEDGER W/ PLAST. LAM. FINISH & ATTACHED INTO PLYWOOD BACKING BTWN. STUDS
DD	4" H. X 3/4" THK. PLYWOOD W/ PLAST. LAM. FINISH PRE-FAB BACK-SPLASH CONT. @ BACK & EA. SIDE @ COUNTER & WALL INTERSECTION
EE	16" D. X 1 1/2" H. PLYWOOD W/ PLAST. LAM. FINISH PRE-FAB SHELF (COORD. EXTRA DEPTH & SUPPORT AS NEEDED FOR MICROWAVES IN RM. #122)
FF	14" D. X 1" W. PLYWOOD W/ PLAST. LAM. FINISH SHELF SUPPORT BRACKET
GG	24" D. X 30" H. PLYWOOD W/ PLAST. LAM. FINISH PRE-FAB BASE CABINET & COUNTER
HH	16" D. X 30" H. PLYWOOD W/ PLAST. LAM. FINISH PRE-FAB UPPER CABINET
II	24" D. X 34" H. PLYWOOD W/ PLAST. LAM. FINISH PRE-FAB VANITY BASE CABINET & SOLID SURFACE COUNTER W/ CUT-OUT FOR UNDER-COUNTER LAV.
JJ	1" W. X 33" H. PLYWOOD W/ PLAST. LAM. FINISH PRE-FAB VERTICAL END PANEL
KK	24" D. X 34" H. PLYWOOD W/ PLAST. LAM. FINISH PRE-FAB VANITY SECTION & B.F. OPENING & SOLID SURFACE COUNTER W/ CUT-OUTS FOR UNDER-COUNTER LAVS.
LL	1" THK. X 1-5 1/2" H. X 30" (MIN.) W. PLYWOOD W/ PLAST. LAM. FINISH REMOVEABLE SKIRT BOARD
MM	24" D. X 34" H. PLYWOOD W/ PLAST. LAM. FINISH PRE-FAB BASE CABINET & SOLID SURFACE COUNTER W/ CUT-OUTS FOR UNDER-COUNTER MOUNT SINKS
NN	24" D. (OR 18" D.) X 27" H. PLYWOOD W/ PLAST. LAM. FINISH PRE-FAB BASE CABINET PREP'D FOR OFFICE WORK COUNTER
OO	4'-4" W X 7'-0" H X 2'-0" D. PLYWOOD W/ PLAST. LAM. FINISH PRE-FAB DOORED CABINET W/ ADJUSTABLE SHELVES
PP	13'-0" W X 7'-0" H X 1'-0" D. PLYWOOD W/ PLAST. LAM. FINISH PRE-FAB BOOKCASE/UNIT W/ FIXED SHELVES
QQ	5'-0" W. X 7'-0" H. X 2'-0" D. PLYWOOD W/ PLAST. LAM. FINISH PRE-FAB OPEN ARTWORK DRYING CABINET W/ (6) ADJUSTABLESHELVES AT EACH SIDE
RR	24" D. X 34" H. PLYWOOD W/ PLAST. LAM. FIN. OPEN SHELVING & SOLID SURFACE COUNTER

REVISIONS	BY

Slattery & Associates
ARCHITECTS PLANNERS
 2060 NW BOCA RATON BLVD.
 SUITE 2
 BOCA RATON, FL 33431
 TEL: 561-392-3848
 FAX: 561-392-5402
 WWW.SLATTERYARCHITECTS.COM

ACTIVITY CENTER FOR FLORENCE FULLER CHILD DEVELOPMENT CENTERS WEST CAMPUS S.W. 185TH STREET BOCA RATON, PALM BEACH COUNTY, FLORIDA

BIDDING NOT FOR CONSTRUCTION
 SEAL DATE: X-X-X
 SLATTERY & ASSOCIATES
 FLORIDA REGISTRATION # AA0003381

INTERIOR ELEVATIONS
 DRAWN: CR, DR, AB
 CHECKED: KB
 DATE: 10-21-16
 SCALE: AS NOTED
 JOB NO.: 2011-64
 SHEET: A804

DATE PLOTTED: 11/16/16 10:44:42