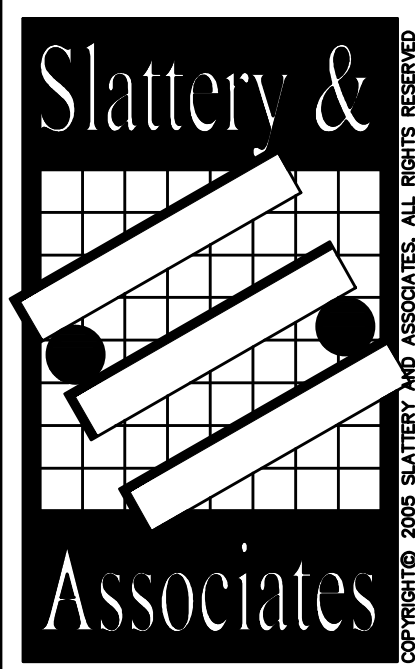


REVISIONS	BY



**ARCHITECTS
PLANNERS**
2060 NW BOCA RATON BLVD.
SUITE 2
BOCA RATON, FL 33431
TEL: 561-392-3848
FAX: 561-392-5402
WWW.SLATTERYARCHITECTS.COM

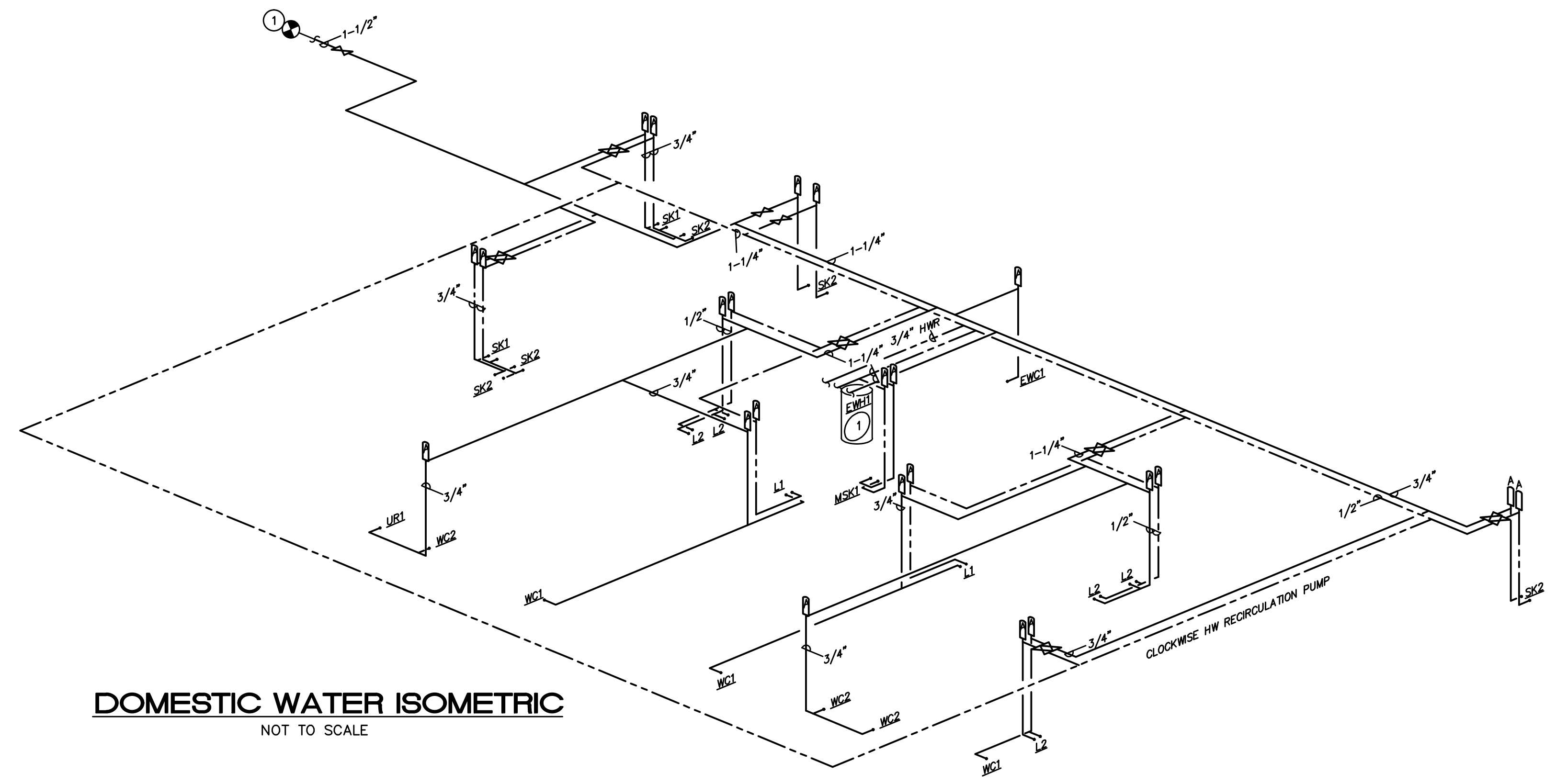
**ACTIVITY CENTER
FOR
FLORENCE FULLER CHILD DEVELOPMENT CENTERS
WEST CAMPUS
S.W. 185TH STREET
BOCA RATON, PALM BEACH COUNTY, FLORIDA**

**BIDDING
NOT FOR
CONSTRUCTION**
DATE OF SEAL: 4/2/08
SLATTERY & ASSOCIATES
FLORIDA REGISTRATION # AA0003381

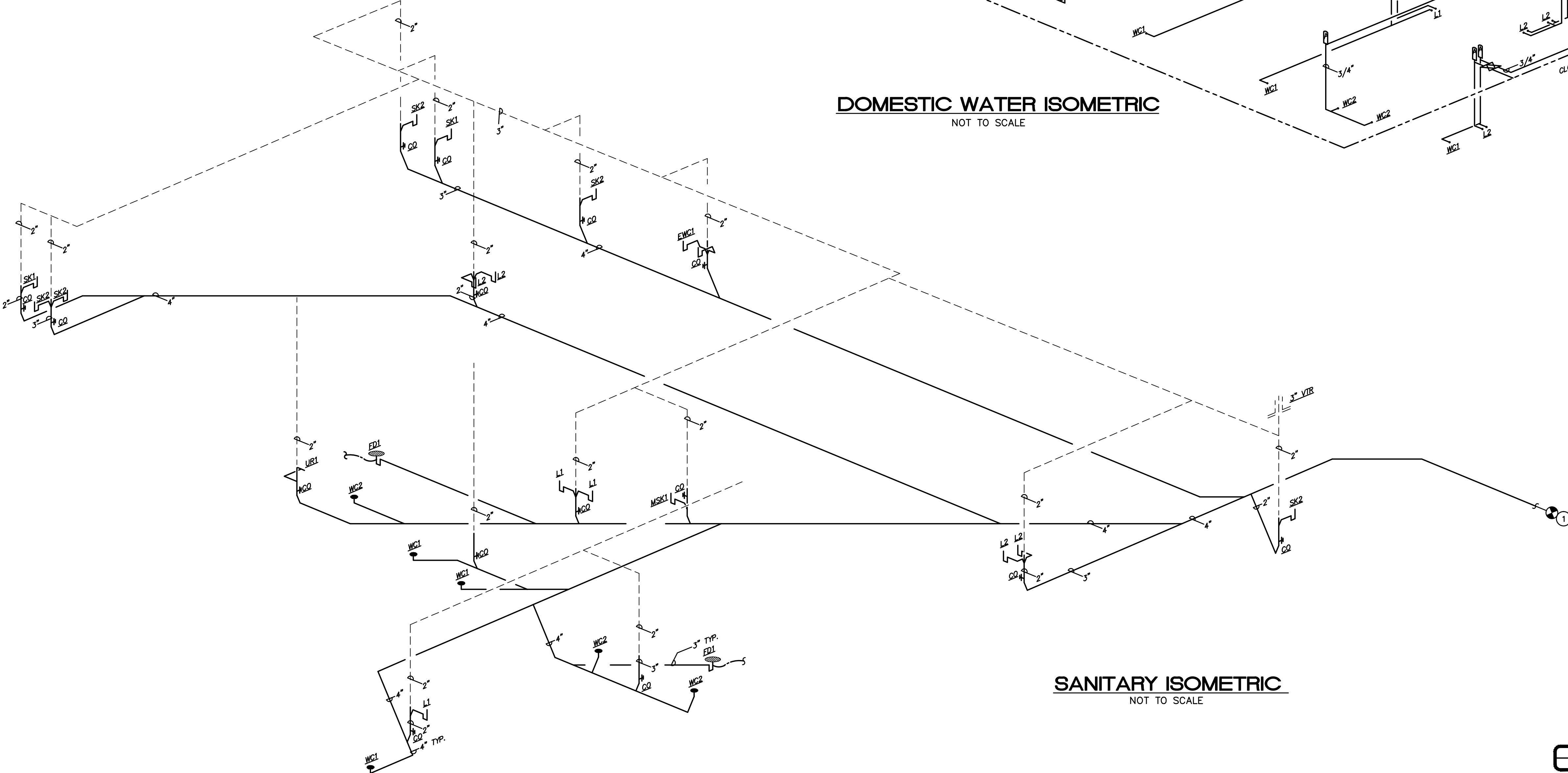
DRAWN	JWC/PG/AE
CHECKED	AK/MP
DATE	10-21-16
SCALE	AS NOTED
JOB NO.	2011-64
SHEET	

P5.1

PHASE: C.D. SET 10-21-16



DOMESTIC WATER ISOMETRIC
NOT TO SCALE



SANITARY ISOMETRIC
NOT TO SCALE

ISSUED FOR PERMIT	
ISSUED FOR CONSTRUCTION	
KAMM CONSULTING PROJECT #	2016-0024
PRODUCT MANAGER:	JOHN CHIRGWIN
	1407 West Newport Center Drive Deerfield Beach, Florida 33442 Phone 954.949.2200 Fax 954.949.2201 engineering@kammconsulting.com Certification of Authorization #8189
date	10.21.16
signed	

SANITARY/DOMESTIC WATER ISOMETRIC