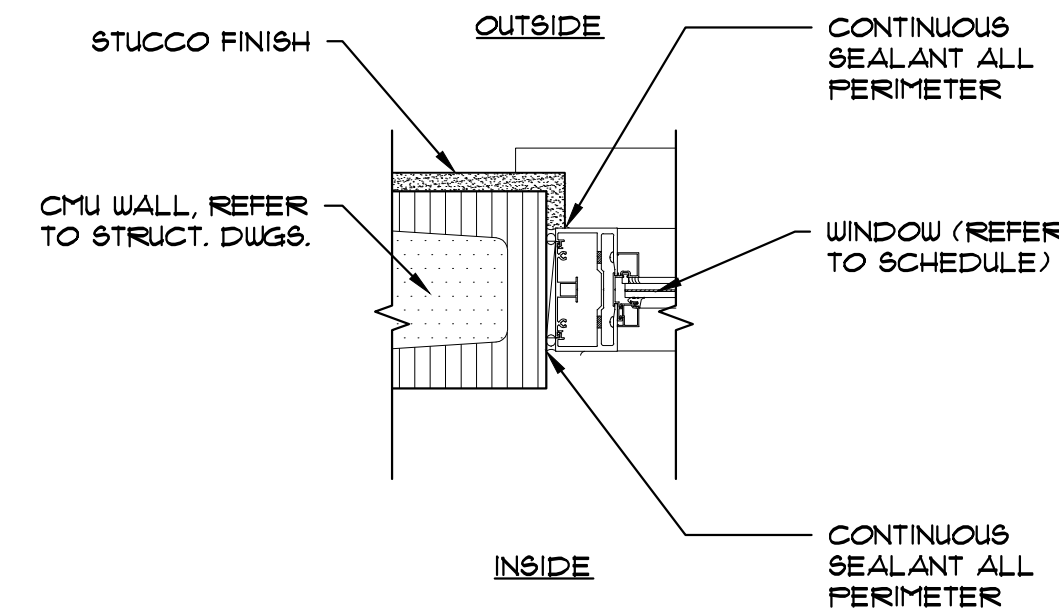
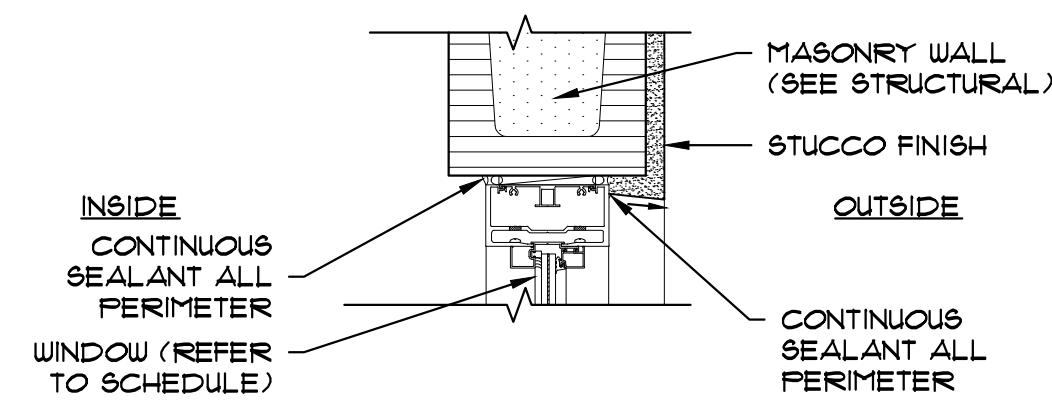


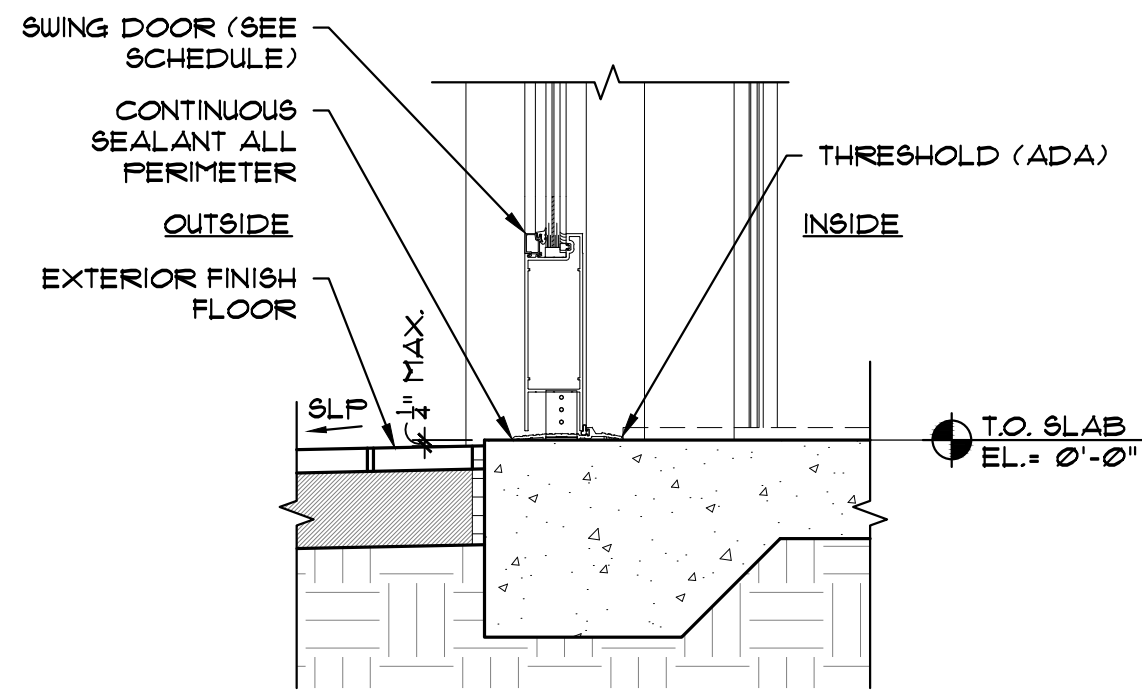
2S WINDOW SILL
1 1/2" = 1'-0"



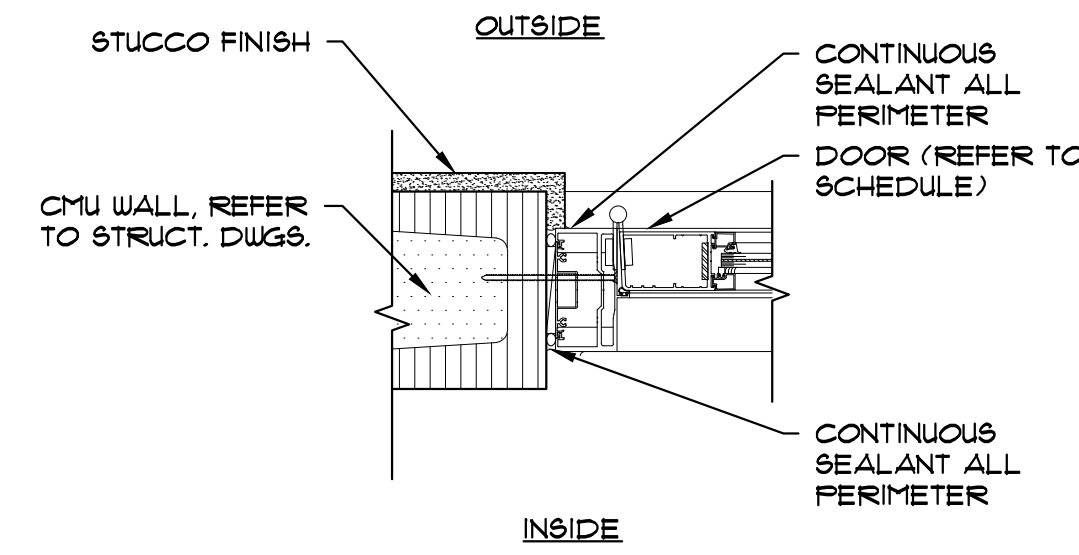
2J WINDOW JAMB
1 1/2" = 1'-0"



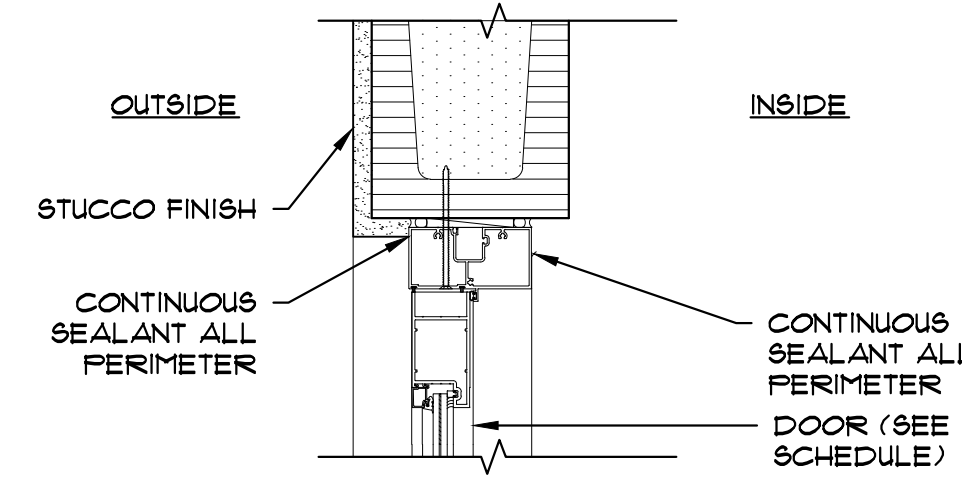
2H WINDOW HEAD
1 1/2" = 1'-0"



1S DOOR SILL
1 1/2" = 1'-0"



1J DOOR JAMB
1 1/2" = 1'-0"



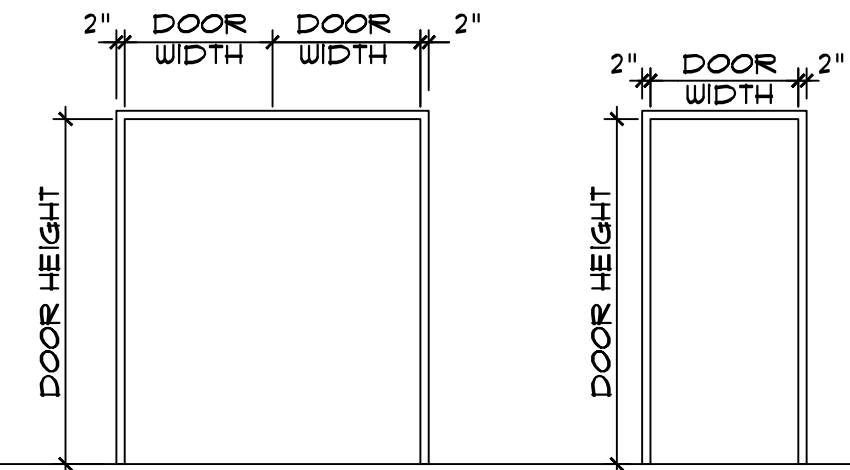
1H WINDOW SILL/
DOOR HEAD
1 1/2" = 1'-0"

DOOR AND FRAME SCHEDULE													
MARK	LOCATION	DOOR			FRAME		DETAILS (SHT. A-6.02)			WIND PRESSURE		PRODUCT APPROVAL NUMBER	REMARKS
		TYPE	MAT.	UNIT SIZE (WxH)	TYPE	MAT.	SILL	JAMB	HEAD	AREA SF	POS.		
101-1	STOREFRONT	A	AL	(2) 36" X 86"	1	AL	1S	1J	1H			-	
102-2	EXIT DOOR	B	HM	36" X 86"	2	HM	1S	1J	1H				
103-1	STOREFRONT	A	AL	(2) 36" X 86"	1	AL	1S	1J	1H				

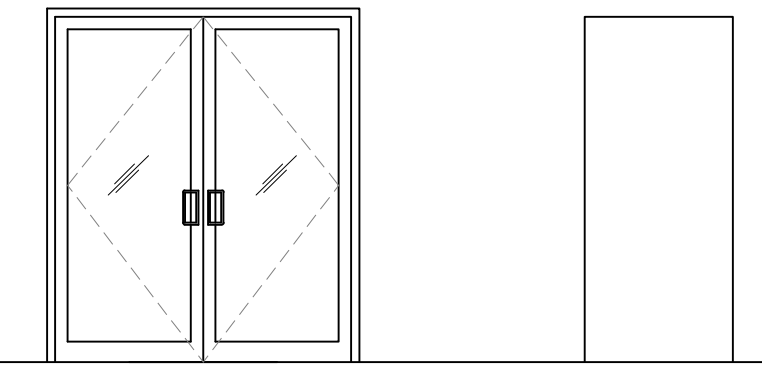
WINDOW SCHEDULE											
MARK	LOCATION	TYPE	MAT.	NOM. UNIT SIZE	DETAILS (SHT. A-6.02)			WIND PRESSURE		PRODUCT APPROVAL NUMBER	REMARKS
					SILL	JAMB	HEAD	AREA SF	POS.		
01	STOREFRONT	A	AL	66" X 86"	2S	2J	2H			-	
02	STOREFRONT	A	AL	66" X 86"	2S	2J	2H				
03	STOREFRONT	A	AL	66" X 86"	2S	2J	2H				
04	STOREFRONT	A	AL	66" X 86"	2S	2J	2H				

DOOR & FRAME TYPES

NOTE: SEE SCHEDULE FOR DOOR WIDTH & HEIGHTS



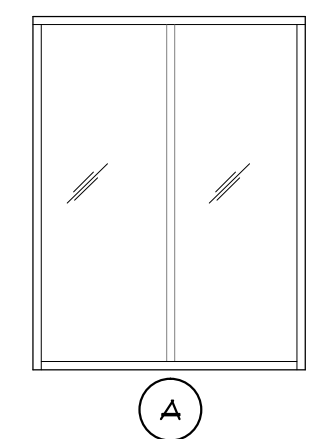
1 2" HEAD
2 2" HEAD



A SWING GLASS
B SWING FLUSH

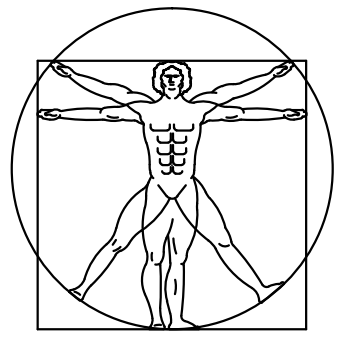
WINDOW TYPES

NOTE: SEE SCHEDULE FOR WINDOW WIDTH & HEIGHTS. ALL WINDOWS FIXED UNLESS OTHERWISE NOTED



A

REG
ARCHITECTS
INTERIORS
PLANNERS
INCORPORATED



EST. 1988
RICK GONZALEZ, AIA
PRESIDENT AR-0014172
300 CLEMATIS STREET
WEST PALM BEACH
FLORIDA 33401
PH: (561)-659-2383
FAX: (561)-659-5546
www.regarchitects.com

CORPORATION NUMBER
AA-0002447

VILLAGE COMMONS
SUITE 602B

WEST PALM BEACH, FL. 33409

REVISIONS	NO.
	▲
	▲
	▲
	▲

DATE 10-20-2016

SCALE AS NOTED

DRAWN BC

CHECKED MHA/REG

REG No. 16020

© 2016

OWNERSHIP AND USE OF THESE DOCUMENTS & SPECIFICATIONS AS INSTRUMENTS OF SERVICE ARE AND SHALL REMAIN THE PROPERTY OF THE ARCHITECT WHETHER THE PROJECT THEY ARE MADE FOR IS EXECUTED OR NOT. THEY SHALL NOT BE USED BY THE OWNER OR OTHERS ON OTHER PROJECTS OR FOR ADDITIONS TO THIS PROJECT BY OTHERS, EXCEPT BY AGREEMENT IN WRITING AND WITH APPROPRIATE COMPENSATION TO THE ARCHITECT.

WINDOW & DOOR
SCHEDULE/DETAILS

AD-1.02