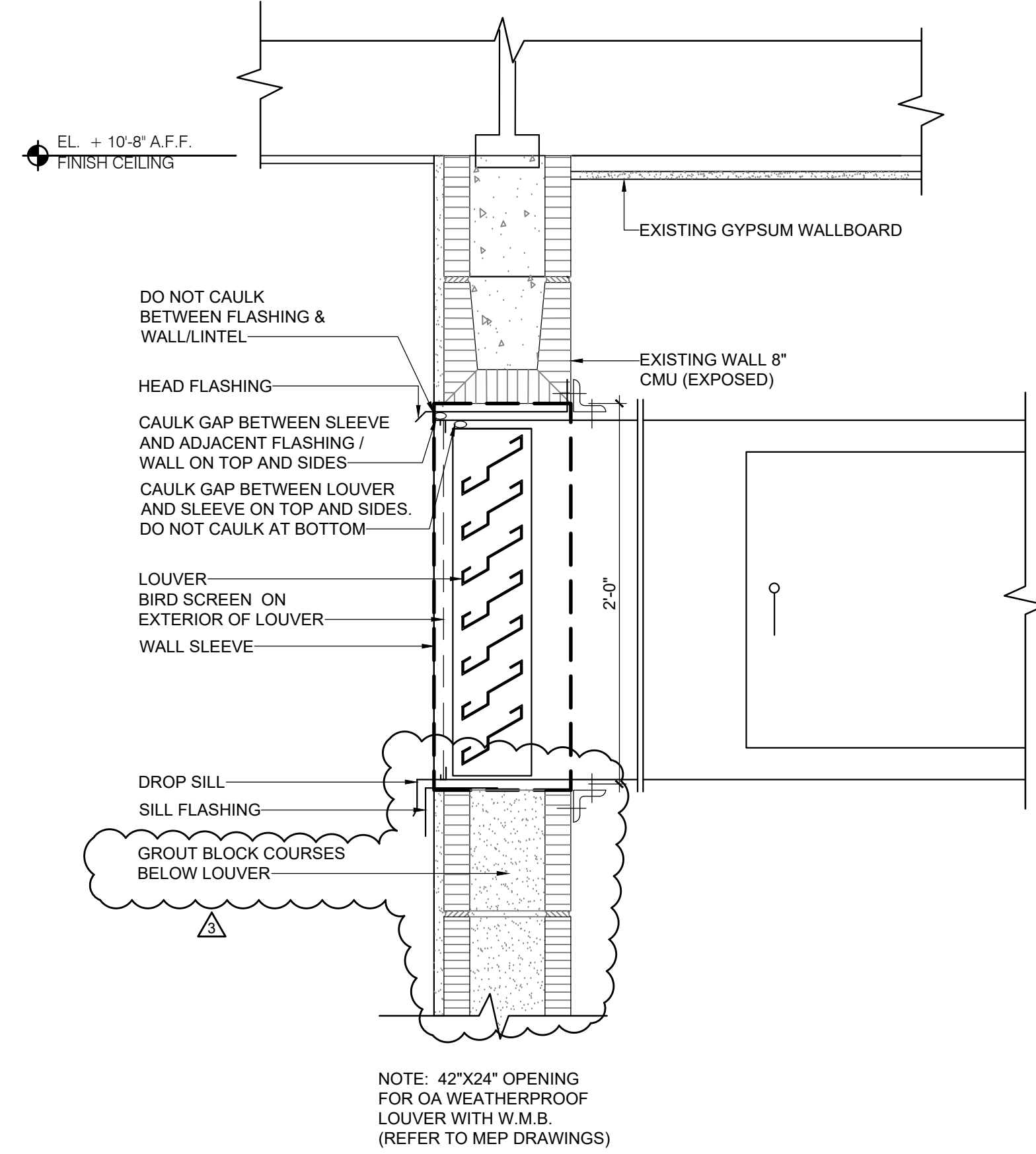
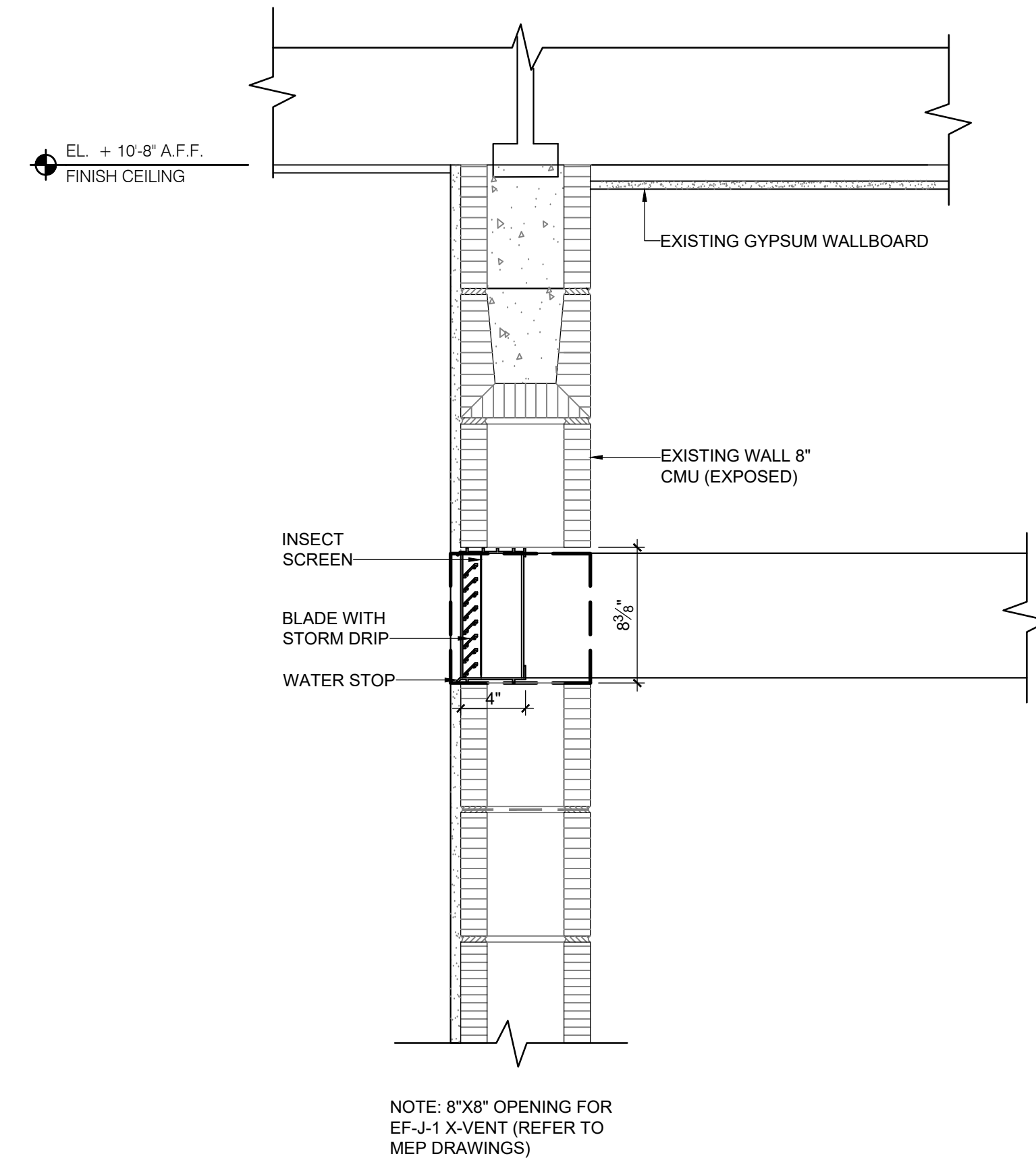


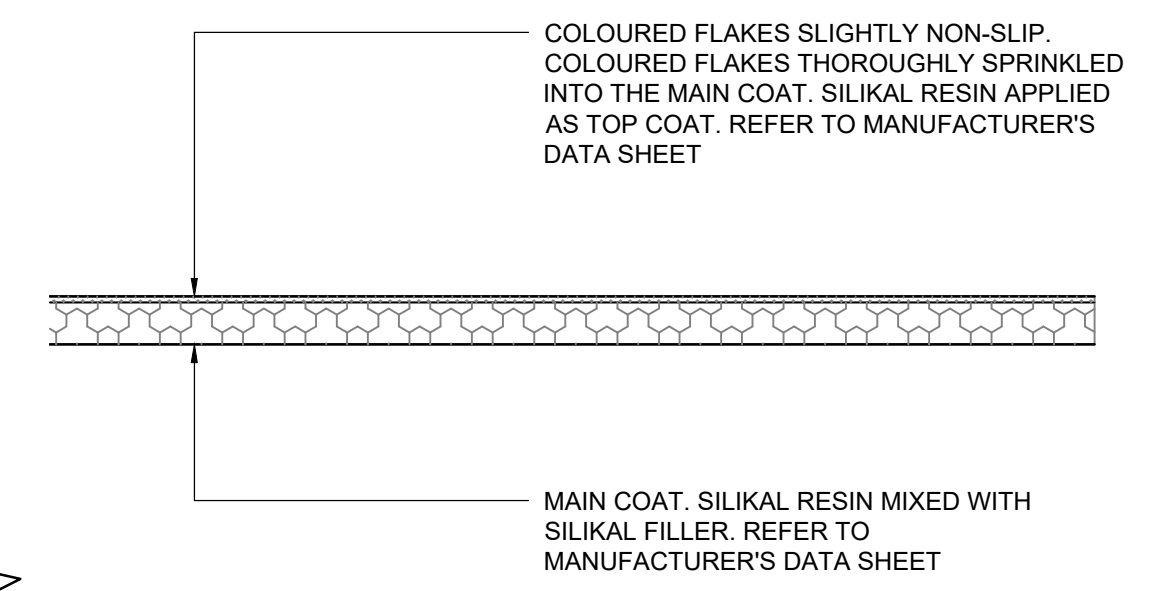
1 LOUVER OPENING DETAIL
 A-5a SCALE: 1 1/2" = 1'-0"



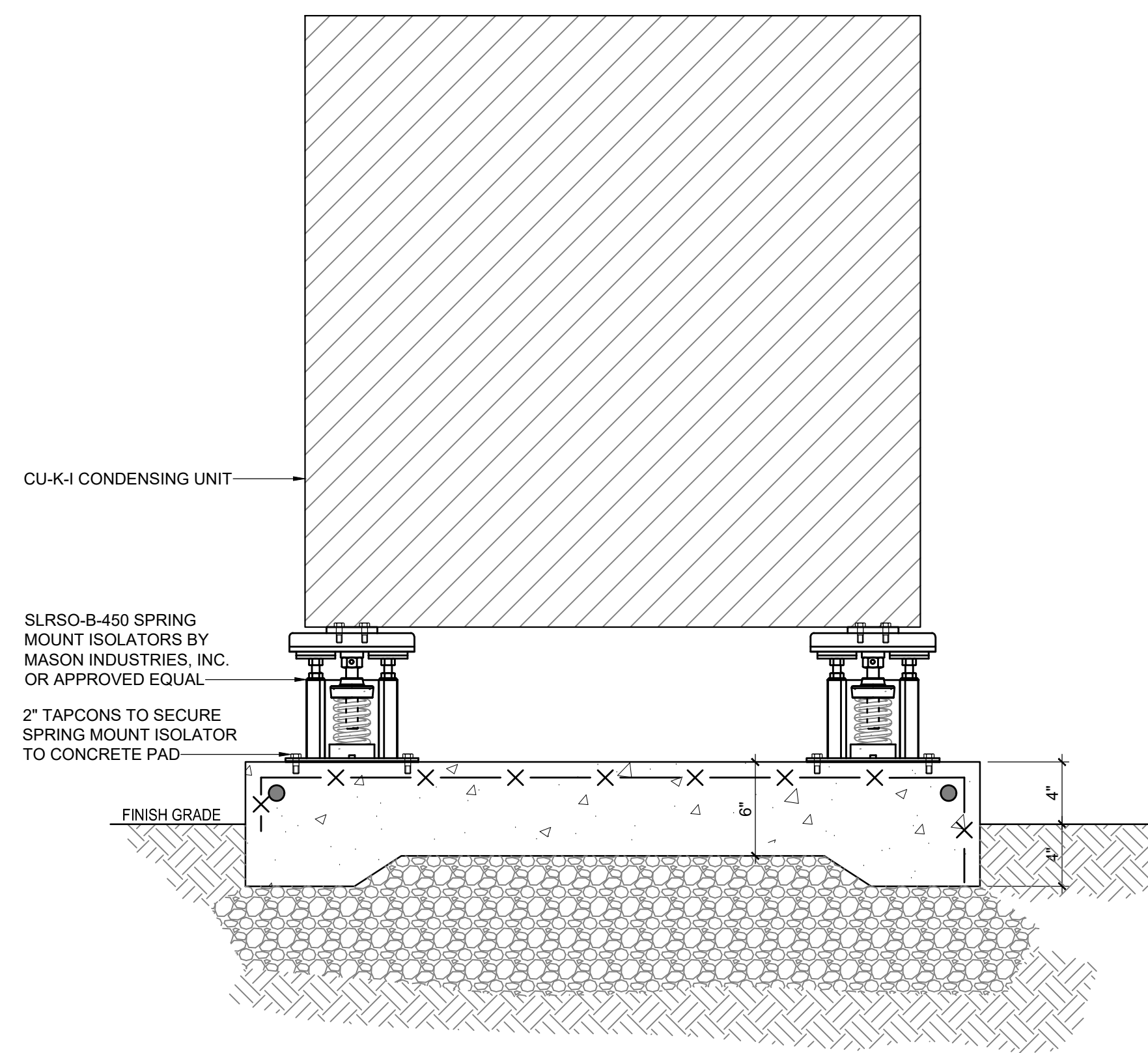
2 LOUVER OPENING DETAIL
 A-5a SCALE: 1 1/2" = 1'-0"



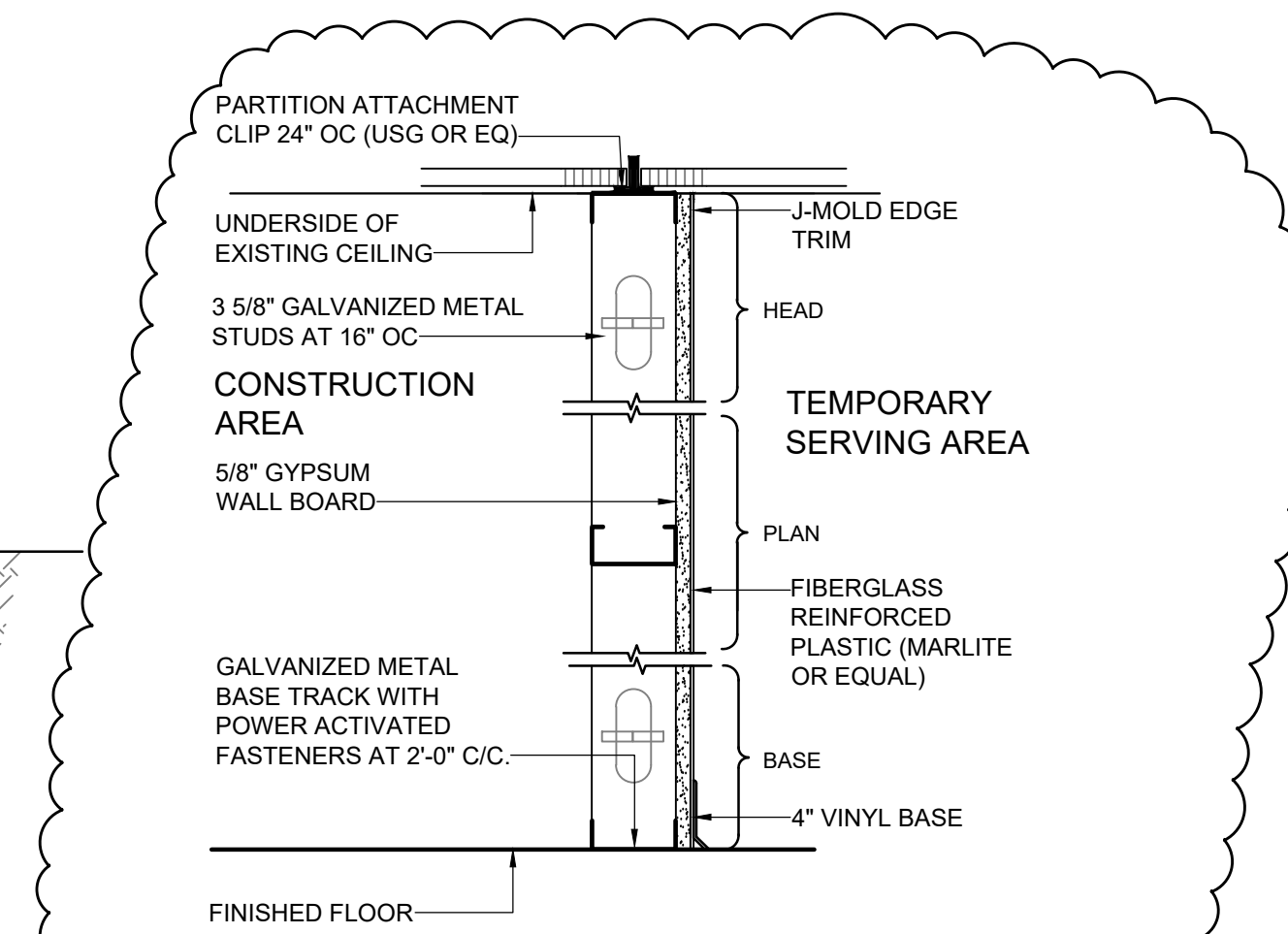
3 X-VENT OPENING DETAIL
 A-5a SCALE: 1 1/2" = 1'-0"



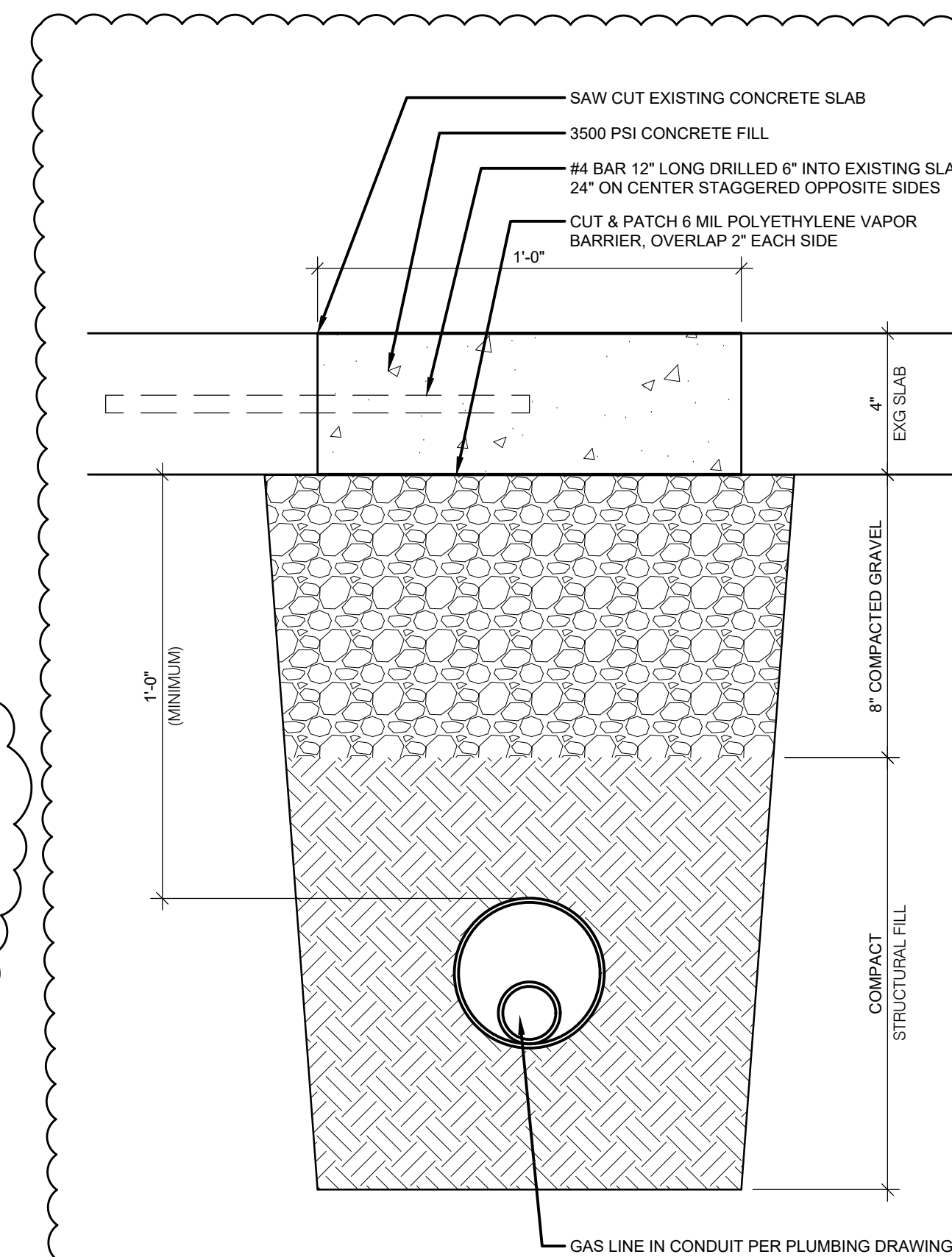
4 SILIKAL FLOOR DETAIL
 A-5a SCALE: 1 1/2" = 1'-0"



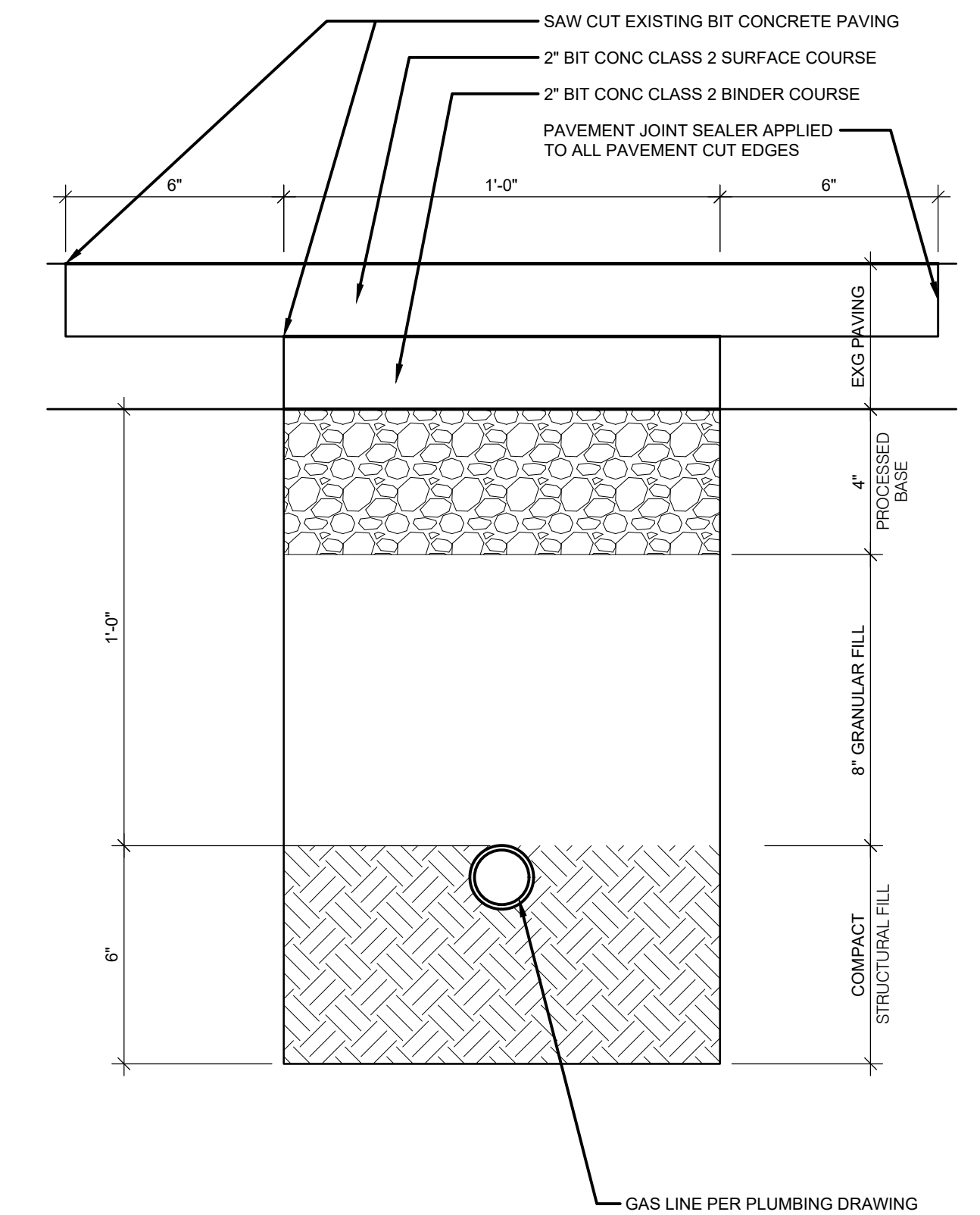
5 CONDENSING UNIT INSTALLATION DETAIL
 A-5a SCALE: 1 1/2" = 1'-0"



W3 TEMPORARY WALL
 SCALE: 1 1/2" = 1'-0"



TYPICAL GAS PIPE AT SLAB
 SCALE: 3" = 1'-0"



TYPICAL GAS PIPE AT PAVING
 SCALE: 3" = 1'-0"

East Hampton, Connecticut 06424
 Phone: (860) 286-3372
 Fax: (860) 286-3373
 Email: info@singer-architects.com
 www.singer-architects.com

SINGER ARCHITECTS

PROJECT: NORTH HOMELESS ASSISTANCE CENTER KITCHEN RENOVATION
 1700 BLOUNT ROAD, POMPANO BEACH, FL 33069

FILE NO.: 18012
 DATE: 03/23/2016
 DRAWN BY: ZL
 CHECKED BY: TM

REVISIONS:

NO.	DESCRIPTION	DATE	BY
1	BLDG DEPT COMMENTS	03/23/2016	ZL
2	CHD COMMENTS	06/21/2016	TAM
3	CHD COMMENTS	12/02/2016	TAM

STAMP: NOT FOR CONSTRUCTION
 ISSUED FOR: ADDENDUM NO. 1
 DATE: 12/02/2016

SHEET TITLE: DETAILS
 SHEET NUMBER: A-5a