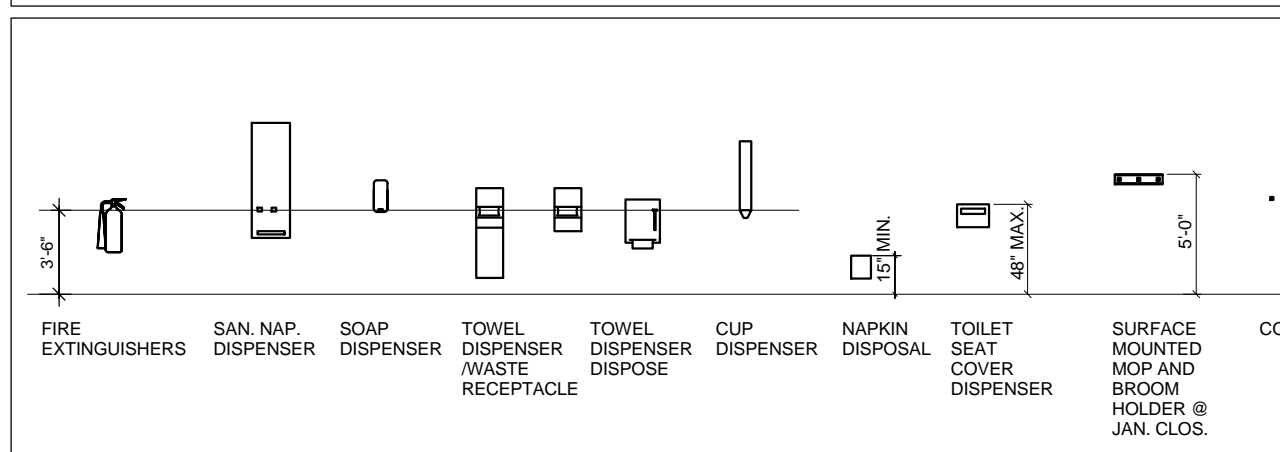


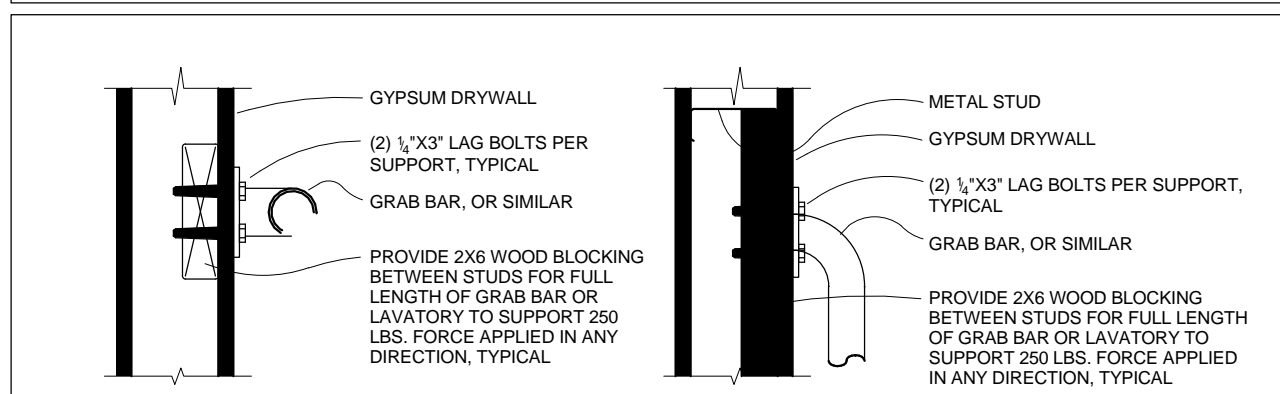
- 1 SURFACE MOUNTED MULTI-ROLL TOILET TISSUE DISPENSER CENTERLINE A 7" TO 9" IN FRONT OF WATER CLOSET AND OUTLET OF DISPENSER MIN 15" TO MAX 48" A.F.F.
- 1A SANITARY NAPKIN DISPOSAL W/ INLET OF DISPOSAL MIN 15" TO MAX 48" A.F.F.
- 2 1-1/2" H.C. 36" L STAINLESS STEEL GRAB BARS W/ CONCEALED MOUNTINGS.
- 2A 1-1/2" H.C. 42" L STAINLESS STEEL GRAB BARS W/ CONCEALED MOUNTINGS.
- 3 SURFACE MOUNTED SOAP DISPENSER.
- 4 MIRROR - BOTTOM AT MAX. 40" A.F.F.
- 5 SEMI RECESSED PAPER TOWEL DISPENSER AND WASTE RECEPTACLE.
- 6 H.C. WATER CLOSET.
- 7 H.C. LAVATORY AND FAUCET

NOTE: ACCESSIBLE KNEE SPACE PER F.A.C. FIGURES 306.2 AND 306.3. EXPOSED WATER AND DRAIN PIPES UNDER LAVATORY SHALL BE INSULATED OR OTHERWISE CONFIGURED TO PROTECT AGAINST CONTACT. THERE SHALL BE NO SHARP OR ABRASIVE SURFACES UNDER LAVATORIES AND SINKS.

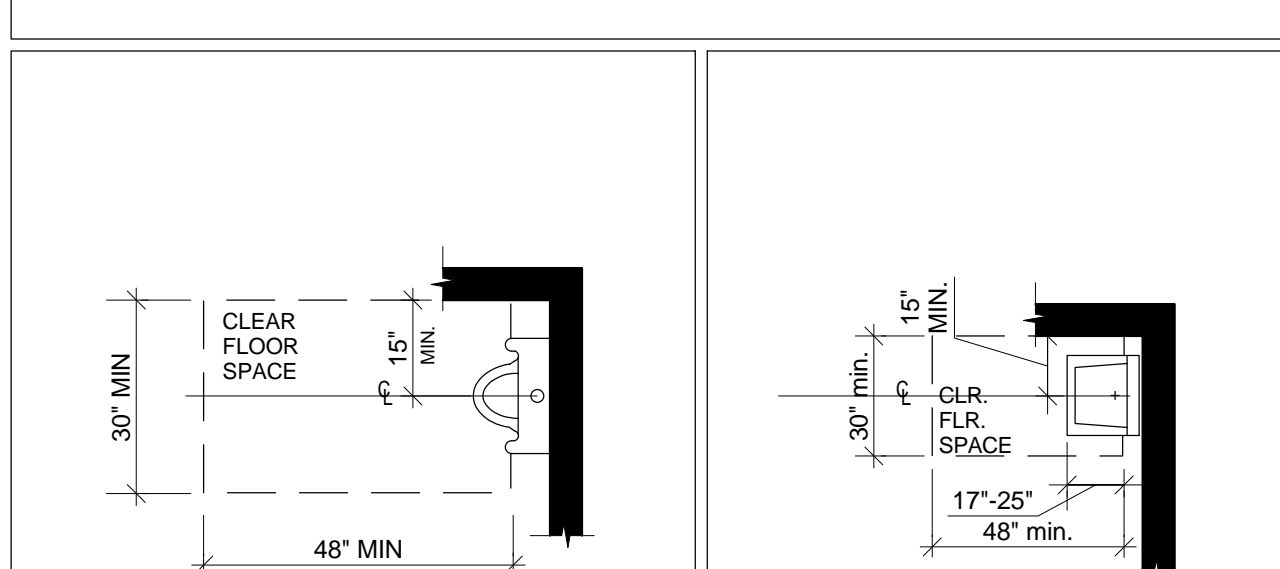
TYPICAL ACCESSIBLE RESTROOM
 REPRESENTED ACCESSORIES AND FIXTURES- MAY NOT REFLECT ACTUAL ORIENTATION/SIZE OR FEATURES OF RESTROOM. SEE CONSTRUCTION PLANS.



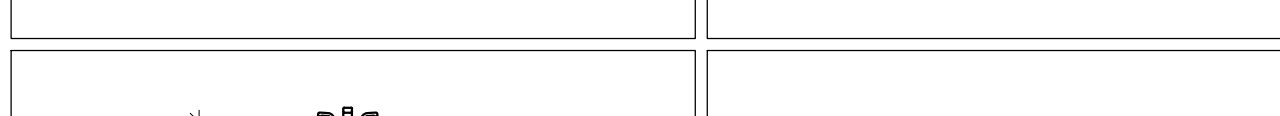
TYPICAL MOUNTING HEIGHTS
 NOT ALL DIAGRAMS APPLY



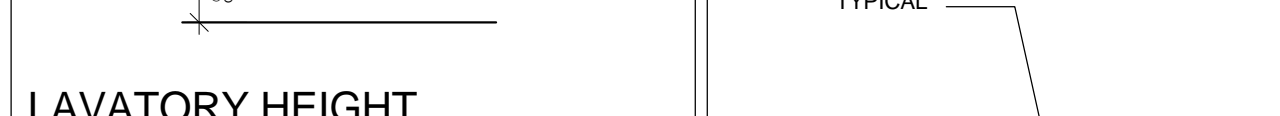
TYPICAL GRAB BAR BACKING DETAIL



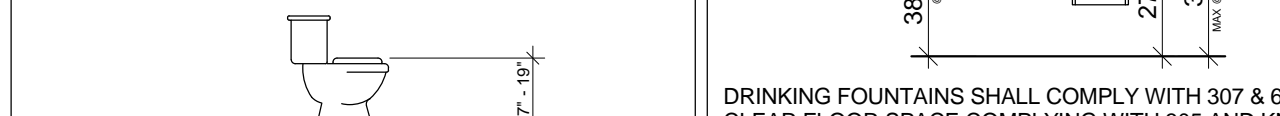
URINAL FLOOR CLEARANCE



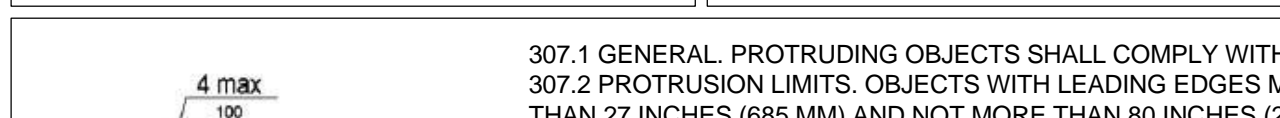
LAVATORY AND DRINKING FOUNTAIN FLOOR CLEARANCE



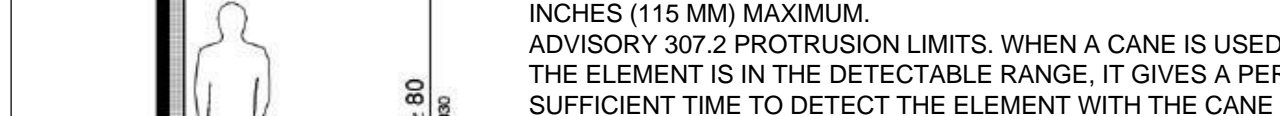
LAVATORY HEIGHT



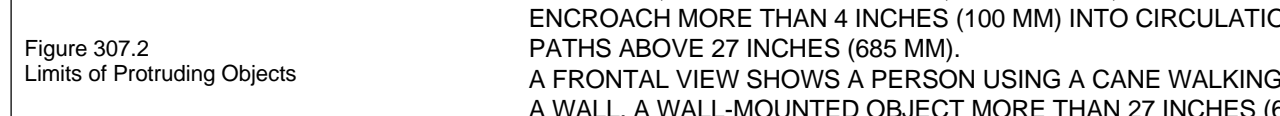
TOILET HEIGHT



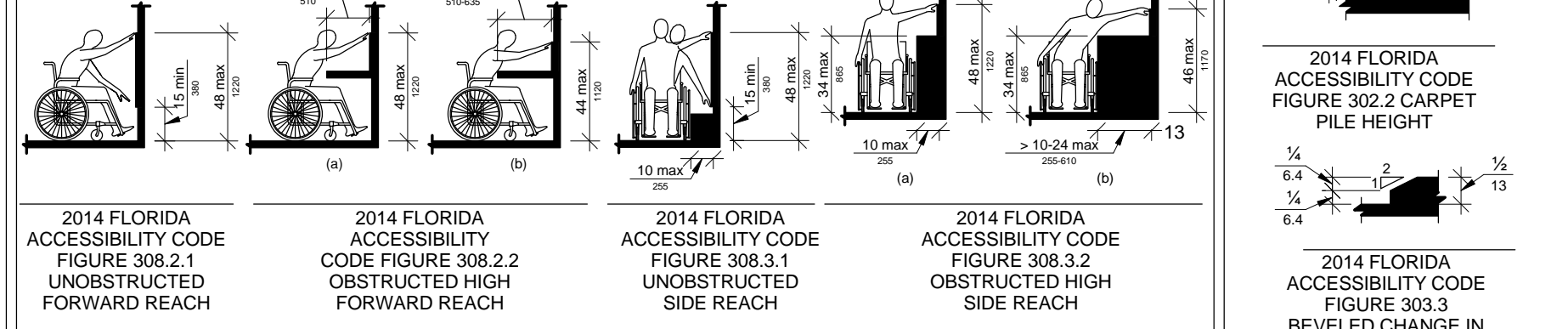
DRINKING FOUNTAIN HEIGHT



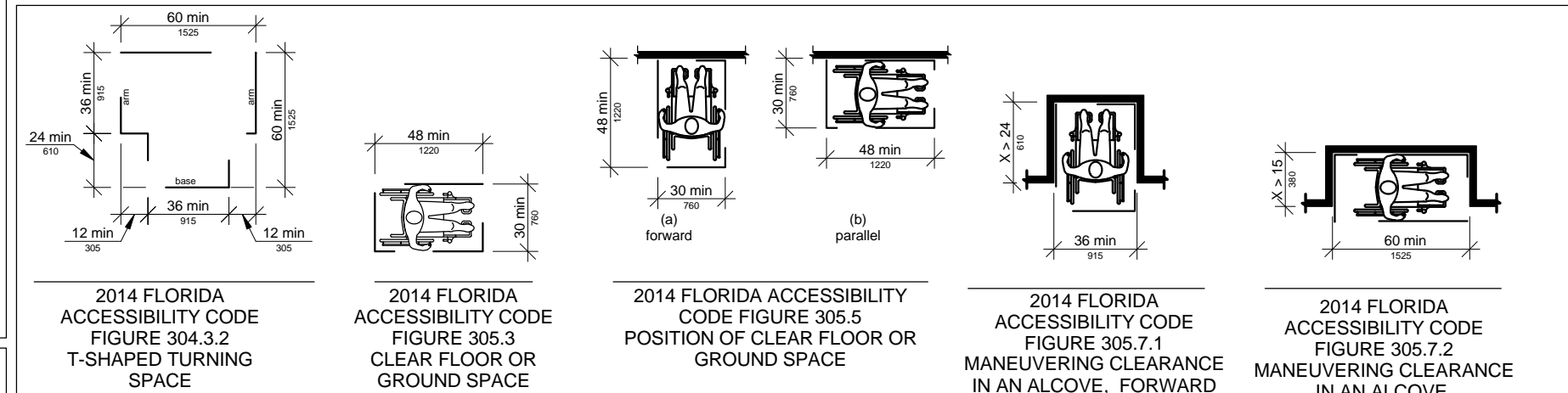
307.1 GENERAL. PROTRUDING OBJECTS SHALL COMPLY WITH 307.307.2 PROTRUSION LIMITS. OBJECTS WITH LEADING EDGES MORE THAN 27 INCHES (685 MM) AND NOT MORE THAN 80 INCHES (2030 MM) ABOVE THE FINISH FLOOR OR GROUND SHALL PROTRUDE 4 INCHES (100 MM) MAXIMUM HORIZONTALLY INTO THE CIRCULATION PATH. EXCEPTION: HANDRAILS SHALL BE PERMITTED TO PROTRUDE 4 1/2 INCHES (115 MM) MAXIMUM. ADVISORY 307.2 PROTRUSION LIMITS. WHEN A CANE IS USED AND THE ELEMENT IS IN THE DETECTABLE RANGE, IT GIVES A PERSON SUFFICIENT TIME TO DETECT THE ELEMENT WITH THE CANE BEFORE THERE IS BODY CONTACT. ELEMENTS LOCATED ON CIRCULATION PATHS, INCLUDING OPERABLE ELEMENTS, MUST COMPLY WITH REQUIREMENTS FOR PROTRUDING OBJECTS. FOR EXAMPLE, AWNINGS AND THEIR SUPPORTING STRUCTURES CANNOT REDUCE THE MINIMUM REQUIRED VERTICAL CLEARANCE. SIMILARLY, CASEMENT WINDOWS, WHEN OPEN, CANNOT ENROACH MORE THAN 4 INCHES (100 MM) INTO CIRCULATION PATHS ABOVE 27 INCHES (685 MM). A FRONTAL VIEW SHOWS A PERSON USING A CANE WALKING ALONG A WALL. A WALL-MOUNTED OBJECT MORE THAN 27 INCHES (685 MM) FROM THE FLOOR PROTRUDES NO MORE THAN 4 INCHES (100 MM) FROM THE WALL SURFACE. AN OBJECT OVERHEAD PROVIDES VERTICAL CLEARANCE THAT IS GREATER THAN 80 INCHES (2030 MM).



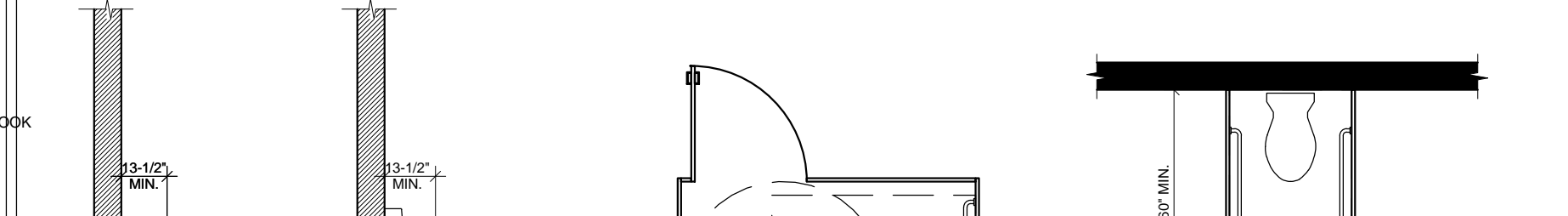
PROTRUDING OBJECTS



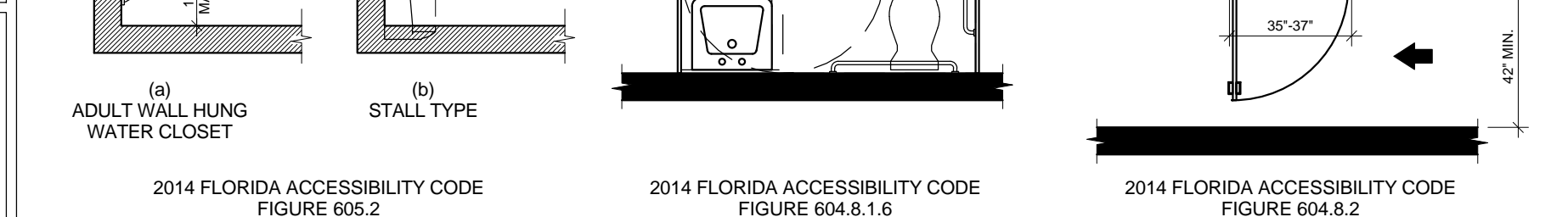
REACH LIMITS FOR WHEELCHAIR USERS



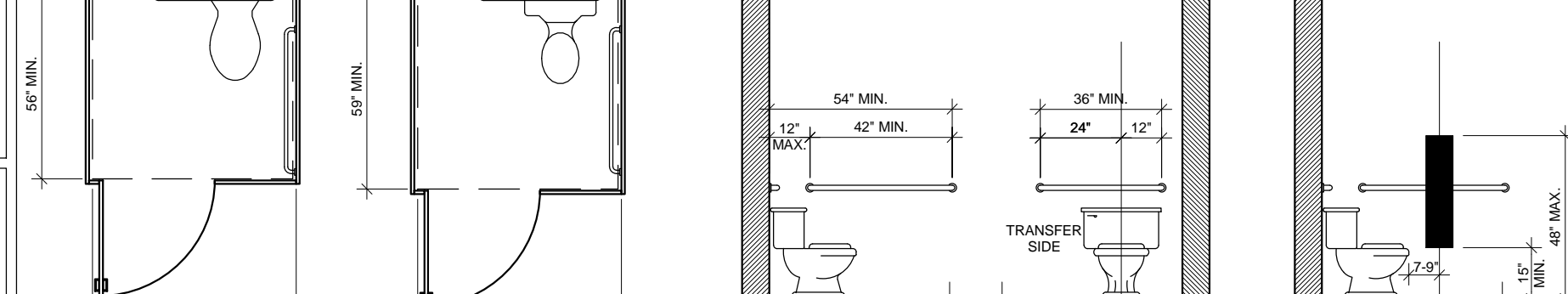
CHANGES IN LEVEL



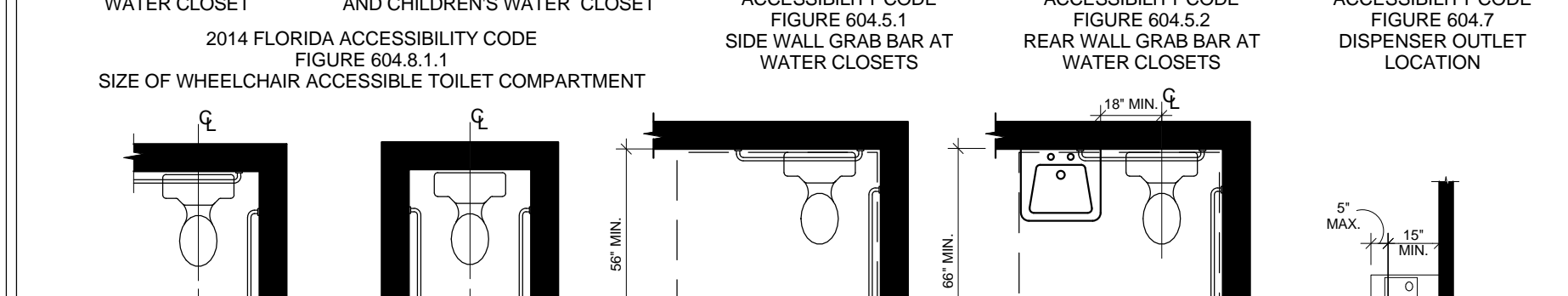
TURNING SPACE & CLEAR GROUND OR FLOOR SPACE



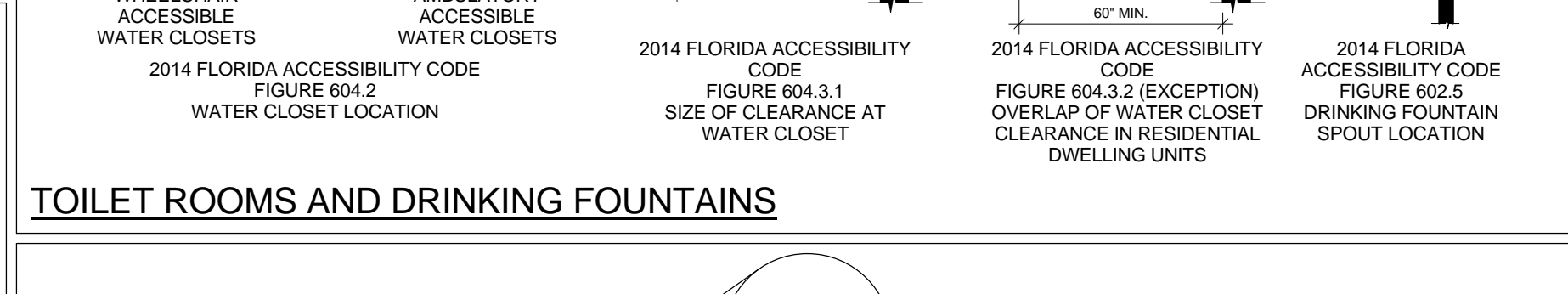
TYPICAL ACCESSIBLE SIGNAGE



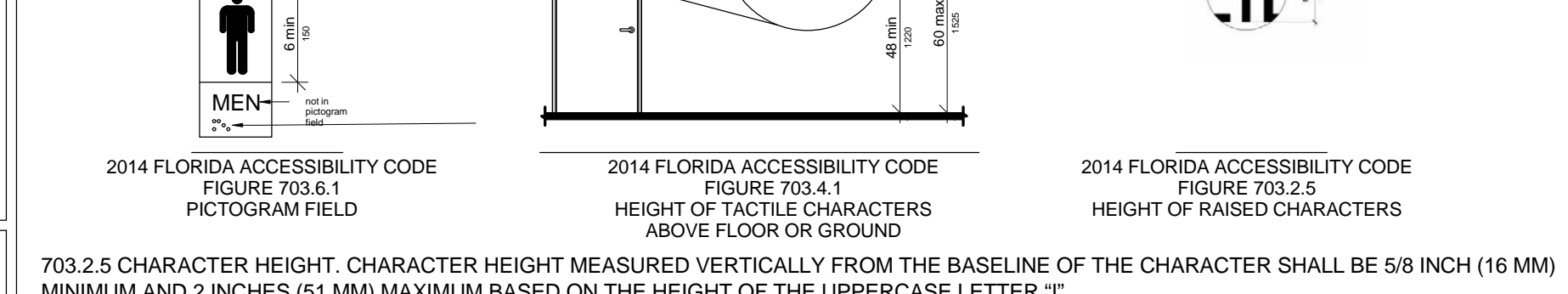
TOILET ROOMS AND DRINKING FOUNTAINS



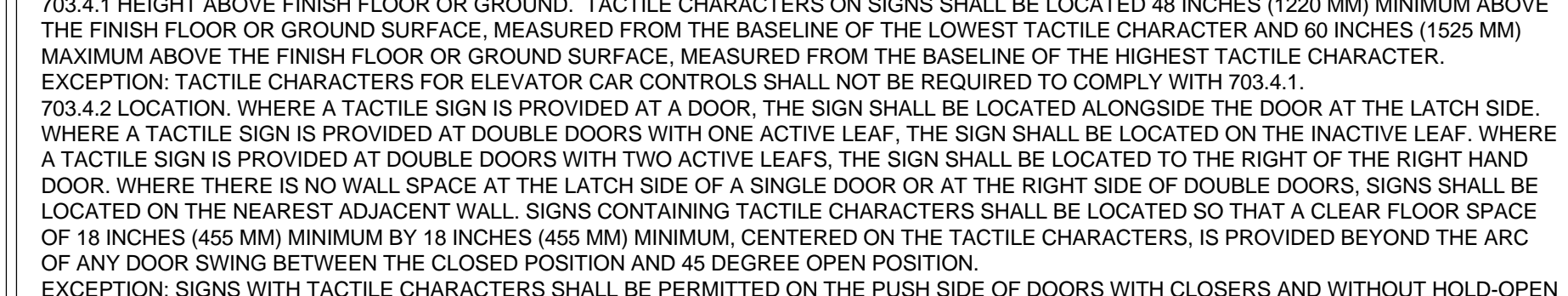
FRONT APPROACH, PULL SIDE



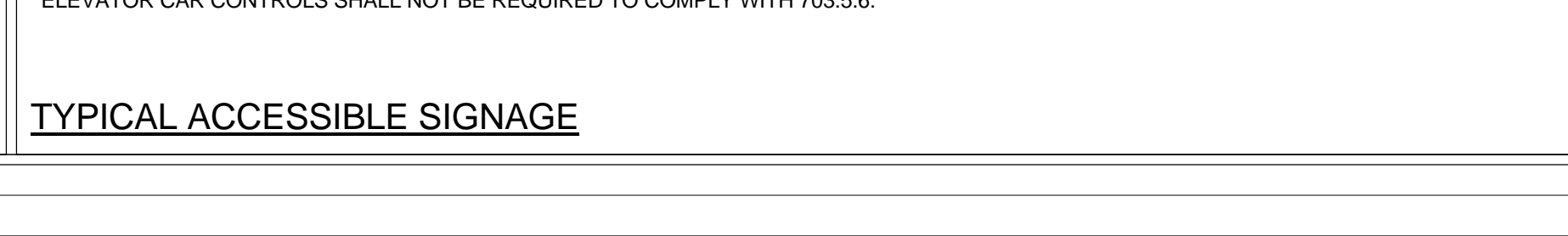
FRONT APPROACH, PUSH SIDE, DOOR PROVIDED WITH BOTH CLOSER AND LATCH



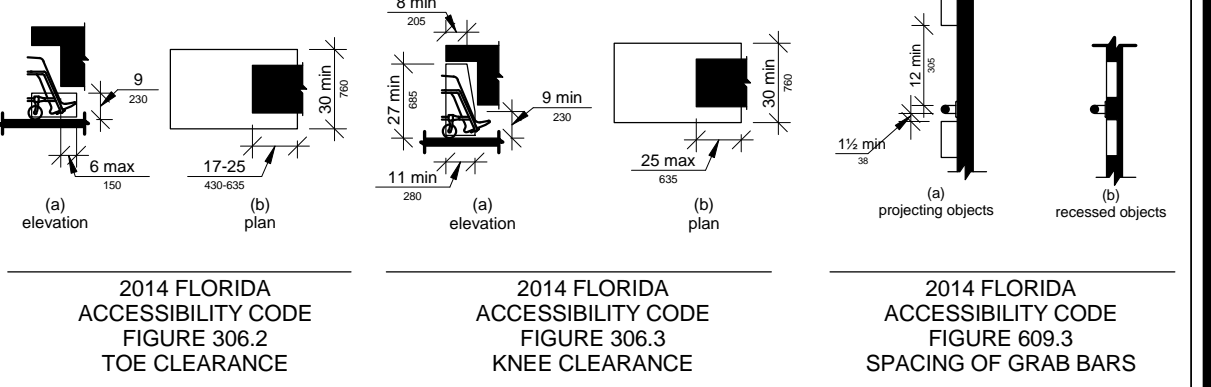
HINGE APPROACH, PULL SIDE



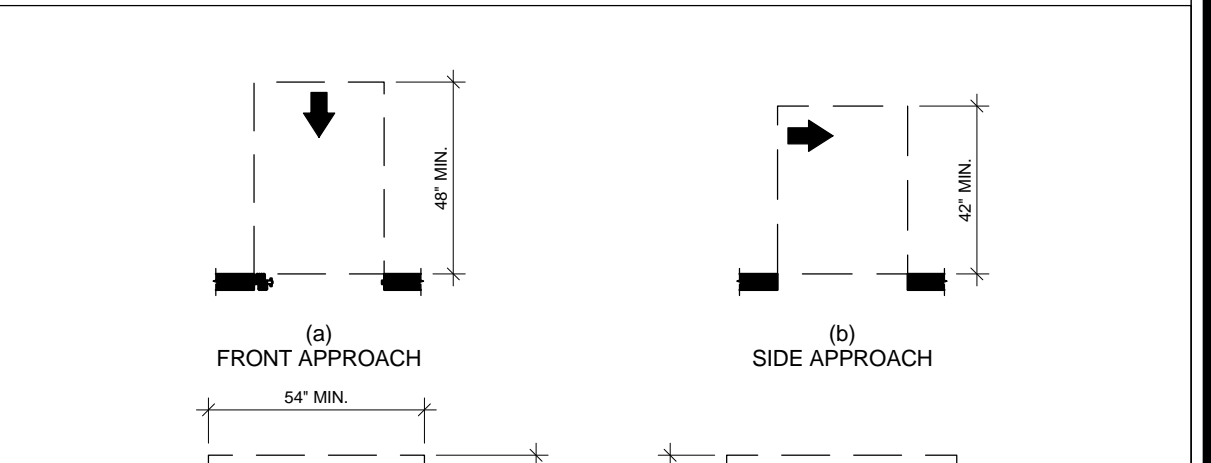
HINGE APPROACH, PUSH SIDE, DOOR PROVIDED WITH BOTH CLOSER AND LATCH



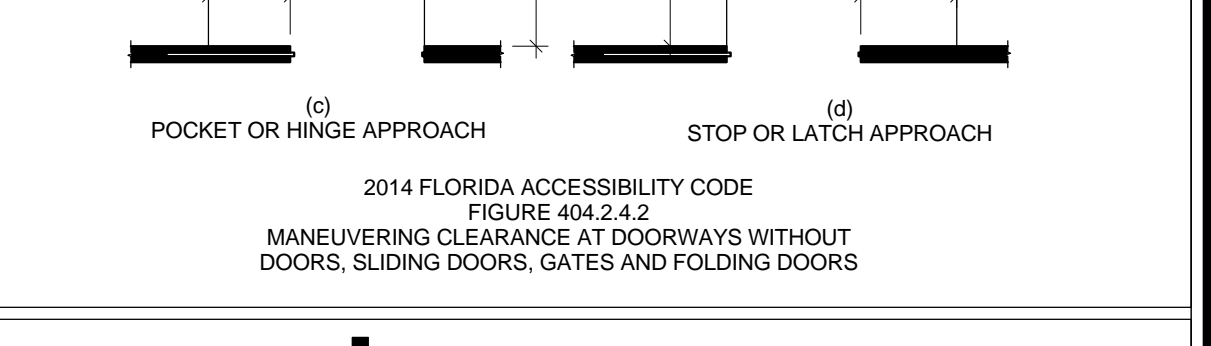
LATCH APPROACH, PULL SIDE



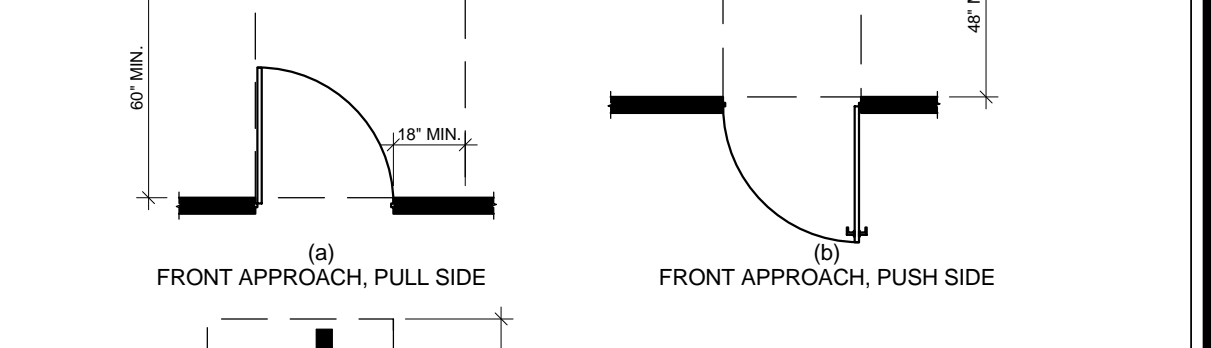
TOE, KNEE CLEARANCE AND GRAB BAR SPACING



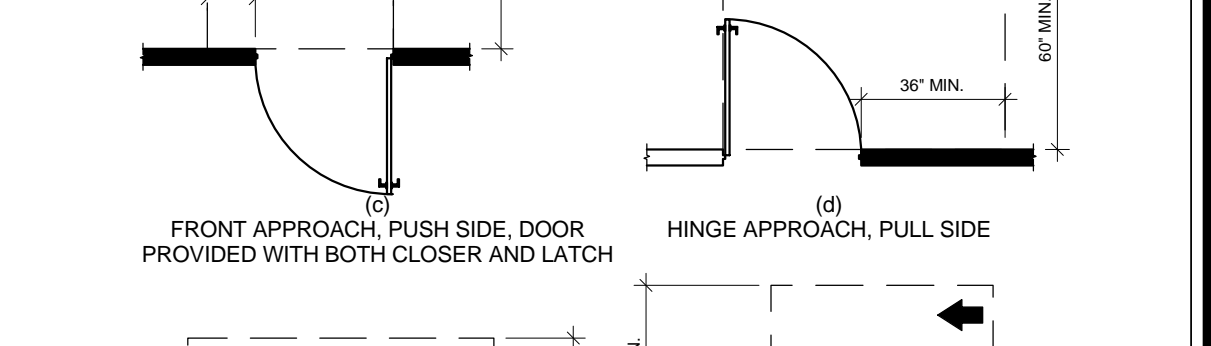
MANEUVERING CLEARANCE AT DOORWAYS WITHOUT DOORS, SLIDING DOORS, GATES AND FOLDING DOORS



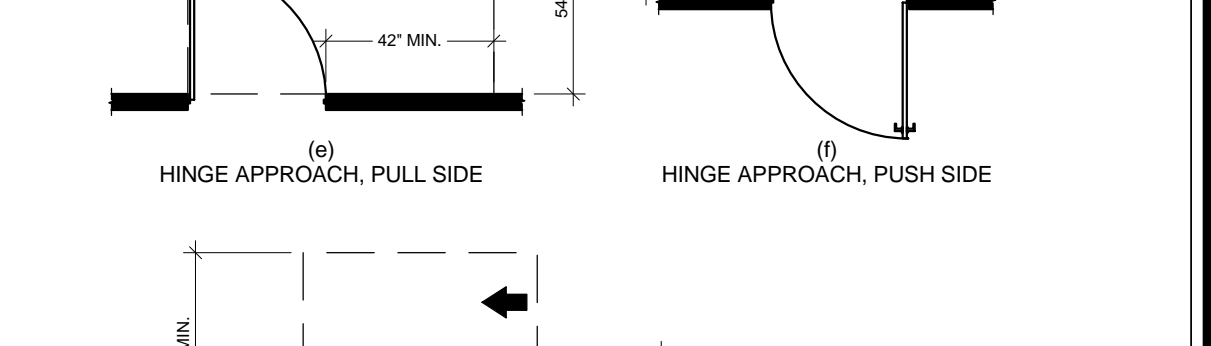
FRONT APPROACH, PULL SIDE



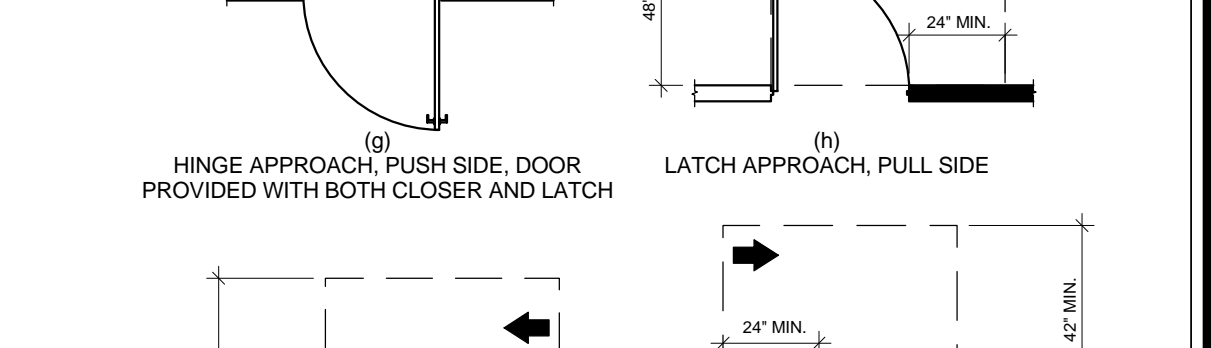
FRONT APPROACH, PUSH SIDE, DOOR PROVIDED WITH BOTH CLOSER AND LATCH



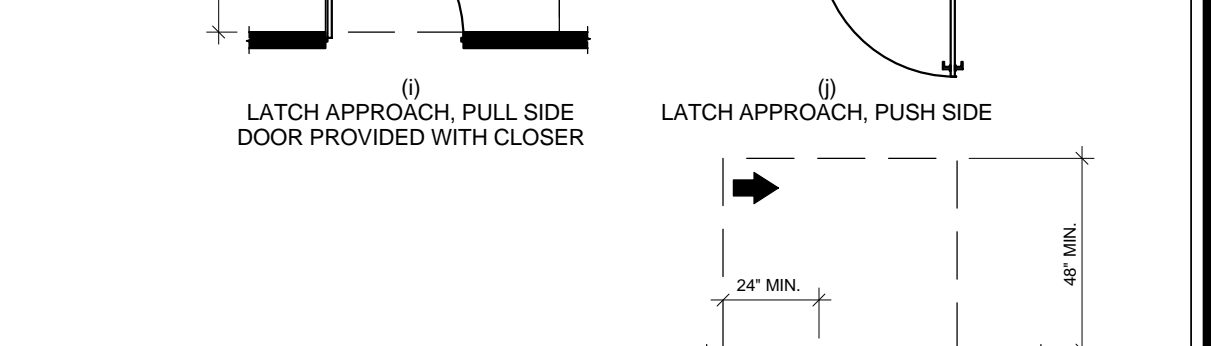
HINGE APPROACH, PULL SIDE



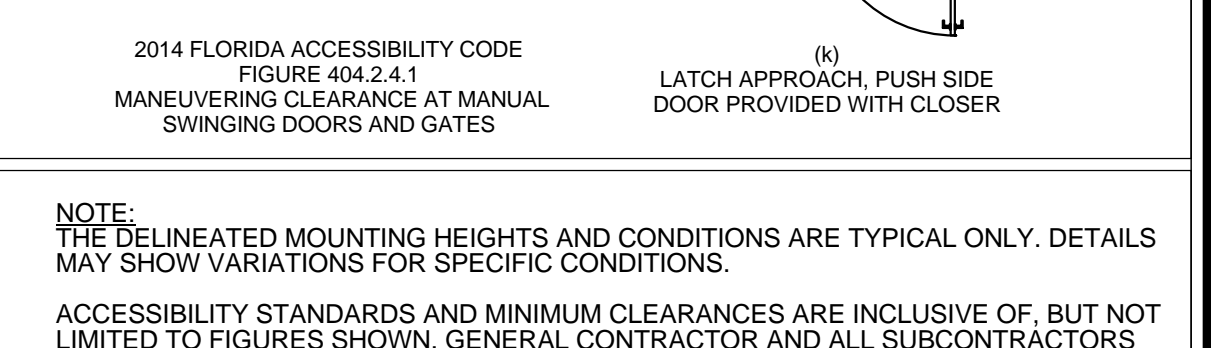
HINGE APPROACH, PUSH SIDE, DOOR PROVIDED WITH BOTH CLOSER AND LATCH



LATCH APPROACH, PULL SIDE



MANEUVERING CLEARANCE AT MANUAL SWINGING DOORS AND GATES



LATCH APPROACH, PUSH SIDE DOOR PROVIDED WITH CLOSER



RODOLFO ACEVEDO AIA
 JAMES R. WILLIAMS AIA
 SUITE 1114
 BOCA RATON, FLORIDA 33487
 TEL 561 997 1244
 FAX 561 997 1675
 JAMES R. WILLIAMS - AR0017581
 RODOLFO ACEVEDO - AR0016334

211 E OCEAN AVENUE
 BOYNTON BEACH, FL 33435

FLORIDA LICENSE:
 AA26002219

PROJECT NO: 15196
 DESIGNED BY: JW
 DRAWN BY: CE/RC/AC/MA
 CHECKED BY: JW/MA/CE

SUBMITTALS:
 PERMIT SET 11.23.2016

REVISIONS:

ACCESSIBILITY DETAILS

A05

© 2016 AW ARCHITECTS, INCORPORATED ALL RIGHTS RESERVED. NO PART OF THESE IDEAS, PLANS OR DESIGNS MAY BE REPRODUCED, COPIED OR UTILIZED GRAPHICALLY IN ANY FORM WHATSOEVER WITHOUT THE EXPRESSED WRITTEN CONSENT OF AW ARCHITECTS INCORPORATED AND ITS BOARD OF DIRECTORS.