

LCA AA 003432
 Architecture, Inc.
 1975 Sansbury's Way
 Suite 108
 West Palm Beach, FL 33411
 Phone: (561) 493-4787
 Fax: (561) 493-4786

REVISIONS / DATE

**Interior Improvement for
 Your Eye Specialists**
 550 Heritage Dr. Suite 105
 Jupiter, FL 33458

CEILING PLAN LEGEND

- UNDER CABINET TASK LIGHTING / COVE LIGHTING
- 2X4 FLUORESCENT FIXTURE
- ▨ 2X4 FLUORESCENT FIXTURE WITH EMERG. BATTERY BACKUP
- 2X2 FLUORESCENT FIXTURE
- HI-HAT FIXTURE
- WALL MOUNTED FIXTURE
- ⊗ 2'X2' AIR SUPPLY
- ⊘ 2'X2' AIR RETURN
- ⊗ EXHAUST FAN OR REGISTER
- ⊘ OTHER AIR SUPPLY
- ⊘ OTHER AIR RETURN OR EXHAUST
- ▧ 2'X4' ACOUSTICAL CEILING TILE AND GRID, TYP. U.O.N.
- ▩ 2'X2' ACOUSTICAL CEILING TILE AND GRID, TYP. U.O.N.
- ⊙ EXIT SIGN WITH EMERGENCY BACKUP
- ⊙ WALL MOUNTED EMERGENCY BATTERY PACK
- SPRINKLER HEAD
- ▨ 6 1/4" CERTAPRO ACOUSTATHERM INSULATION (UNFACED) ABOVE ENTIRE CEILING. HOLD INSULATION FROM NON-IC RATED LIGHT FIXTURES 4" MIN.

SEE ELECTRICAL DRAWINGS FOR LIGHT SPECIFICATIONS

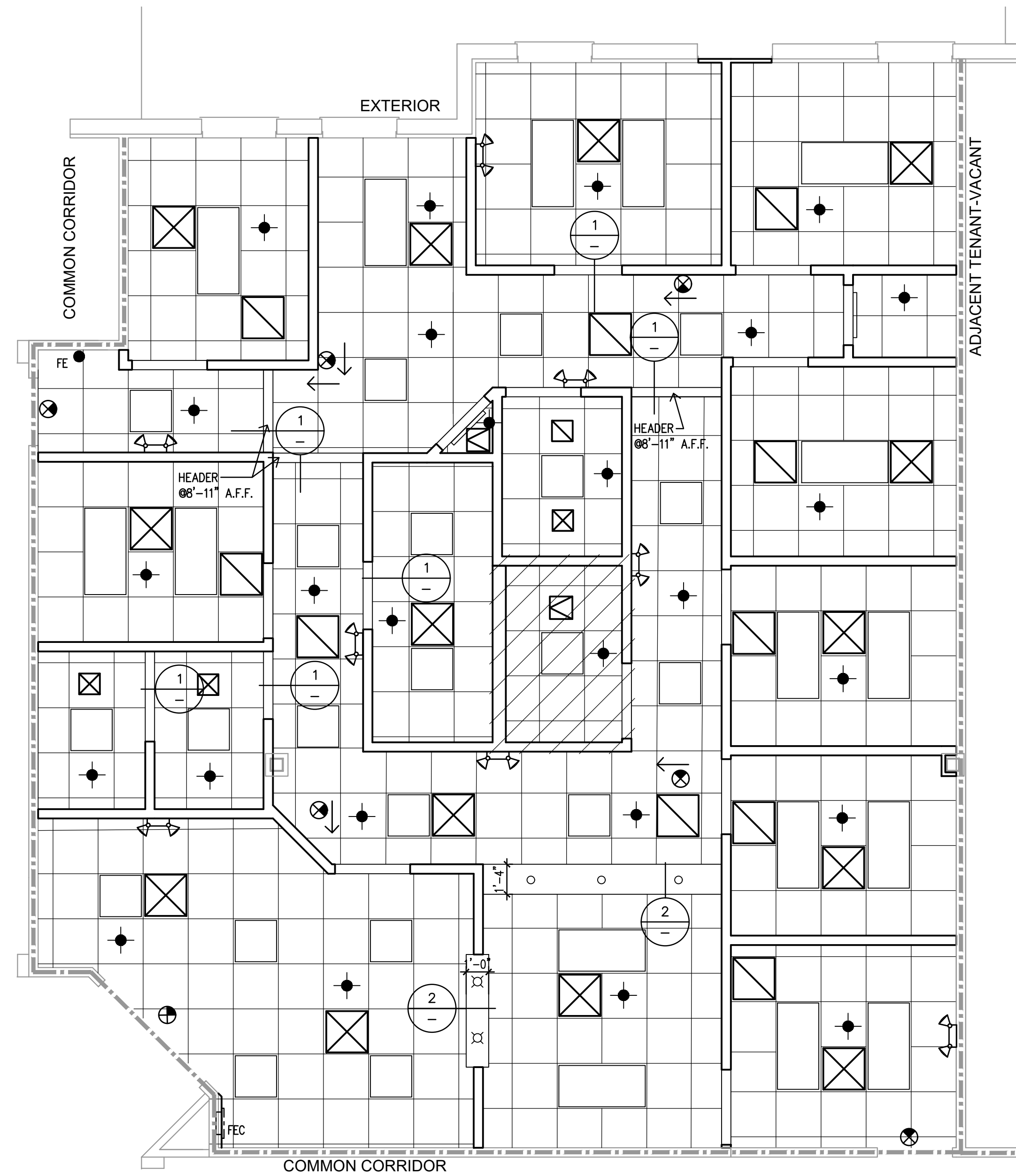
CEILING NOTES

- PRIOR TO BID, CONTRACTOR SHALL CHECK AND VERIFY ALL CEILING HEIGHTS AND SLAB HEIGHTS FOR CLEARANCES AND INSTALLATION METHODS. HEIGHTS AND LOCATIONS OF ALL DUCTWORK, DIFFUSER UNITS, CONDUIT, JUNCTION BOXES, AND OTHER CEILING INSTALLATION TO BE COORDINATED PRIOR TO INSTALLATION.
- CONTRACTOR SHALL NOTIFY ARCHITECT OF DISCREPANCIES AND CONFLICTS IN INTENT IN ACCOMPLISHING CEILING WORK PRIOR TO AWARDED CONTRACT OR SHALL BE ASSUMED THAT ALL NECESSARY WORK AND COSTS ARE INCLUDED.
- CONTRACTOR SHALL REVIEW DUCTWORK RUNS AND HEIGHTS AND COORDINATE AND ACCOMMODATE DESIRED DESIGN CRITERIA.
- SPEAKERS, EMERGENCY LIGHTS, AND DIFFUSERS TO BE LOCATED ON CENTERLINE OF CEILING TILE AND CENTERED OR EQUALLY SPACED BETWEEN SALES AREA LIGHT FIXTURES.
- ALL SWITCHES OUTLETS & ALL PLATES ARE TO BE WHITE. SWITCHES SHALL BE "DECORA" STYLE.
- CONTRACTOR SHALL CHECK AND VERIFY ALL CEILING PLENUM CONDITIONS FOR CLEARANCES OF DUCTWORK, SPRINKLER, LIGHT FIXTURES, ETC. BEFORE PROCEEDING WITH WORK AND WILL NOTIFY ARCHITECT OF ANY DISCREPANCIES.
- CEILINGS SHALL BE INSTALLED ACCORDING TO MANUFACTURERS DIRECTIONS AND STANDARD BUILDING PRACTICES.

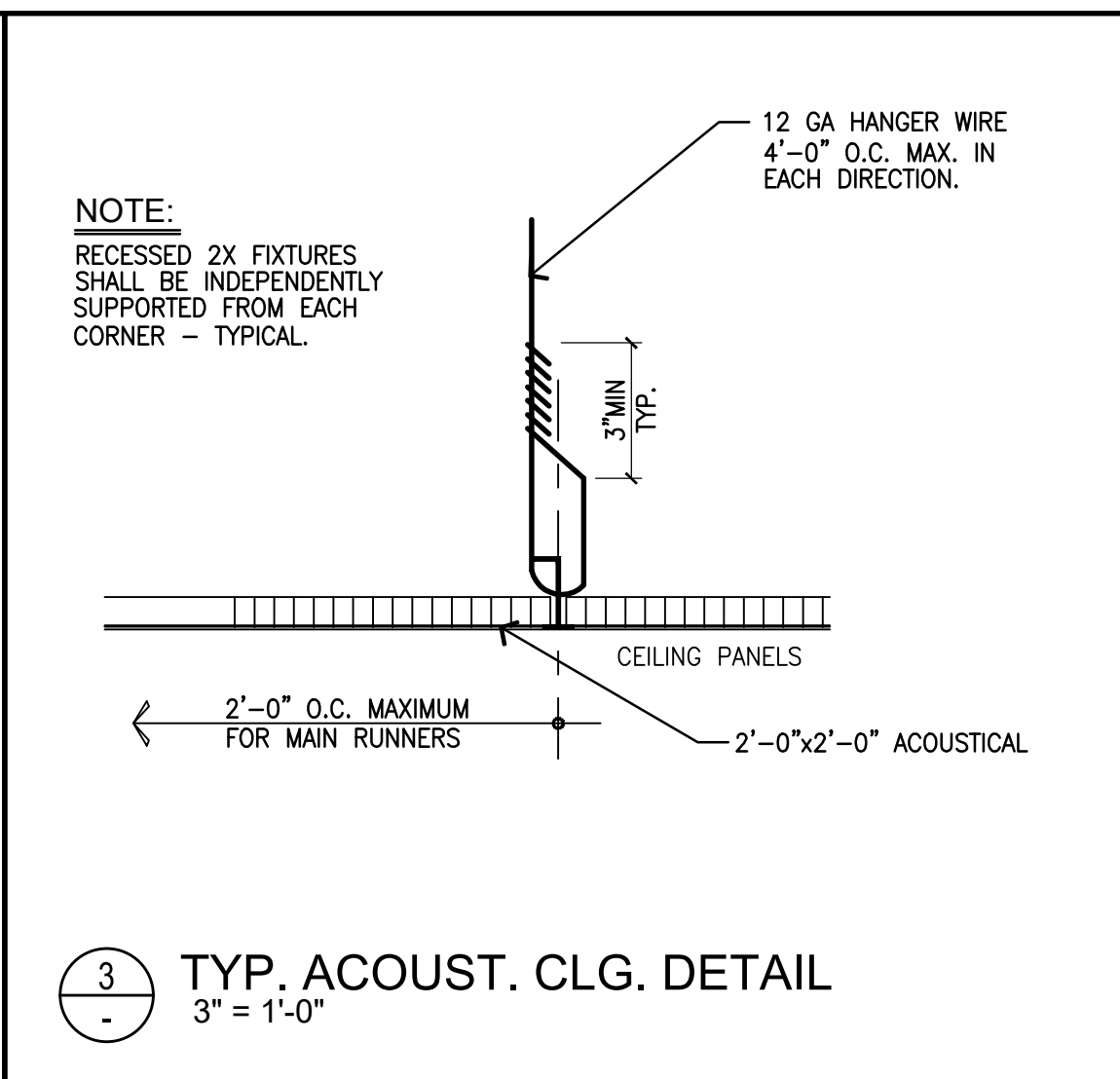
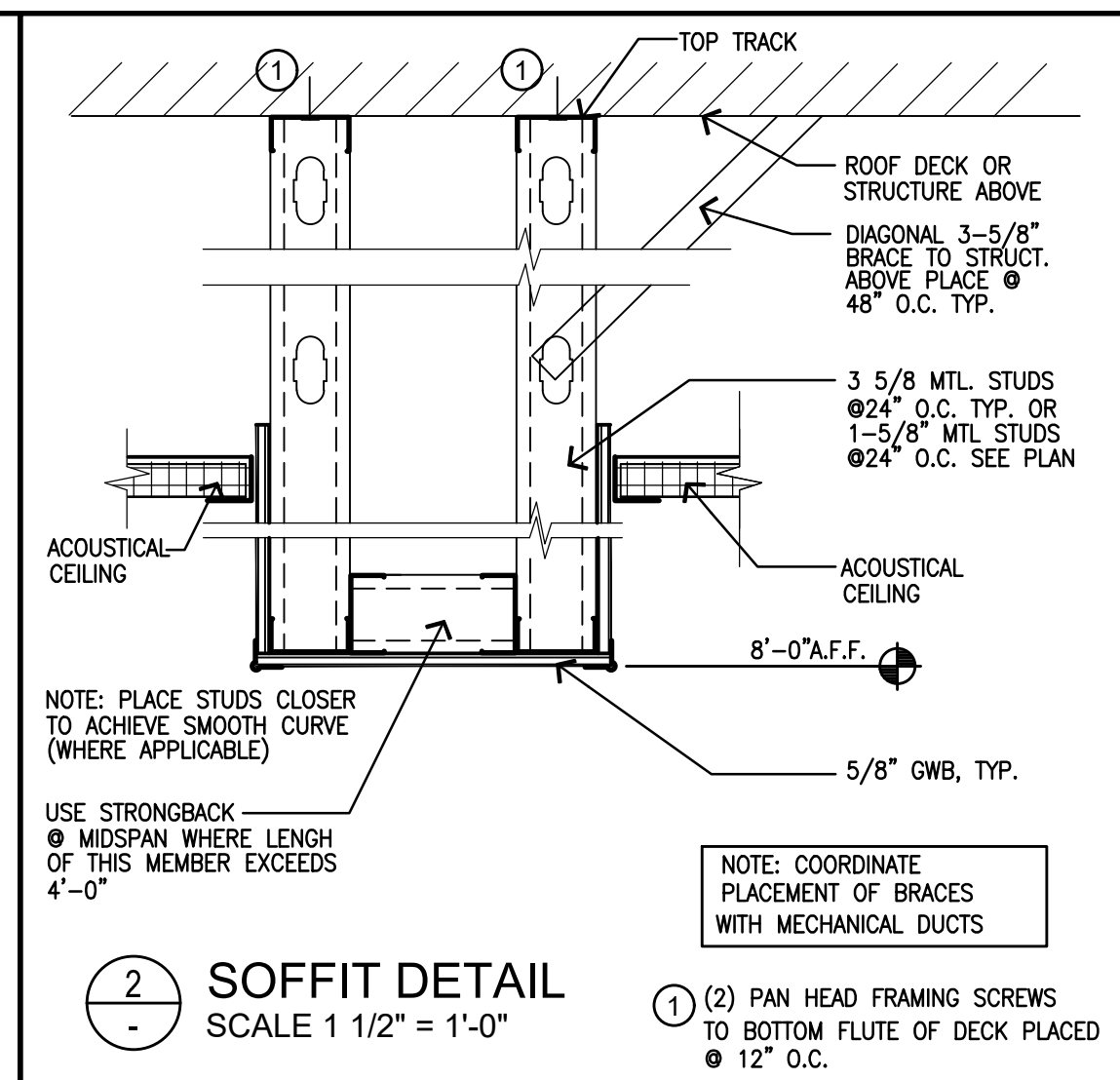
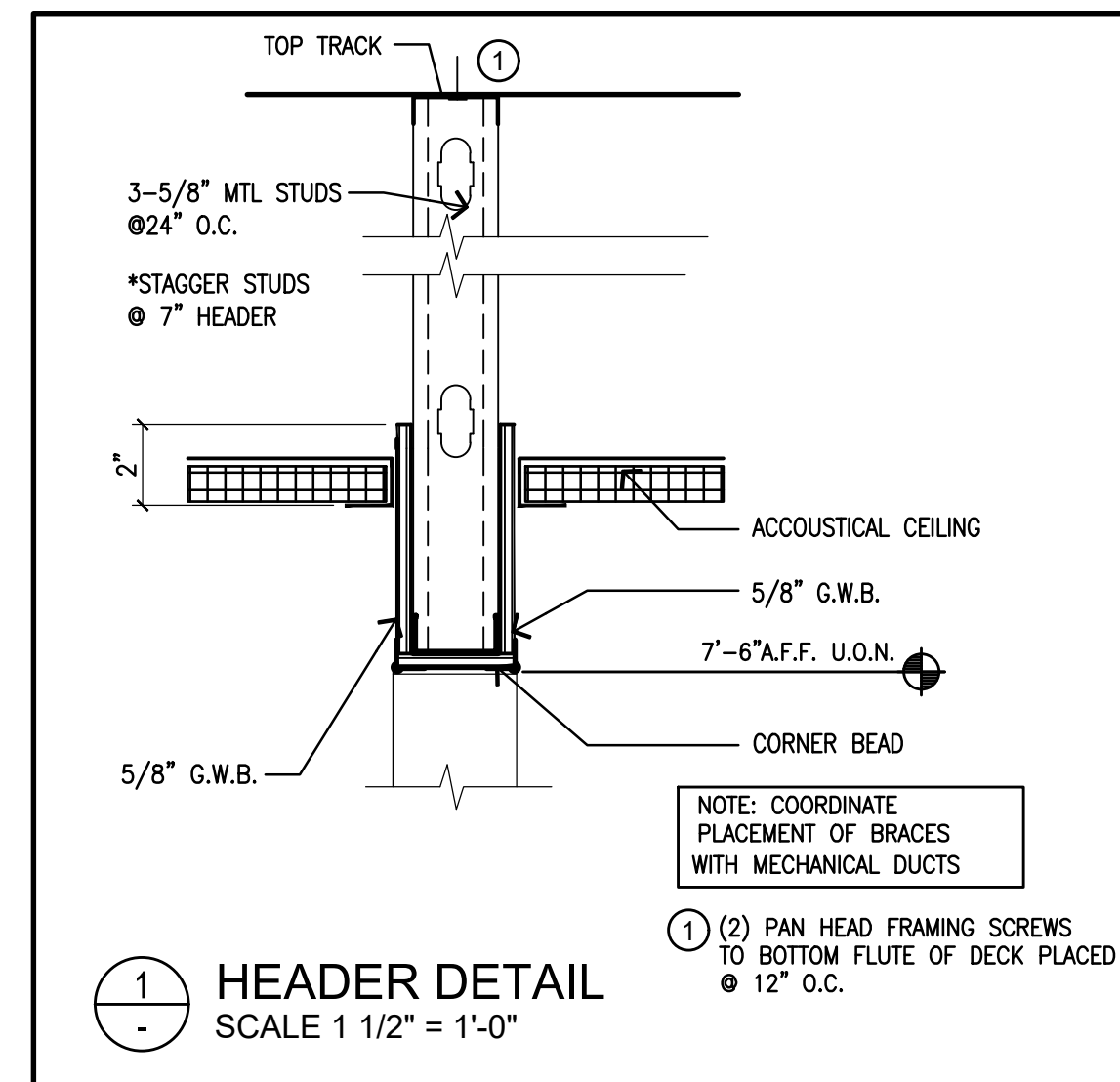
CEILING INSTALLATION SHALL COMPLY WITH FBC & ASTM

SPRINKLER NOTE: CONTRACTOR SHALL ADJUST/ ADD SPRINKLER HEADS AS REQUIRED TO OBTAIN PROPER COVERAGE. SPRINKLER HEADS SHALL BE RECESSED AND SHALL CONFORM TO BUILDING STANDARD.

SEE ELECTRICAL DRAWINGS FOR FIXTURES SCHEDULE



REFLECTED CEILING PLAN
 SCALE: 1/4"=1'-0"
 ALL CEILINGS @ 9'-0" U.O.N.



LESLEW A. CZACZYK AIA

AR 00015391

PROJ. NO. 16176
 DESIGNED BY LAC
 DRAWN BY LAC
 DATE 11/30/16
 SCALE AS SHOWN

REFLECTED CEILING PLAN NOTES DETAILS