

ROOM FINISH SCHEDULE										
Number	ROOM NAME	FLOOR	BASE		WALLS			CEILING		NOTES
			MATERIAL	N	S	E	W	MATL		
101	WAITING	VWP	VINYL	PAINT #2	PAINT #1	PAINT #2	PAINT #1	ACC-1	---	
102	VISUAL	VWP	VINYL	PAINT #1	PAINT #1	PAINT #1	PAINT #2	ACC-1	---	
103	TOPD	VWP	VINYL	PAINT #1	PAINT #1	PAINT #1	PAINT #1	ACC-1	---	
104	WORK-UP	VWP	VINYL	PAINT #1	PAINT #2	PAINT #1	PAINT #1	ACC-1	---	
105	WORK-UP	VWP	VINYL	PAINT #1	PAINT #1	PAINT #1	PAINT #2	ACC-1	---	
106	TECH	VWP	VINYL	PAINT #2	PAINT #1	PAINT #1	PAINT #2	ACC-1	---	
107	SUBWAIT	VWP	VINYL	PAINT #2	PAINT #1	PAINT #1	PAINT #2	ACC-1	---	
108	OFFICE	VWP	VINYL	PAINT #1	PAINT #1	PAINT #1	PAINT #1	ACC-1	---	
109	OFFICE	VWP	VINYL	PAINT #1	PAINT #1	PAINT #1	PAINT #1	ACC-1	---	
110	EXAM	VWP	VINYL	PAINT #2	PAINT #1	PAINT #1	PAINT #1	ACC-1	---	
111	EXAM	VWP	VINYL	PAINT #2	PAINT #1	PAINT #1	PAINT #1	ACC-1	---	
112	BREAK	VWP	VINYL	PAINT #1	PAINT #2	PAINT #1	PAINT #1	ACC-1	---	
113	BUSINESS	VWP	VINYL	PAINT #1	PAINT #2	PAINT #1	PAINT #1	ACC-1	---	
114	RESTR	VWP	PT	PAINT #3	PAINT #3	PAINT #3	PT/PAIN #3	ACC-1	---	
115	LASER PHOTO	VWP	VINYL	PAINT #1	PAINT #1	PAINT #1	PAINT #1	ACC-1	---	
116	TEST	VWP	VINYL	PAINT #1	PAINT #1	PAINT #2	PAINT #1	ACC-1	---	
117	DATA	VWP	VINYL	PAINT #1	PAINT #1	PAINT #1	PAINT #1	ACC-1	---	
118	HALL	VWP	VINYL	PAINT #1	PAINT #1	PAINT #1	PAINT #1	ACC-1	---	
119	HALL	VWP	VINYL	PAINT #1	PAINT #1	PAINT #1	PAINT #1	ACC-1	---	
120	STOR.	VWP	VINYL	PAINT #1	PAINT #1	PAINT #1	PAINT #1	ACC-1	---	

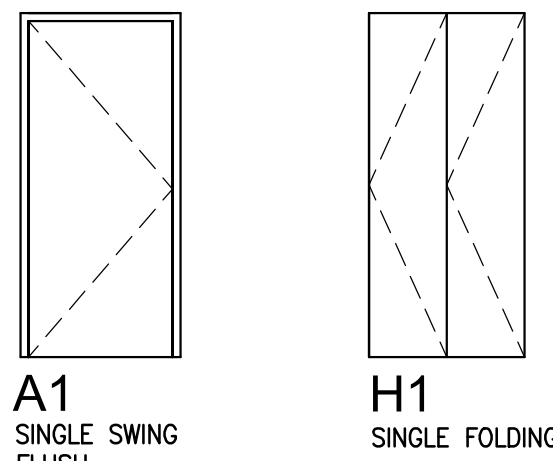
FINISH NOTES		PROVIDE SAMPLES FOR APPROVAL
ACC-1:	ACOUSTICAL CEILING: 2X2 TEGULAR ARMSTRONG "DUNE" AND 15/16" GRID OR EQUAL.	
VWP :	VINYL WOOD PLANK - SHAW HARD SURFACE, UNCOMMON GROUND COLLECTION, 02150 DRIFTWOOD, SIZE 6" X 36"	
VINYL:	4" VINYL WALL BASE. JOHNSONITE TRADITIONAL WALLBASE COLOR: #20 CHARCOAL	
VINYL #2:	6" VINYL WALL BASE. JOHNSONITE MILLWORK WALLBASE STYLE: REVEAL COLOR: #20 CHARCOAL (PROVIDE AS ALTERNATE FOR WAITING #101 ONLY)	
PT:	PORCELAIN TILE: DALITILE "FABRIQUE" FLOORS: 12X24 COLOR: NOIR LINEN P689 GROUT: LATICRETE #45 RAVEN WET WALL TO 5'-0": 12X24 COLOR: BLANC LINEN P686 (GROUT: LATICRETE #44 BRIGHT WHITE) WITH LISTELLO: DALITILE "STONE RADIANCE" 5/8" RANDOM SWATCH COLOR: SA51 WHISPER BLEND USE 6x24 ABOVE LISTELLO AND AS BASE. SEE ELEVATION ON A.5	
LAMINATE :	COUNTERTOPS - WILSONART SKYLINE WALNUT 7964K-38 FINE VELVET TEXTURE BASE & UPPERS - WILSONART STANDARD LAMINATE LINEN #D427-01 GLOSS FINISH	
PAINT :	PAINT - LATEX, PRIMER & 2 COATS, SHERWIN-WILLIAMS-COLOR #1 SW 7028 INCREDIBLE WHITE, SATIN -COLOR #2 SW 6255 MORNING FOG, SATIN -COLOR #3 SW 7008 ALABASTER, SATIN  -ALL GWB SOFFITS TO BE PAINTED SHERWIN WILLIAMS SW7005 PURE WHITE, U.N.O. -INTERIOR SUITE DOOR FRAMES PAINTED TO MATCH VINYL BASE	
GRANITE :	DALITILE, KEYGRANITE - BLUE PEARL	
CHAIR RAIL:	2 5/8" PAINT GRADE WOOD MOLDING, WM390. HEIGHT TO BE COORDINATED WITH FURNITURE COLOR #2 SW 6255 MORNING FOG SEMI GLOSS	
BLINDS :	VINYL BLINDS - BUILDING STANDARD 2" HORIZONTAL BLINDS COLOR: WHITE	

FINISH REQUIREMENTS

ALL WALL AND CEILING FINISHES IN PASSAGEWAYS SHALL CONFORM TO CLASS B REQUIREMENTS OF FBC.  
ALL WALL AND CEILING FINISHES IN ROOMS AND ENCLOSED SPACES SHALL CONFORM TO CLASS C REQUIREMENTS OF FBC.  
ALL FLOORS FINISHES SHALL CONFORM TO CLASS II REQUIREMENTS OF FBC.

DOOR AND FRAME SCHEDULE												
MARK	STYLE	DOOR SIZE			MATERIAL	FINISH	FRAME		FIRE RATING LABEL	HARDW.		NOTES
		WD	HGT	THK			MATERIAL	FINISH		SET	KEY	
101	A1	3'-0"	7'-0"	1 3/4"	WOOD	STAIN	METAL	PAINT	NONE	PASSAGE	NO	---
104	A1	3'-0"	7'-0"	1 3/4"	WOOD	STAIN	METAL	PAINT	NONE	PASSAGE	NO	---
105	A1	3'-0"	7'-0"	1 3/4"	WOOD	STAIN	METAL	PAINT	NONE	PASSAGE	NO	---
108	A1	3'-0"	7'-0"	1 3/4"	WOOD	STAIN	METAL	PAINT	NONE	OFFICE	YES	---
109	A1	3'-0"	7'-0"	1 3/4"	WOOD	STAIN	METAL	PAINT	NONE	OFFICE	YES	---
110	A1	3'-0"	7'-0"	1 3/4"	WOOD	STAIN	METAL	PAINT	NONE	PASSAGE	NO	---
111	A1	3'-0"	7'-0"	1 3/4"	WOOD	STAIN	METAL	PAINT	NONE	PASSAGE	NO	---
112	A1	3'-0"	7'-0"	1 3/4"	WOOD	STAIN	METAL	PAINT	20 MIN.	ENTRY, DEADBOLT	YES	NOTE A
113	A1	3'-0"	7'-0"	1 3/4"	WOOD	STAIN	METAL	PAINT	NONE	PASSAGE	NO	---
114	A1	3'-0"	7'-0"	1 3/4"	WOOD	STAIN	METAL	PAINT	NONE	PRIVACY	NO	CLOSER
115	A1	3'-0"	7'-0"	1 3/4"	WOOD	STAIN	METAL	PAINT	NONE	PASSAGE	NO	---
117	A1	2'-8"	7'-0"	1 3/4"	WOOD	STAIN	METAL	PAINT	NONE	CLOSET	YES	---
120	H1	2'-8"	7'-0"	1 3/4"	WOOD	STAIN	TRACK	---	NONE	PULLS	NO	---

DOOR TYPES



GENERAL DOOR NOTES

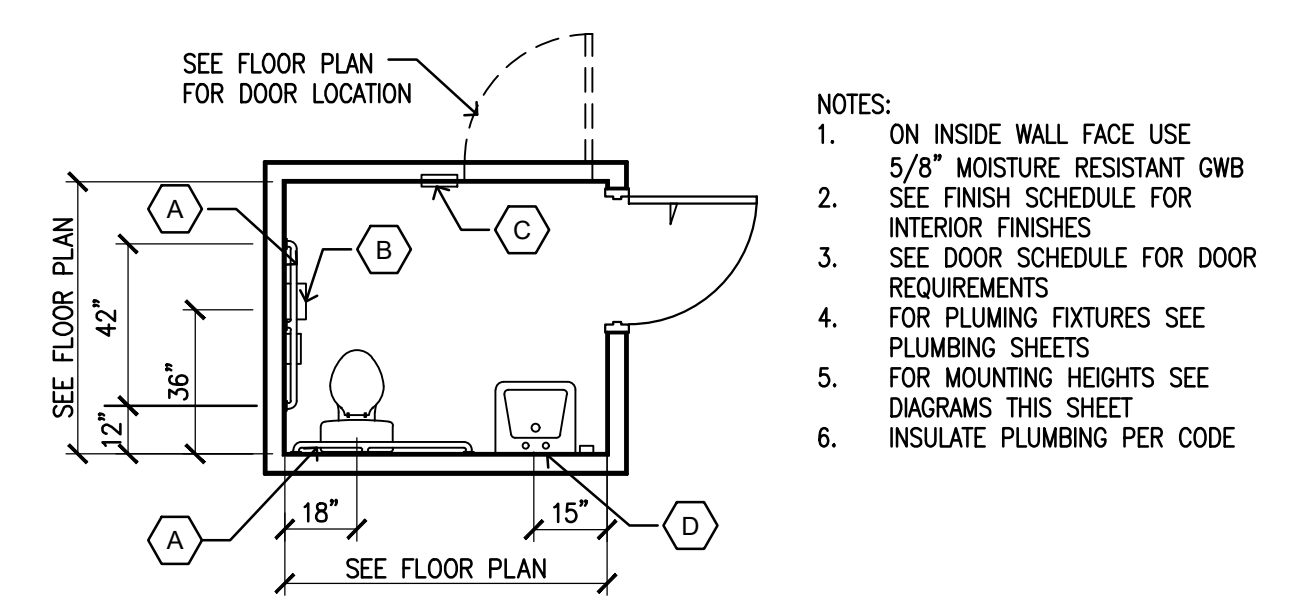
- ALL DOORS TO HAVE WALL MOUNTED OR FLOOR MOUNTED DOORSTOP AS APPLICABLE.
- ALL METAL FRAME DOORS TO HAVE SILENCERS
- ALL DOOR HARDWARE TO COMPLY WITH NFPA 101 AND FBC, AND SHALL NOT REQUIRE KEY OPERATION IN DIRECTION OF EXIT.
- VERIFY KEYING SCHEDULE WITH CLIENT
- ALL DOOR HARDWARE SHALL BE ACCESSIBLE PER ADA AND FBC-ACCESSIBILITY.
- NO THRU-BOLTS FOR CLOSERS. DOORS TO BE ORDERED WITH SOLID STILE
- SUGGESTED HARDWARE: SCHLAGE "AL" SERIES, VERIFY STYLE WITH TENANT PRIOR TO ORDERING
- CONTRACTOR TO RE-USE EXIST. DOORS WHERE FEASIBLE. EXIST. DOORS MUST BE SANDED & PAINTED. WOOD FRAMES TO HAVE TRADITIONAL CASING.
- 7'-0" TALL DOORS SHALL HAVE 3 HINGES. 8'-0" H DOORS SHALL HAVE 4 HINGES.
- DOORS SHALL COMPLY WITH FBC OPENING FORCE.
- ALL DIMENSIONS ARE NOMINAL. CONTRACTOR SHALL COORDINATE SIZE OF ROUGH OPENINGS.
- ALL EXTERIOR DOOR & STOREFRONT SYSTEMS TO BE IMPACT RESISTANT U.N.O.
- ALL FIRE RATED DOORS SHALL HAVE CLOSERS & FIRE RATED HARDWARE. DOOR CLOSERS AT RESTROOMS AND DOOR FROM WAITING TO BACK OFFICE.
- CONTRACTOR SHALL OBTAIN FROM RESPECTIVE SUPPLIERS EXACT ROUGH OPENING SIZES FOR DOORS AND GLAZING AND ESTABLISH PROPER ROUGH OPENING SIZES.
- DOORS BY MARSHFIELD. NEW CORRIDOR DOOR TO MATCH EXIST. NEW SUITE DOORS: ROTARY WHITE BIRCH WITH CLEAR FINISH (NO STAIN)

DOOR SCHEDULE NOTES:

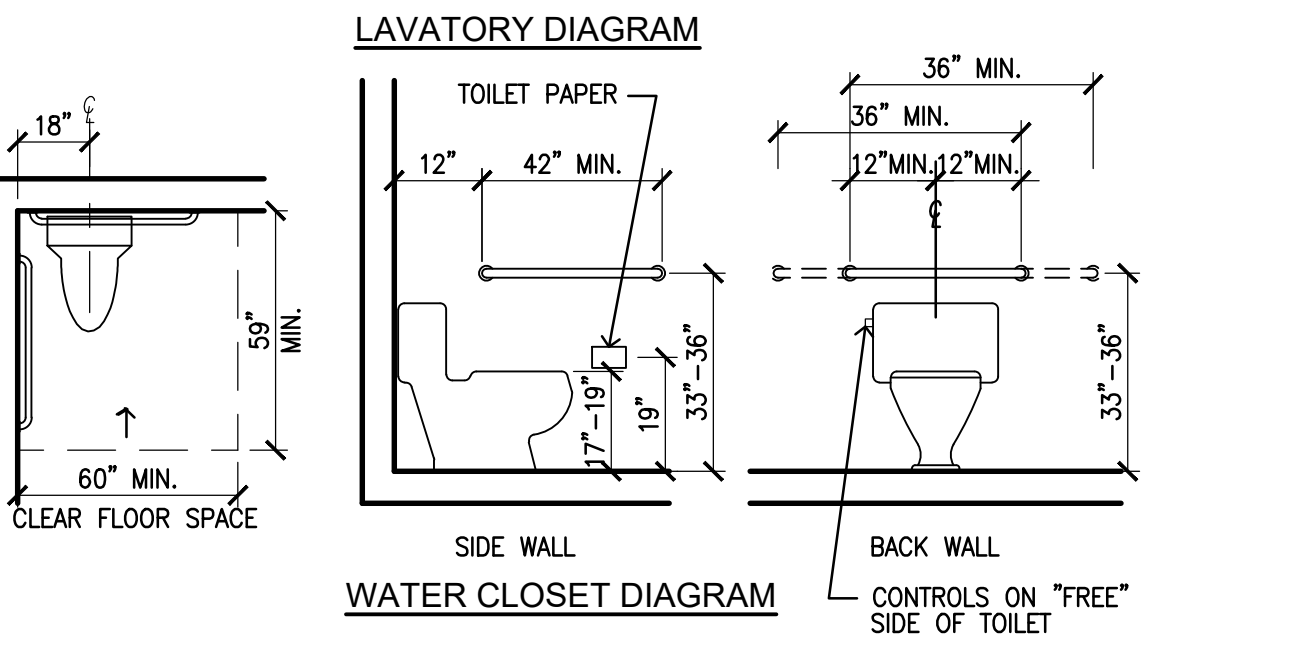
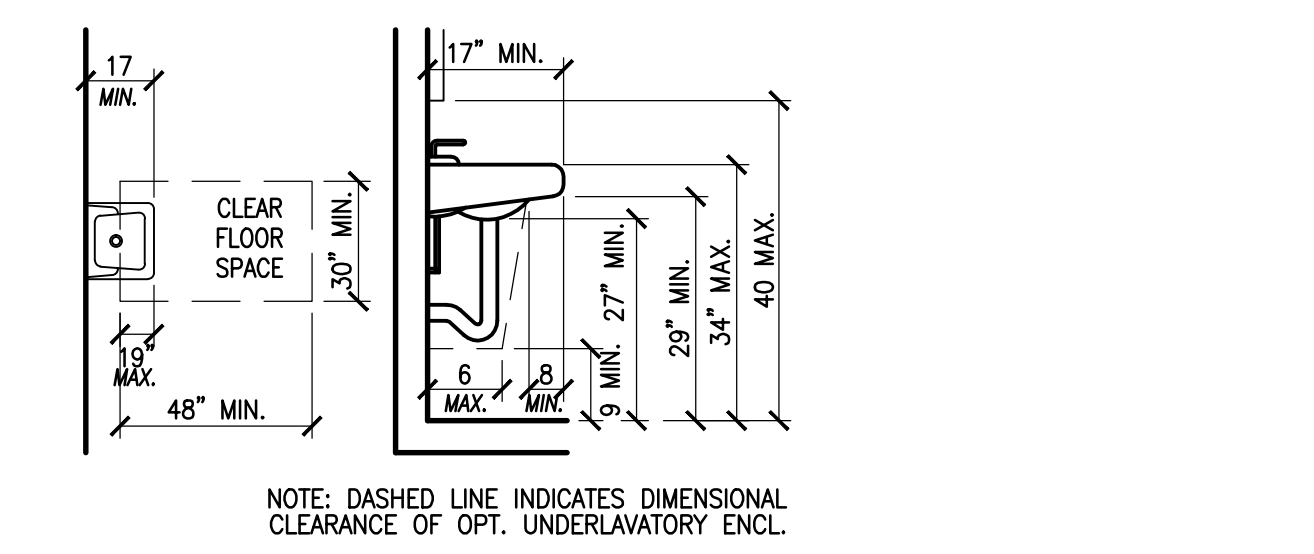
NOTE A: STRICTLY PER BUILDING STANDARD DOOR, FRAME, HARDWARE & CLOSER.

RESTROOM ACCESSORY SCHEDULE			
	DESCRIPTION	MANUFACTURER & #	REMARKS
A	GRAB BARS	BOBRICK B-5806 36/42	PEENED GRIP & POLISHED ENDS
B	TOILET PAPER DISPENSER	BOBRICK B-2740	SURF. MTD. DBL. ROLL SATIN FM.
C	PAPER TOWEL DISPENSER	BOBRICK B-35903	RECESSED MULTI-FOLD VERIFY LOCATION WITH OWNER
D	MIRROR		GLASS MIRROR 30" W X 48" H

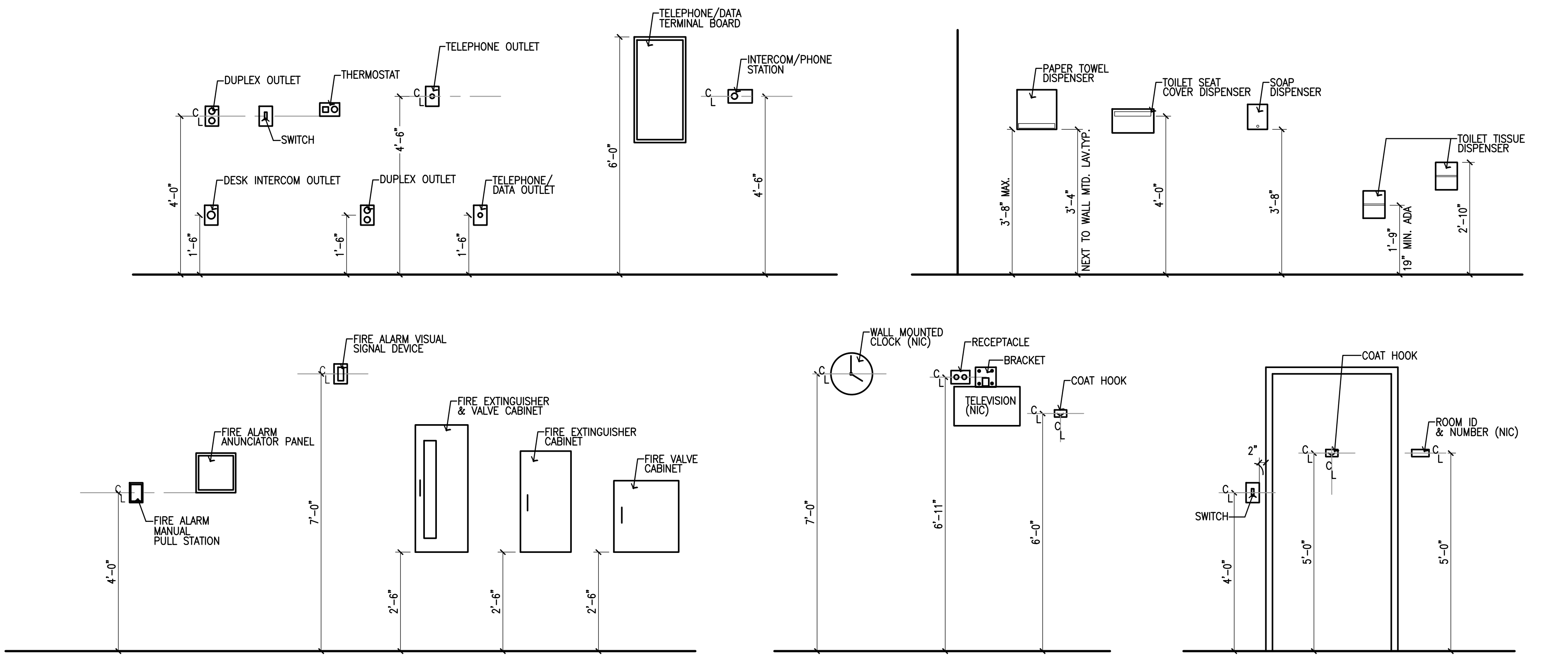
PROVIDE BLOCKING FOR ALL WALL MOUNTED FIXTURES AND ACCESSORIES.  
CONTRACTOR TO SUBMIT SPEC SHEET FOR REVIEW BY OWNER PRIOR PURCHASE, TYPICAL.  
PROVIDE SIGNAGE AT DOORS TO COMPLY W/ ALL A.D.A. REQUIREMENTS.  
ALL INSTALLATIONS MUST COMPLY WITH STATE OF FLORIDA ACCESSIBILITY CODE FOR BUILDING CONSTRUCTION & A.D.A. PROVIDE SIGNAGE AT DOORS TO COMPLY W. ALL ADA REQUIREMENTS.



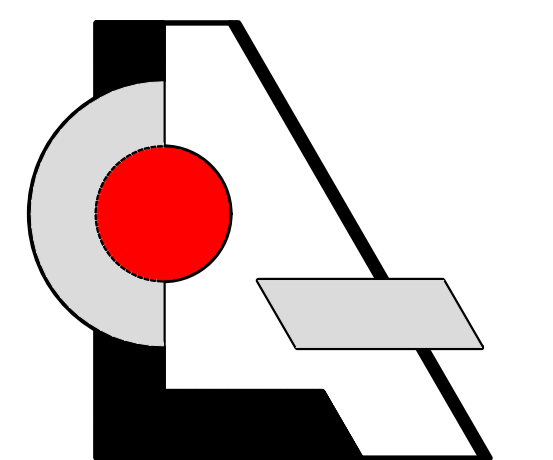
TYP. RESTROOM DIAGRAM  
SCALE: 1/4"=1'-0"



TYP. SPECIALTY MOUNTING DIAG.  
SCALE: N.T.S.



TYP. MOUNTING DIAGRAMS  
SCALE: N.T.S.



LCA AA 003432  
Architecture, Inc.  
1975 Sansbury's Way  
Suite 108  
West Palm Beach, FL 33411  
Phone: (561) 493-4787  
Fax: (561) 493-4786

REVISIONS / DATE

Interior Improvement for  
Your Eye Specialists  
550 Heritage Dr., Suite 105  
Jupiter, FL 33458

LESLEW A. CZACZYK AIA  
AR 00015391

PROJ. NO. 16176  
DESIGNED BY LAC  
DRAWN BY LAC  
DATE 11/30/16  
SCALE AS SHOWN

SCHEDULES  
ELEVATIONS