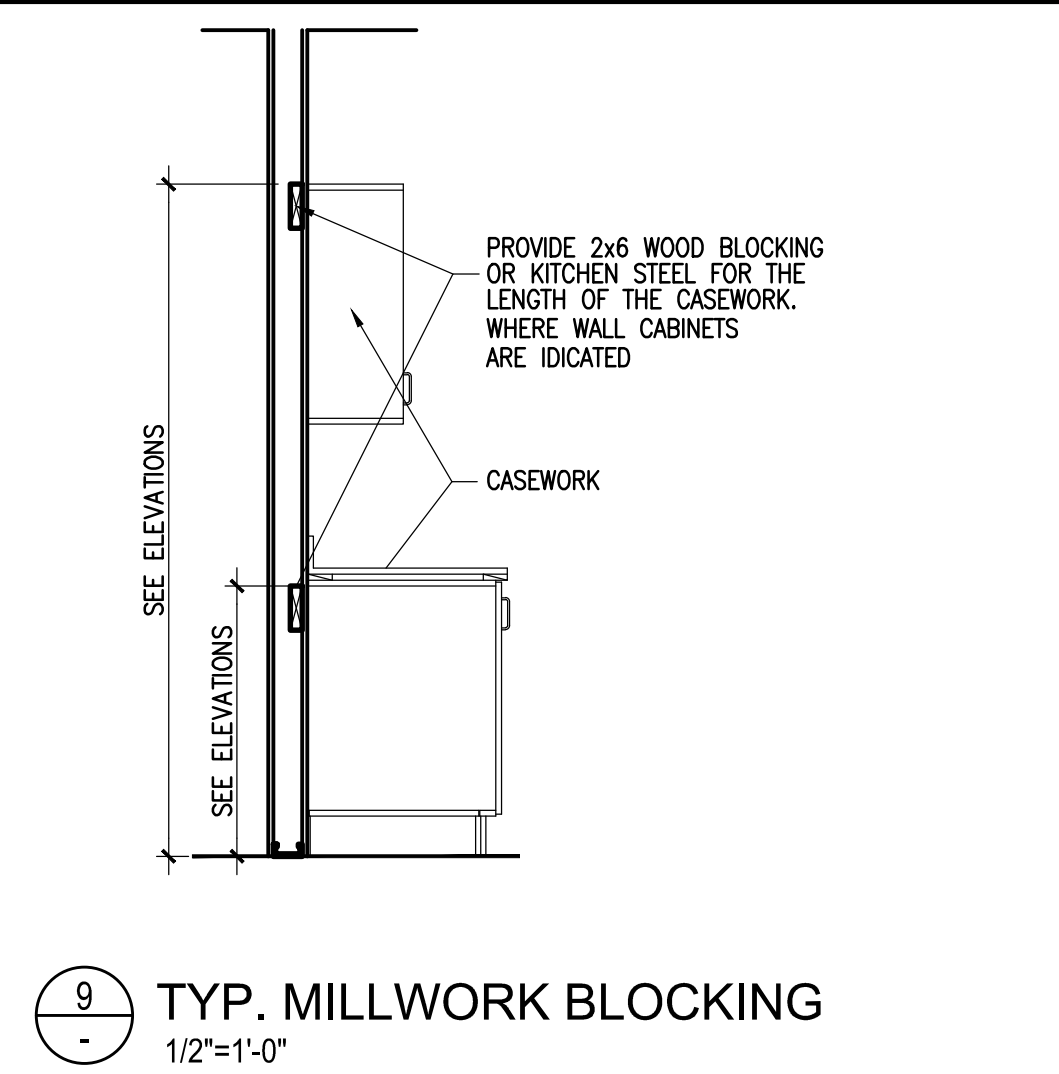
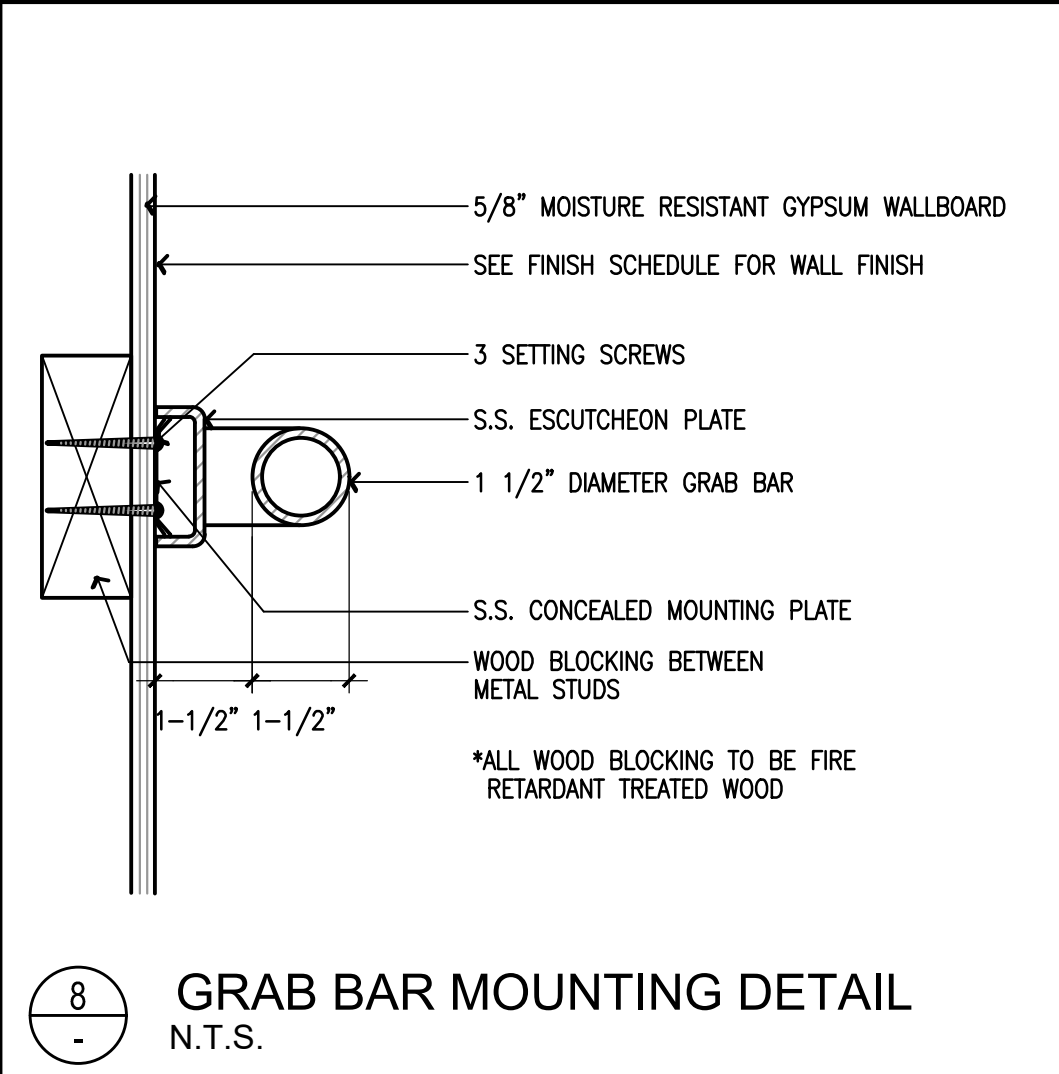
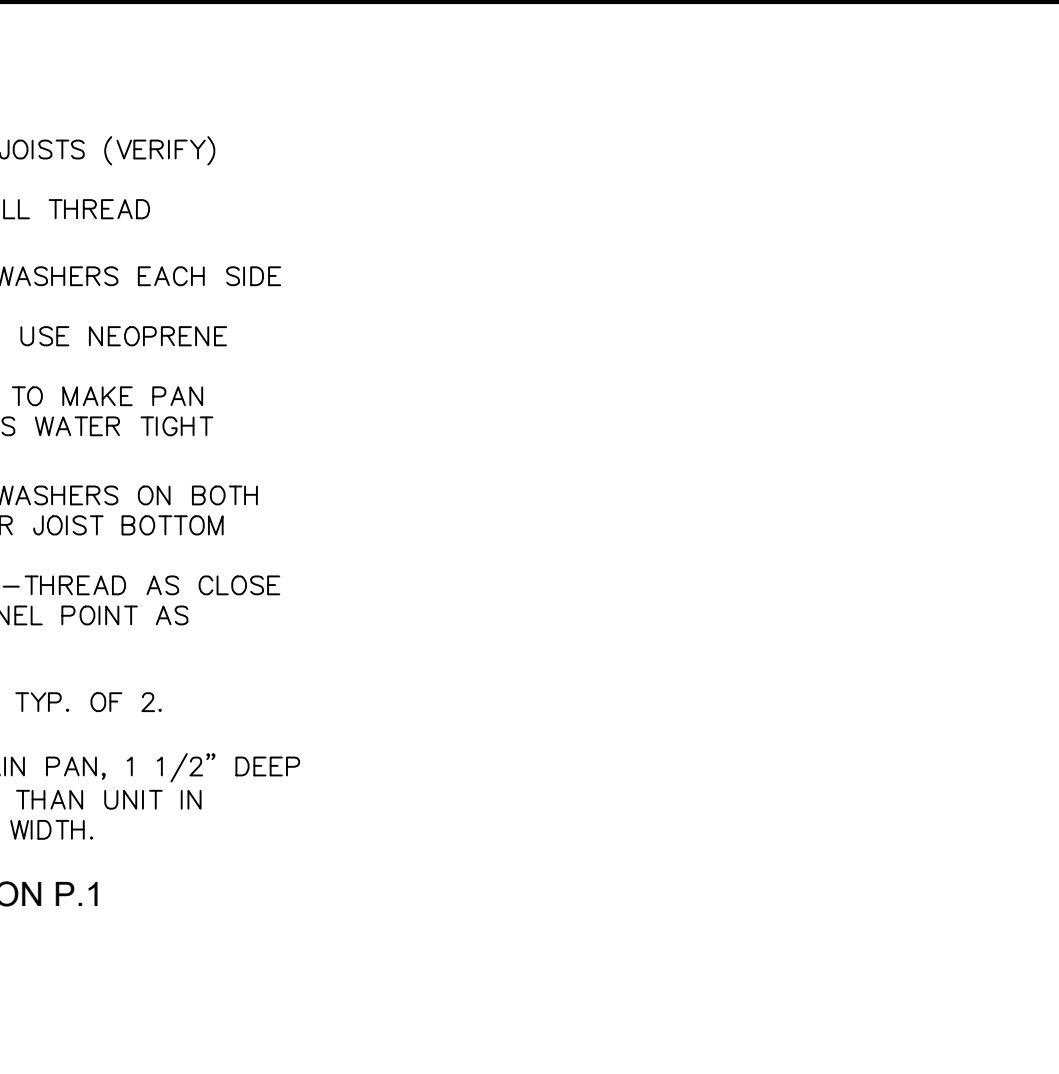
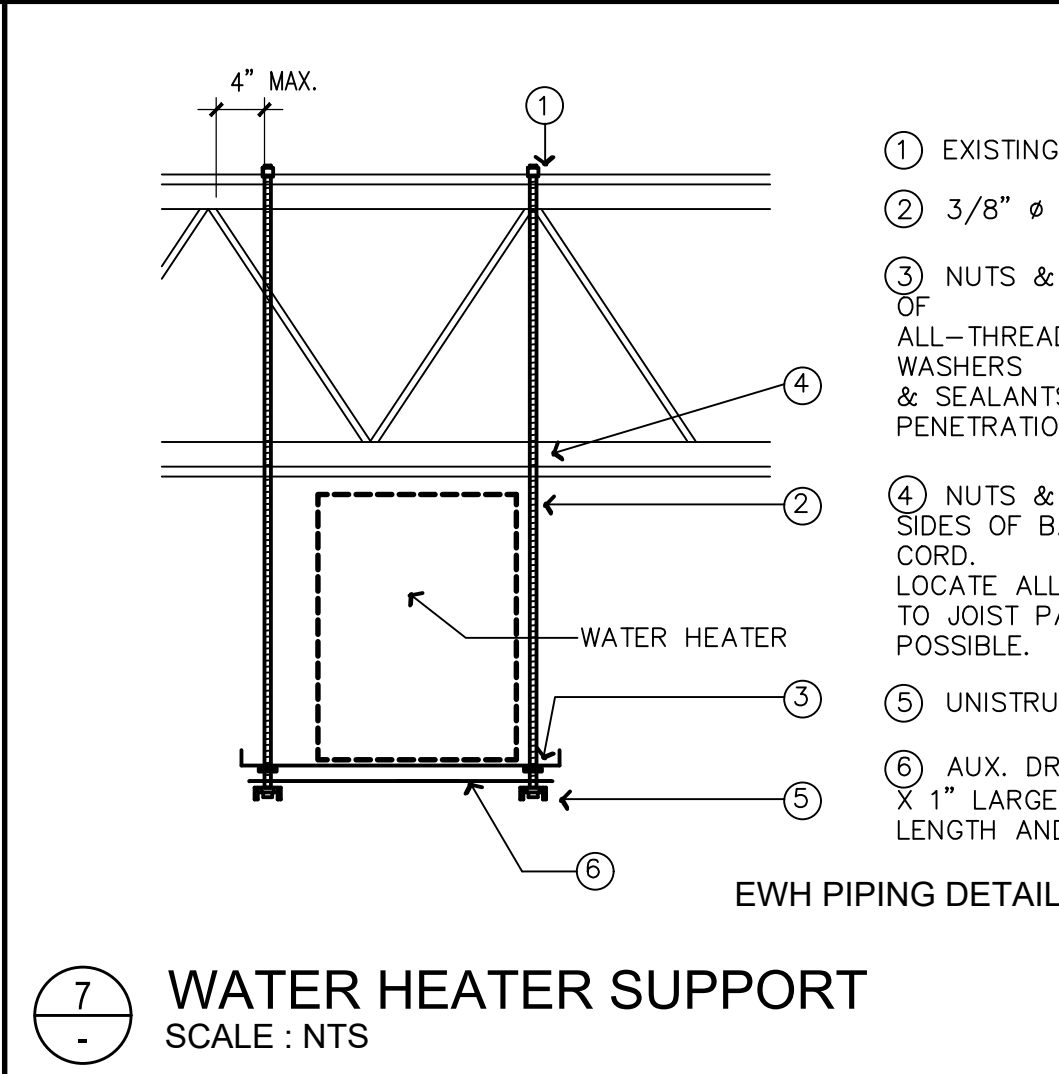
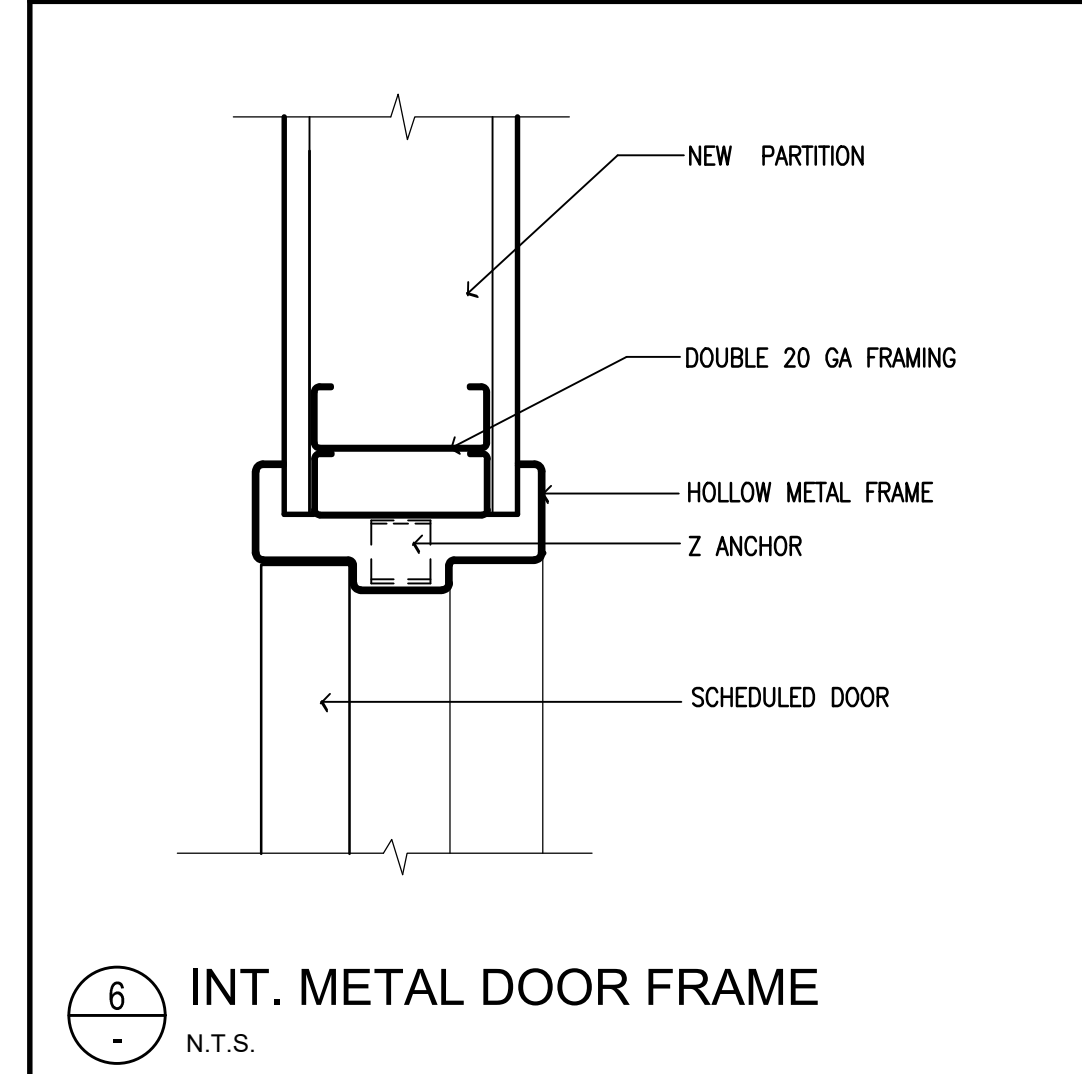
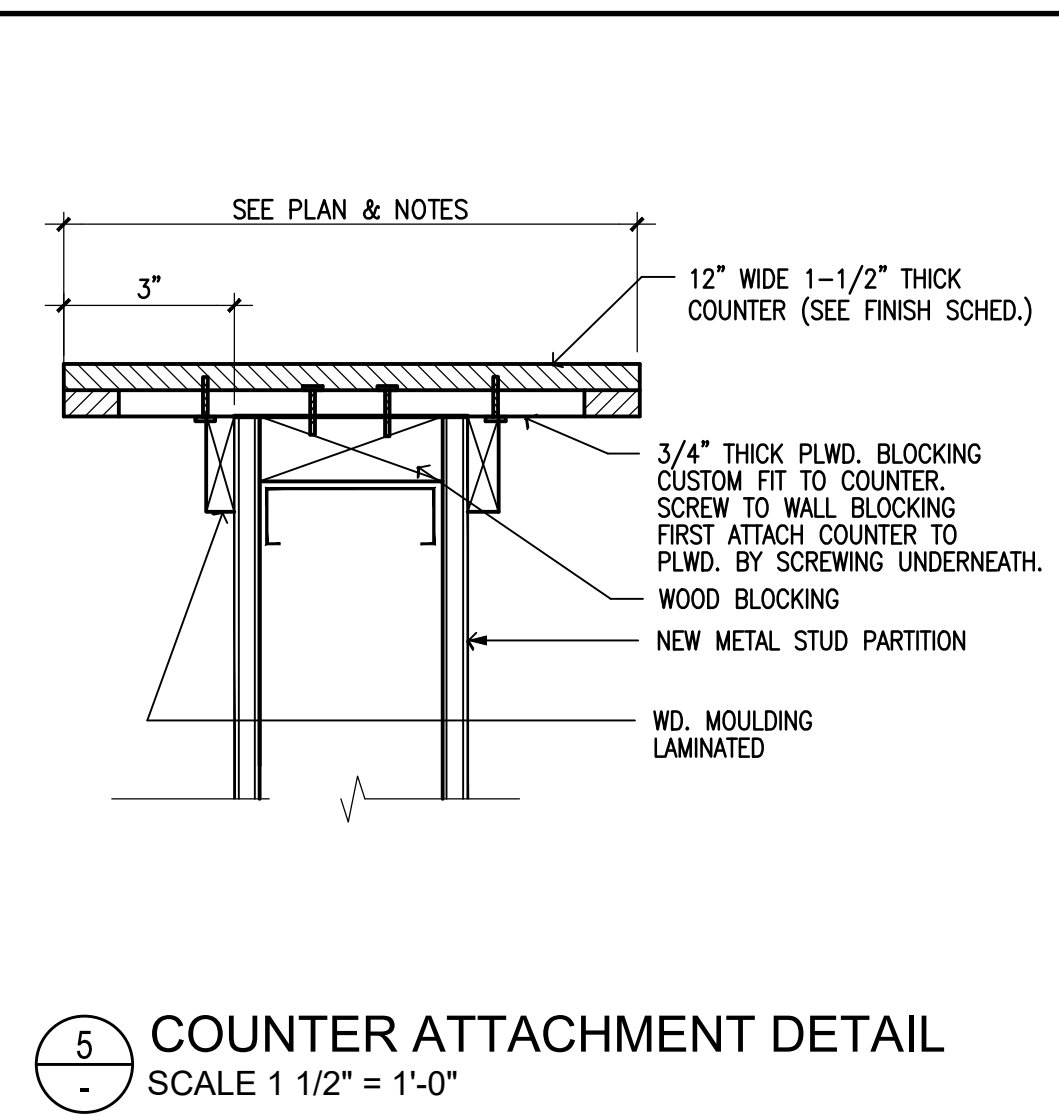
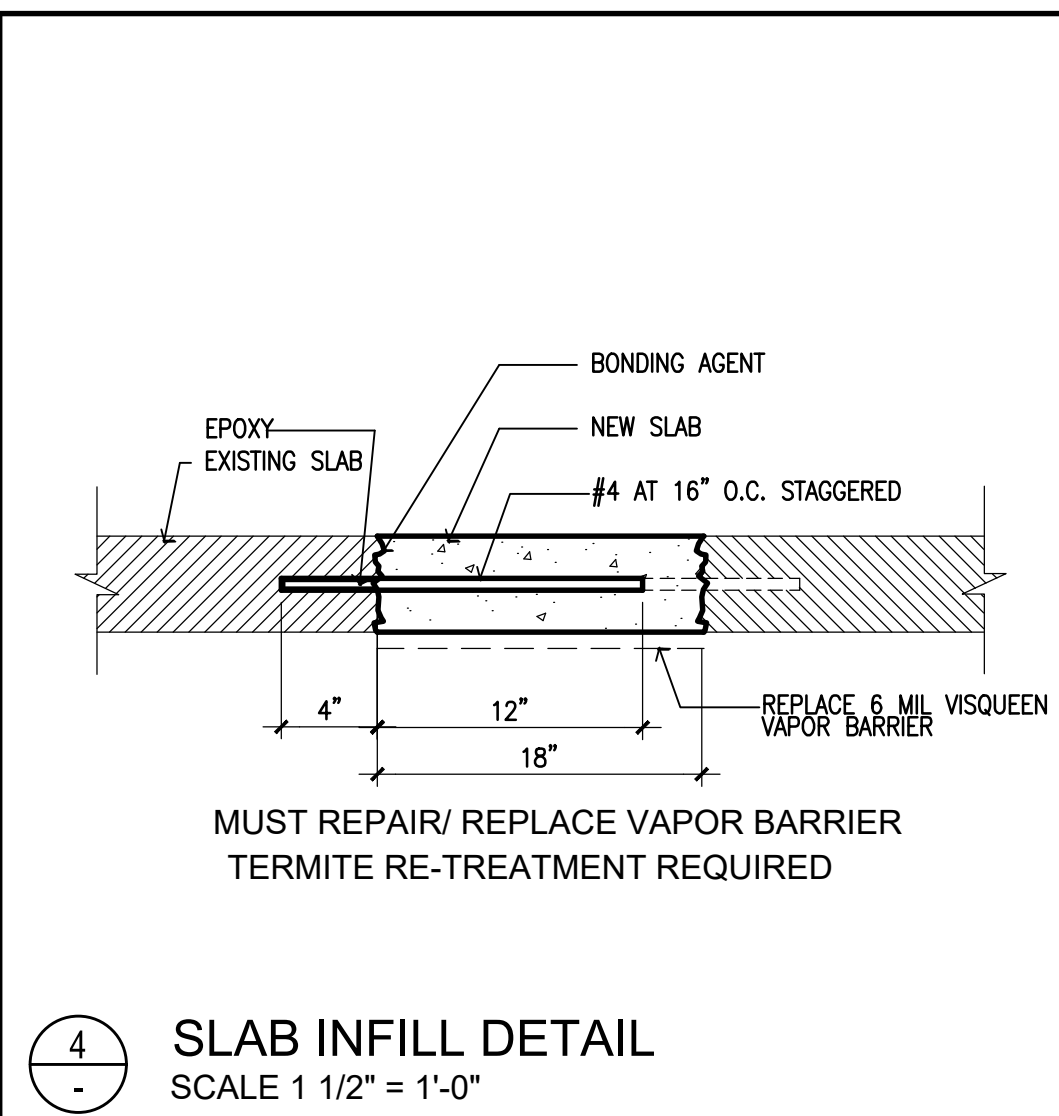
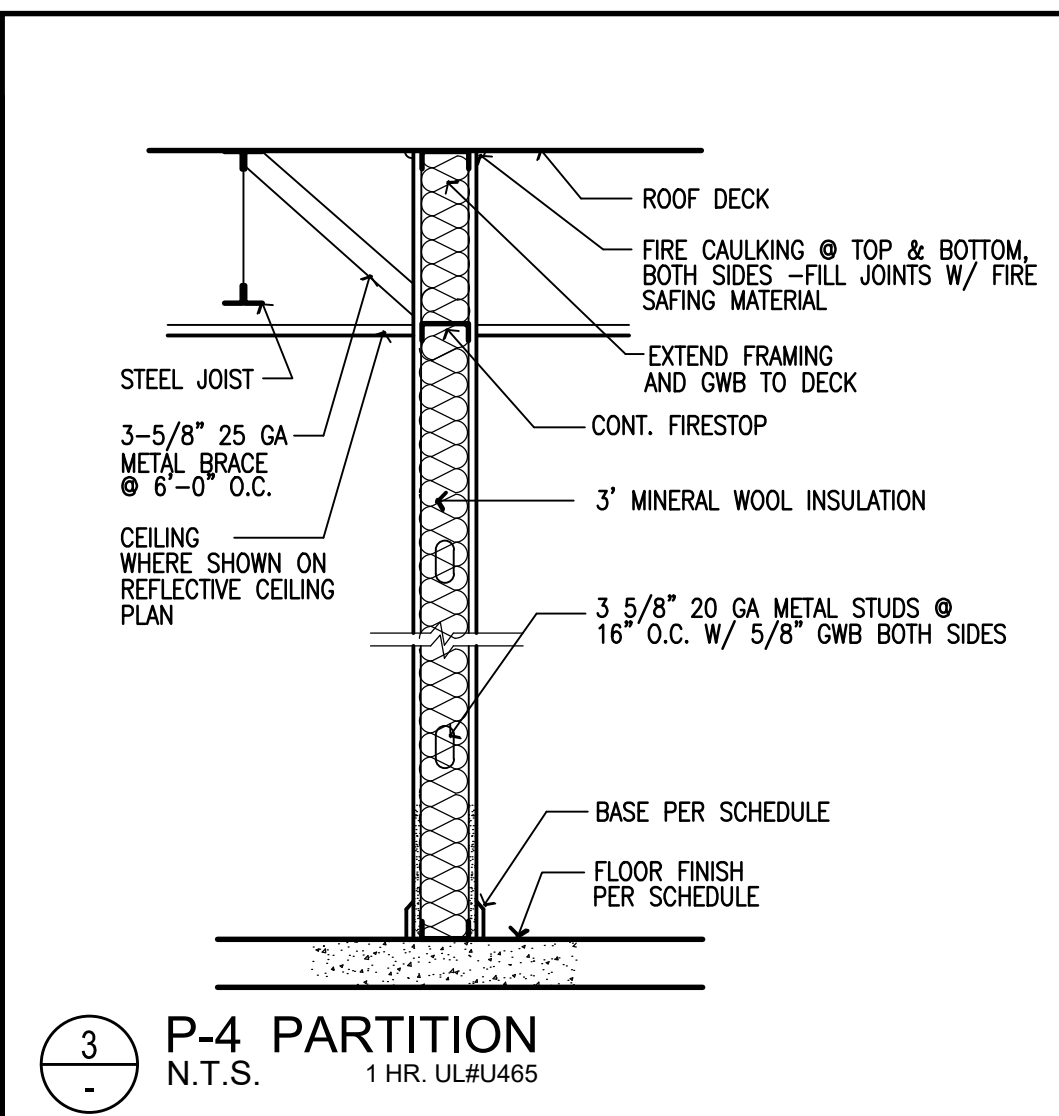
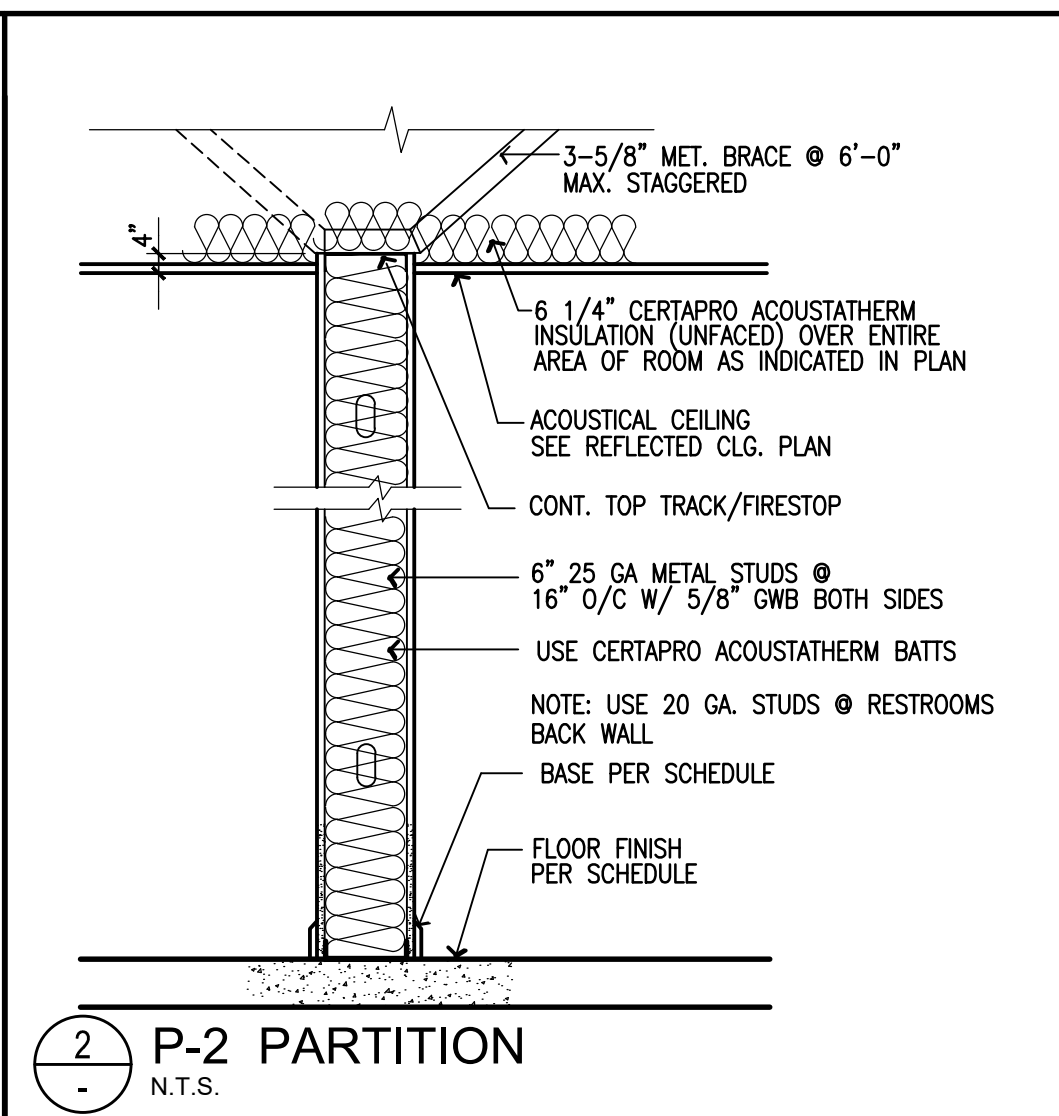
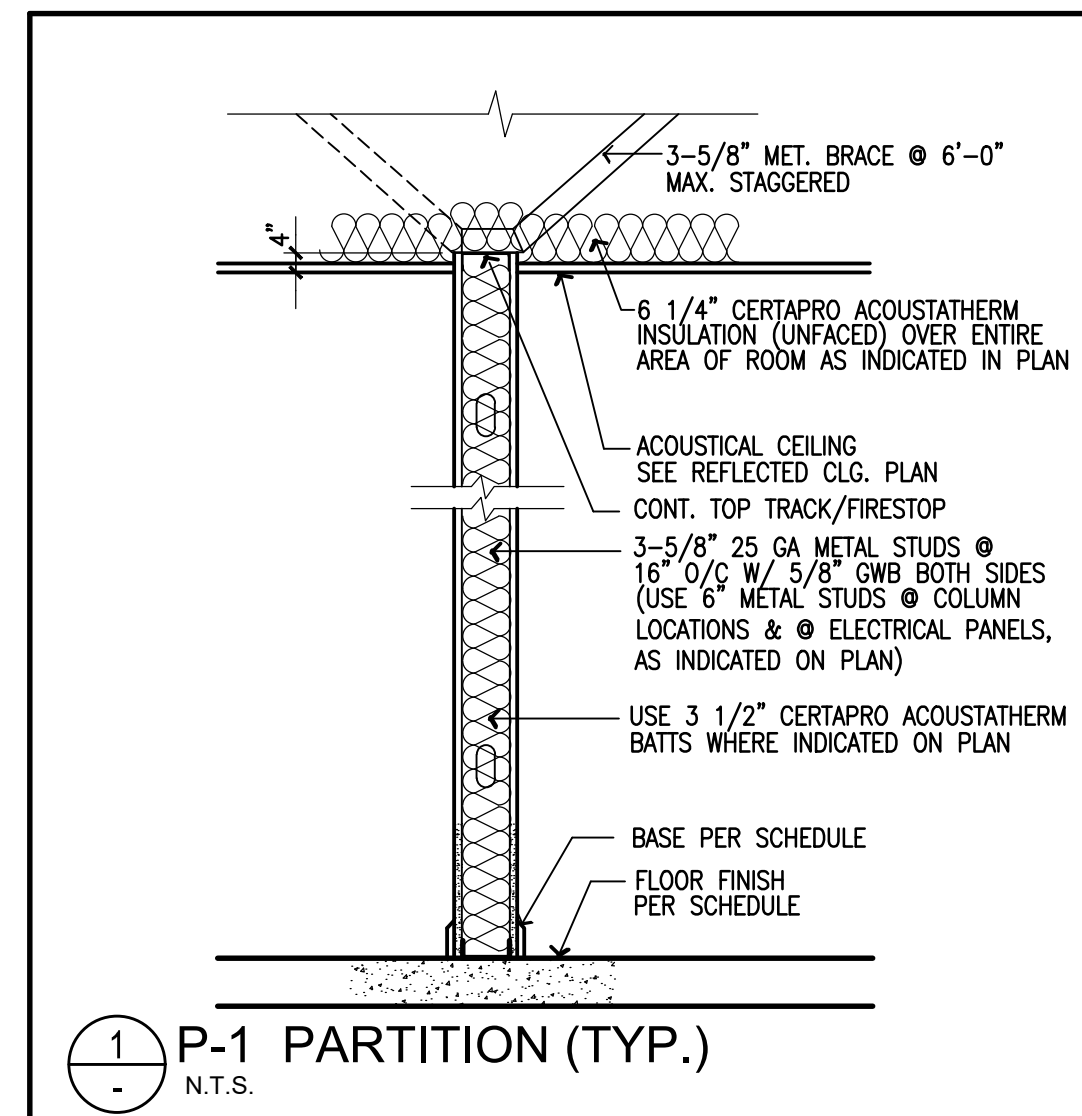


**LCA** AA 003432  
 Architecture, Inc.  
 1975 Sansbury's Way  
 Suite 108  
 West Palm Beach, FL 33411  
 Phone: (561) 493-4787  
 Fax: (561) 493-4786

REVISIONS / DATE



**Interior Improvement for  
 Your Eye Specialists**  
 550 Heritage Dr. Suite 105  
 Jupiter, FL 33458

LESLAW A. CZACZYK AIA	
AR 00015391	
PROJ. NO.	16176
DESIGNED BY	LAC
DRAWN BY	LAC
DATE	11/30/16
SCALE	AS SHOWN

**TYPICAL  
 DETAILS**