

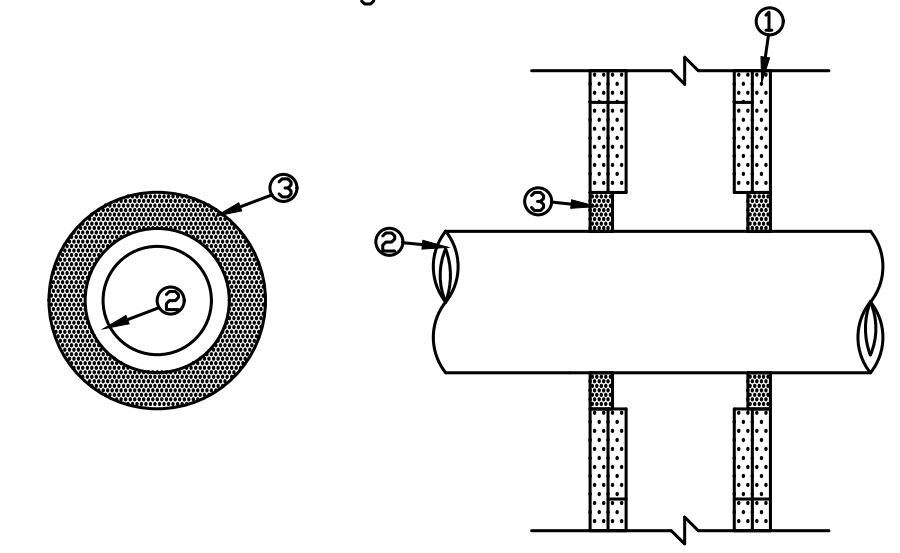


1 or 2 Hour Fire Rated Through Penetration Firestop for Single Metal Pipe through Gypsum walls using TREMstop WBM.

**TREMCO**  
3735 Green Rd.  
Beachwood, OH, 44122

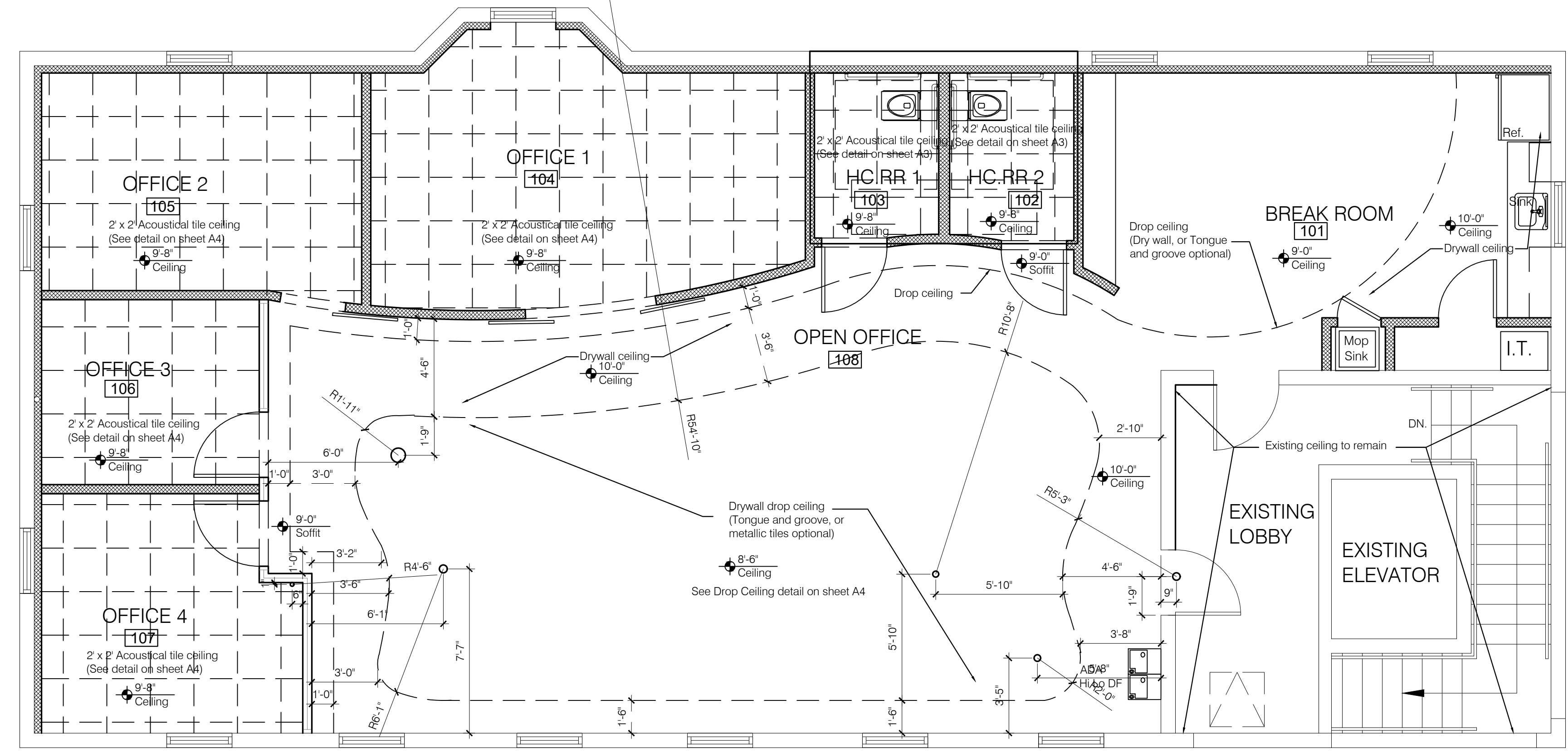
WL1051

F-rating = 1 and 2 Hr.  
T-rating = 0 and 1/2 Hr.



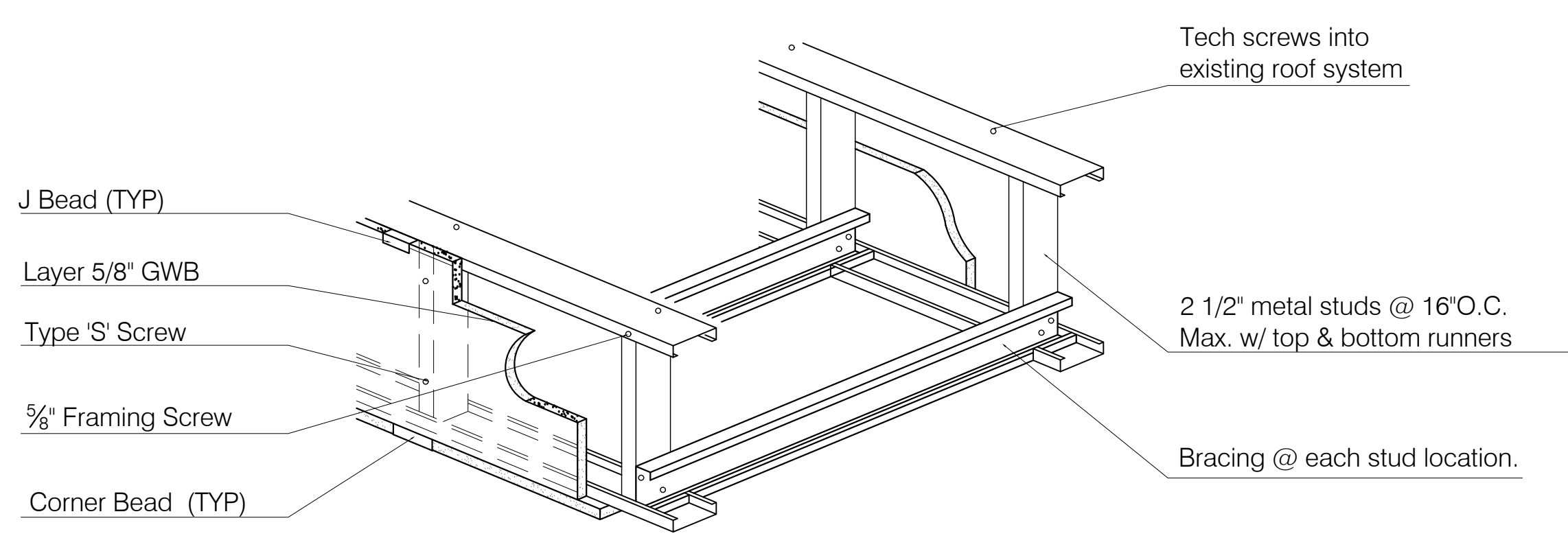
- ① 1 or 2 - hour fire rated gypsum wallboard/stud assembly
- ② A) Steel Pipe - 6" diam.(or smaller) Sch. 40 (or heavier) steel  
B) Conduit - 4" diam.(or smaller) EMT or rigid steel
- ③ TREMstopWBM - fill Max. 3/4" annulus at a thickness of 1/4" (2 Hr. F-rating) or 3/4" (1 Hr. F-rating).

**WALL PENETRATION**  
Drawing not to scale



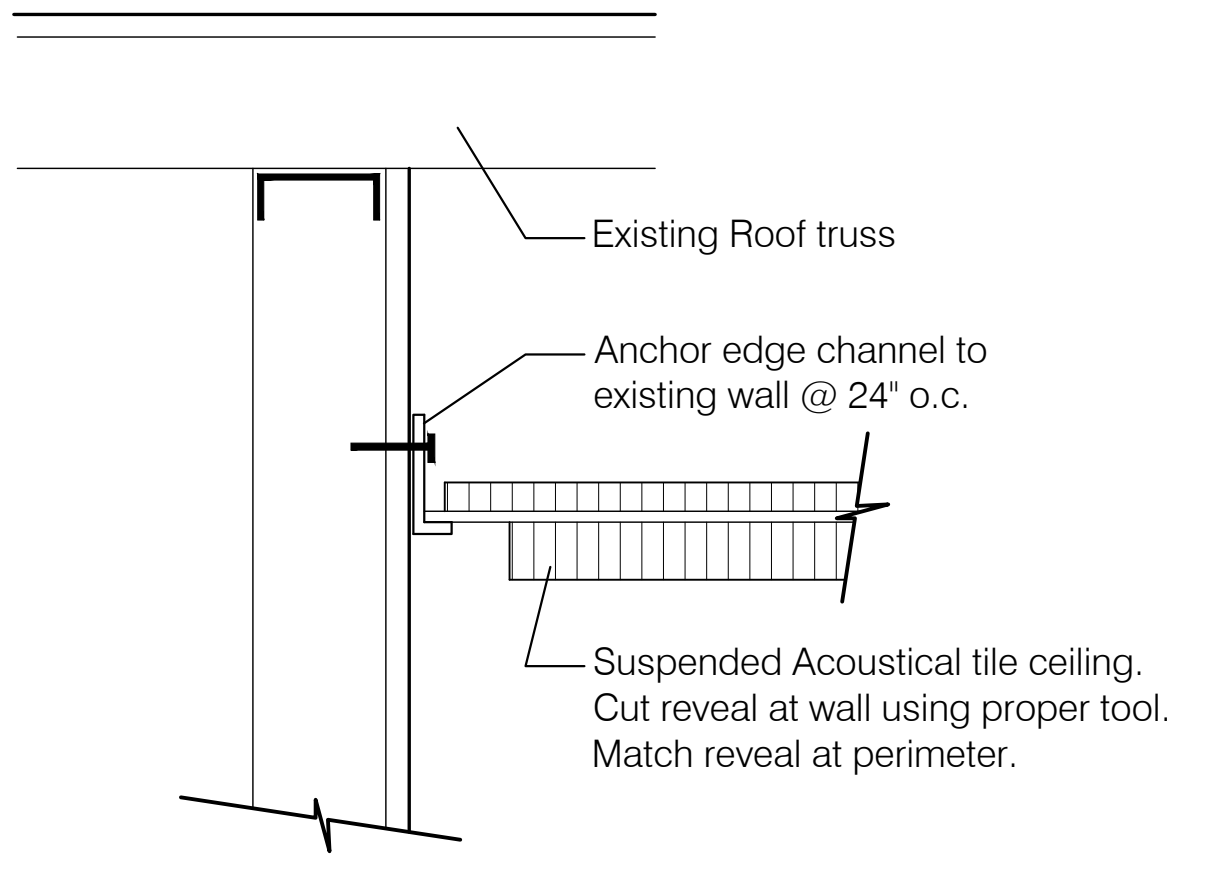
**GENERAL NOTE**  
See M.E.P. drawings for locations of light fixtures, equipment, connection details, mechanical diffusers and grills, and specifications (typical).

Proposed 2nd Floor Ceiling Plan 1/4" Sc.

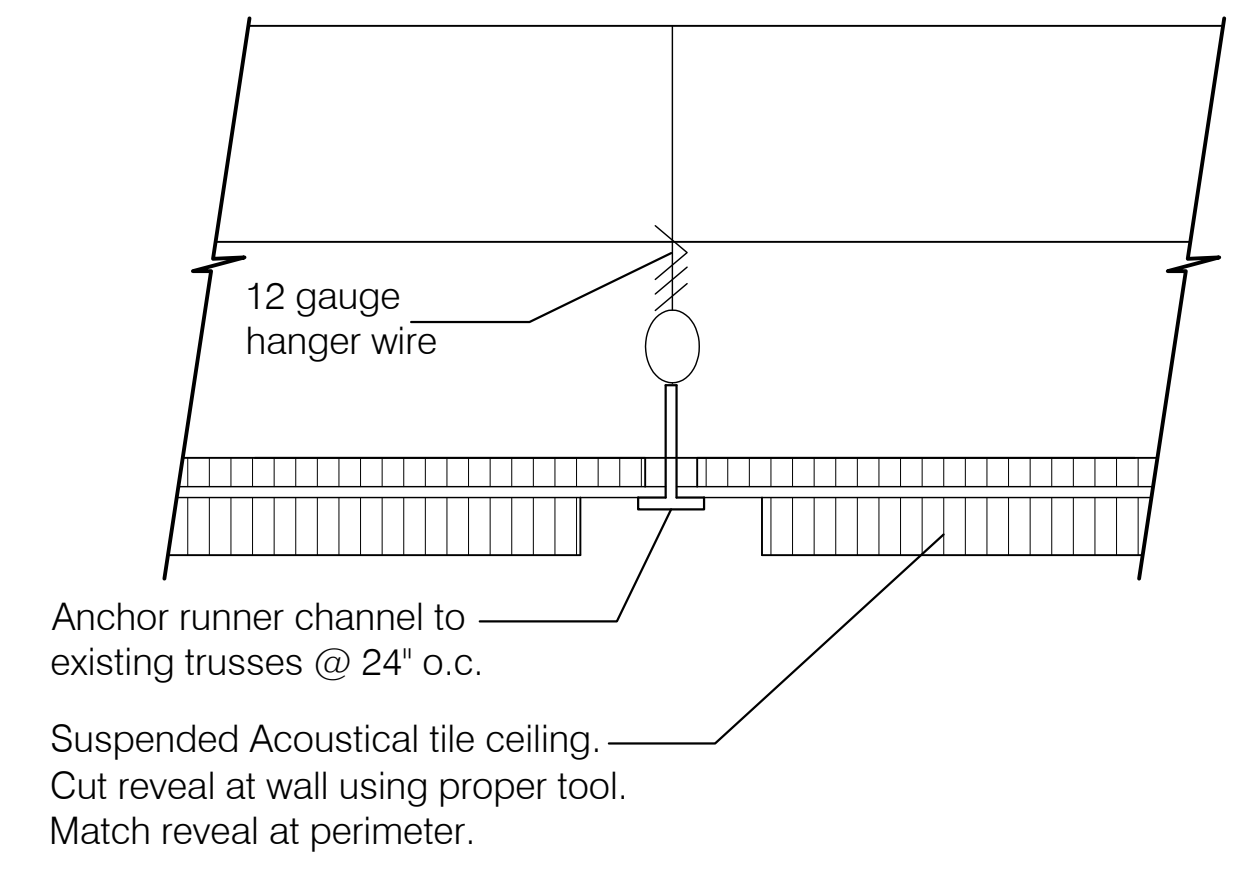


① Typical. Drop Soffit  
A4 N.T.S.

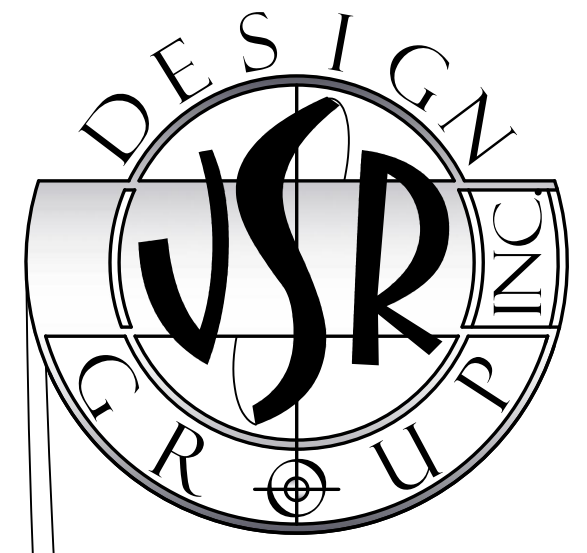
CONTRACTOR IS TO INSTALL ALL METAL FRAMING AS PER THE GYPSUM CONSTRUCTION HANDBOOK (LATEST EDITION).



② Typical Edge Detail  
A4 N.T.S.



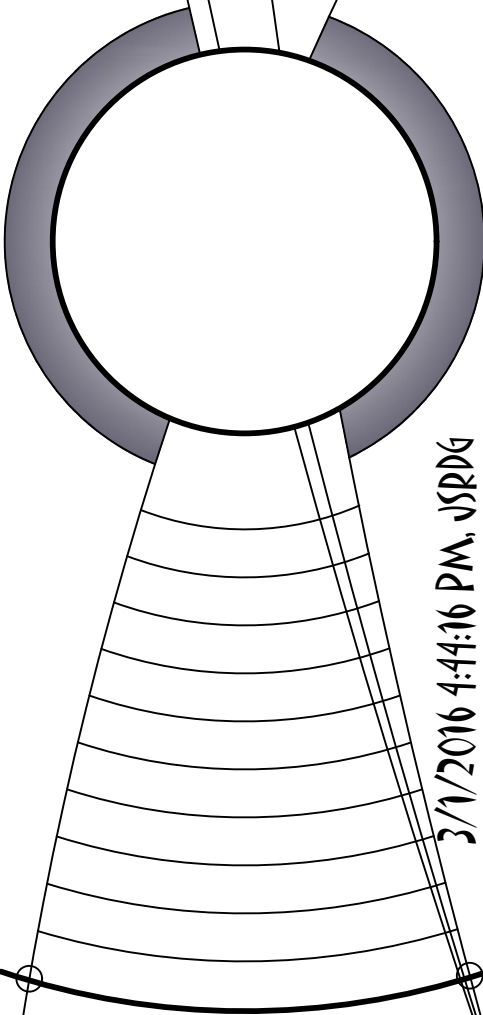
③ Typical Runner Detail  
A4 N.T.S.



LEVEL 2 ALTERATION  
TENANT BUILD-OUT FOR:  
SF PROCESSING  
1315 N. FEDERAL HWY. 2ND FLOOR  
BOYNTON BEACH, FL. 33435

JOHN SHERMAN REED  
ARCHITECT  
FL LICENSE# AR9571

JSR DESIGN GROUP INC.  
970 SW 11TH STREET  
BOCA RATON, FL 33486  
PH: 561-362-7203  
FAX: 561-362-7204



1. All designs and concepts are the property of JSR Design Group Inc., and may not be modified or copied without written permission by the architect.  
2. Contractor to verify all written dimensions (Not scaled) & notify architect of any discrepancies or omissions. Construction shall not proceed until said discrepancies or omissions have been resolved by architect.  
3. Contractor to verify and approve all shop drawings and dimensions before having drawings reviewed and accepted by the architect prior to construction.

11716

A4