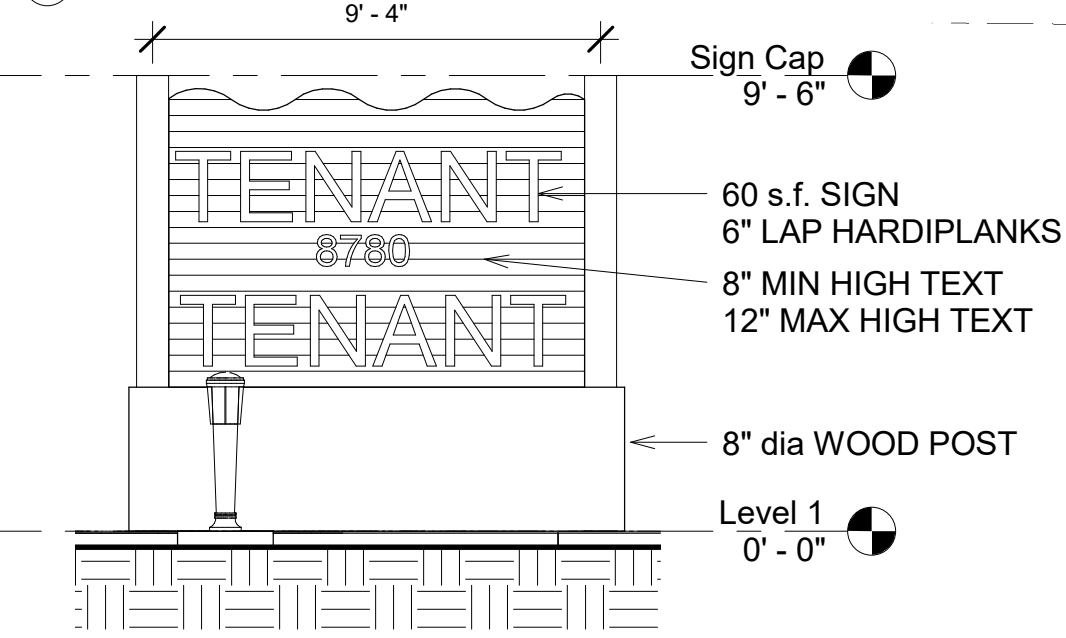
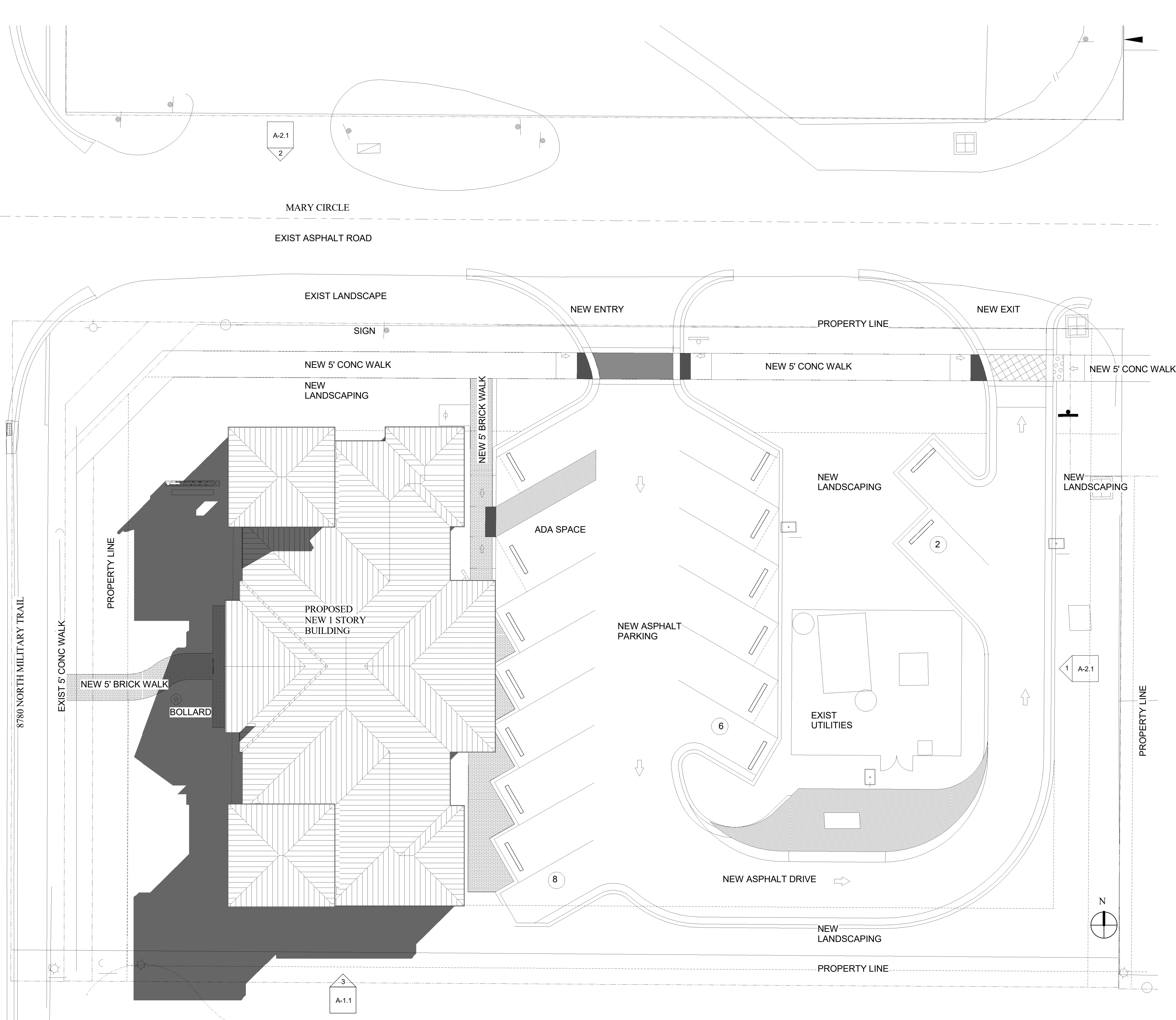


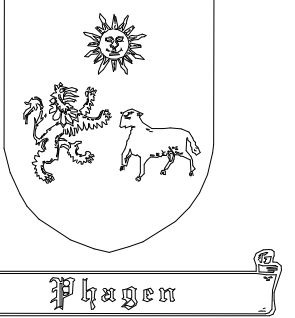
2 Sign View



3 Sign Elevation
1/4" = 1'-0"



1 Site
1" = 10'-0"



Eugene R Fagan III Architect #11668

3432 A West 45th Street
West Palm Beach, FL 33418
(561) 385-4514
Eugene@FaganArchitect.com

Copyright 2015

3/12/2016 1:06:06 PM

Consultant
Address
Phone
Fax
e-mail

Consultant
Address
Phone
Fax
e-mail

Consultant
Address
Phone
Fax
e-mail

Seal

No.	Description	Date

Sea Ya Holdings Mary Circle SITE PLAN

Project number	Project Number
Date	Issue Date
Drawn by	Author
Checked by	Checker

A-1.1

Scale As indicated