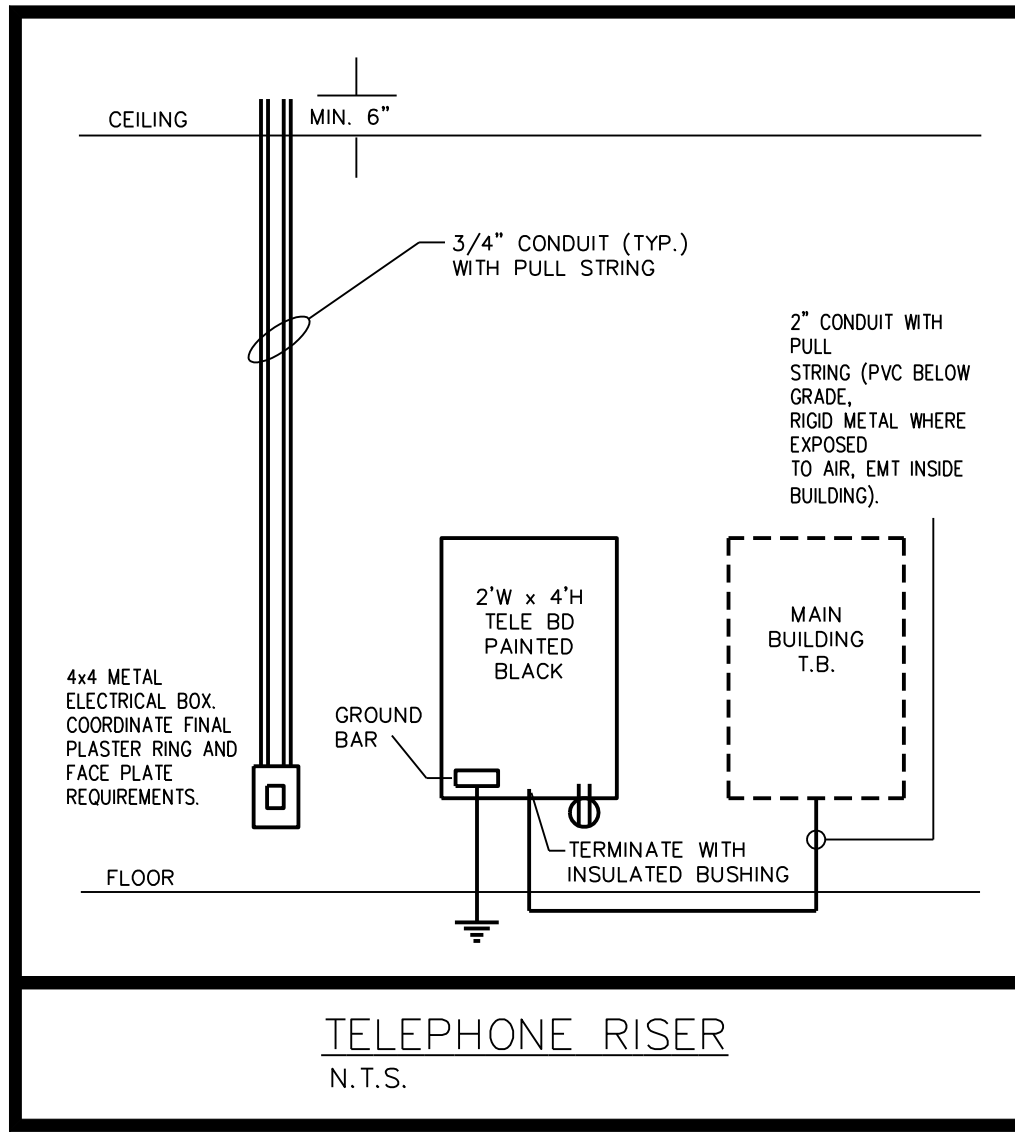
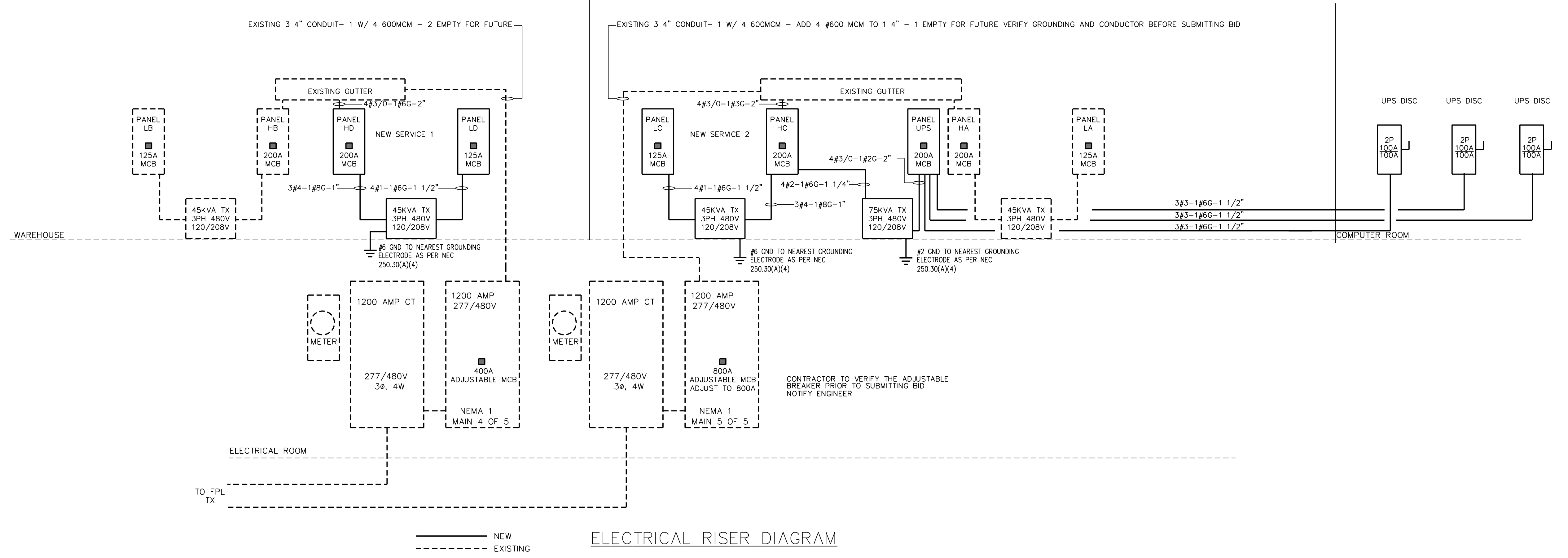
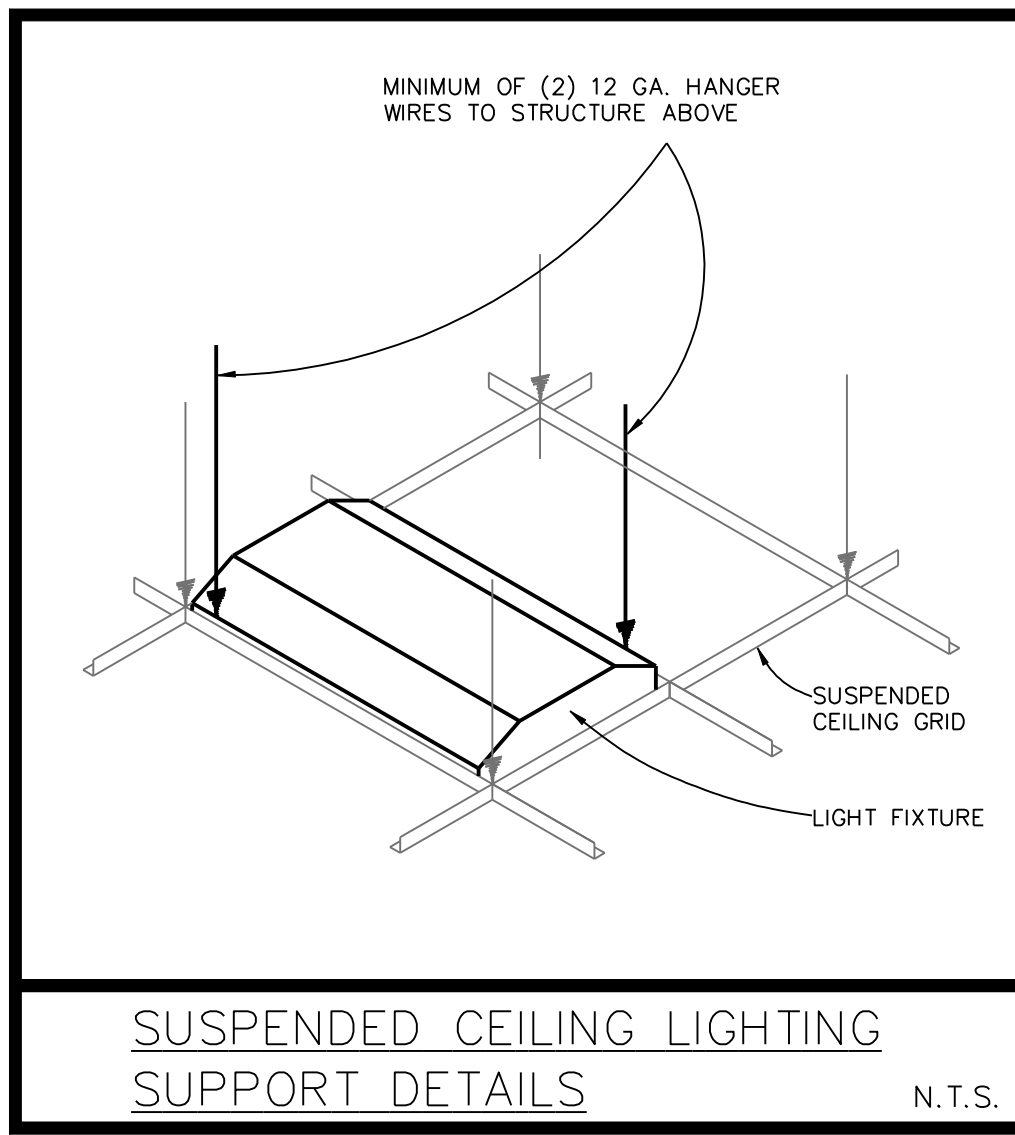


SERVICE 1 TOTAL LOAD	
PNL HB	119715W
PNL HD	73120W
TOTAL	192835W
	232A

SERVICE 2 TOTAL LOAD	
PNL HA	120210W
PNL HC	248860W
TOTAL	369070W
	444A



REVISION

TRIESCHMANN DUMALA ARCHITECTURAL GROUP 2016. THIS DOCUMENT IS THE PROPERTY OF TRIG ARCHITECTURAL GROUP. NO PART OF THIS DOCUMENT MAY BE REPRODUCED WITHOUT THE WRITTEN CONSENT OF TRIESCHMANN DUMALA ARCHITECTURAL GROUP.

PETMEDS
420 SOUTH CONGRESS AVE. SUITE 100
DELRAY BEACH, FL
ELECTRICAL DETAILS, NOTES & RISER

TRIESCHMANN DUMALA
architectural group
6451 East Rogers Circle | Suite 9 | Boca Raton, FL 33487
P: 561.981.8000 F: 561.981.8916
AA20002244 AA20002252 www.tridgroup.com

Seal
Michael W. Dumala, AIA
Florida License No. AEC01823

loucks engineering inc.
consulting engineers
E. PILHUI P.E. FL REG 49832
4520 ne 18th ave ste 400, Ft. Lauderdale, FL 33334
TEL (954) 938-1981 FLA. REG. #EB-0003306