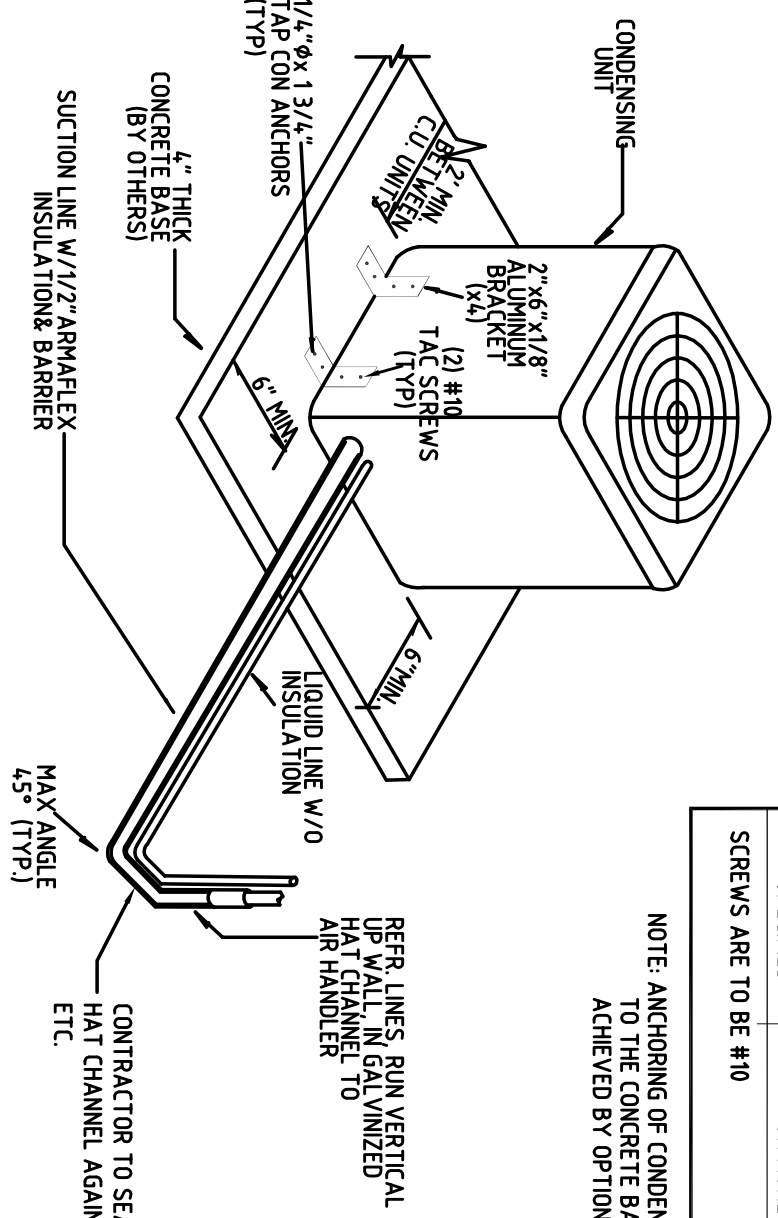


NOTES:
 1) TO BE LOCATED ON 4" THICK FLOOR ABOVE THE AREA FLOOD PLANE. CONTRACTOR SHALL VERIFY REQUIRED ELEVATIONS WITH REQUIRED ELEVATIONS WITH NONPOLICITY OFFICIAL.

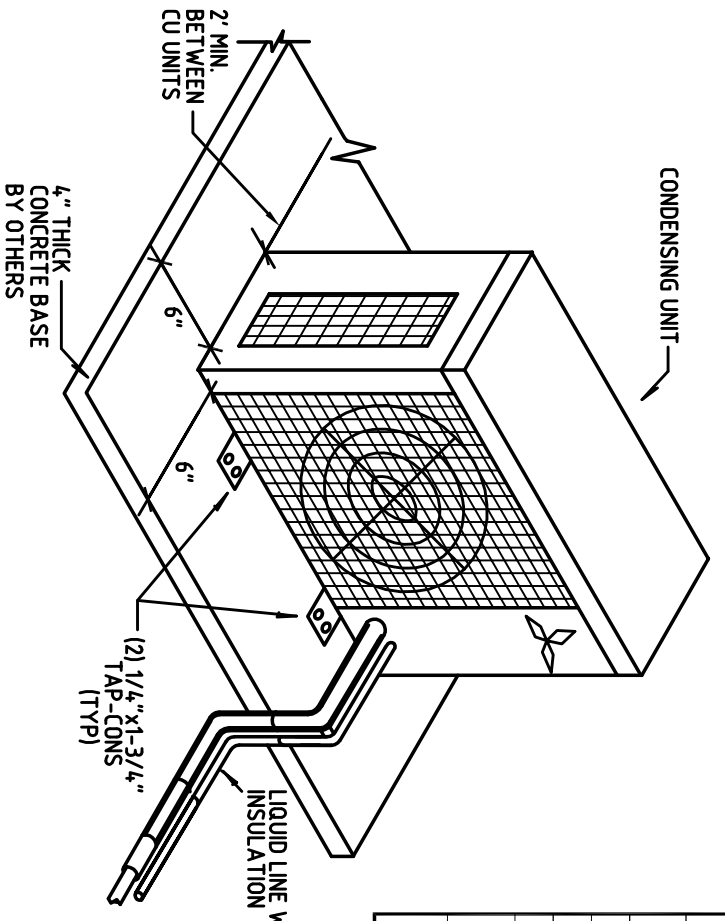
GROUND MOUNTED CONDENSING UNIT	
NO. OF SCREWS PER SIDE	CONDENSING UNIT HEIGHT
1	0' - 12"
2	12' - 24"
3	24' - 36" OR MORE THAN 36"
ENGINEER SPECIFIED	OR MORE THAN 5 TON
SCREWS ARE TO BE #10	

NOTE: ANCHORING OF CONDENSING UNIT SHALL BE AS APPROVED BY NONPOLICITY OFFICIALS ACHIEVED BY OPTIONAL METHODS.



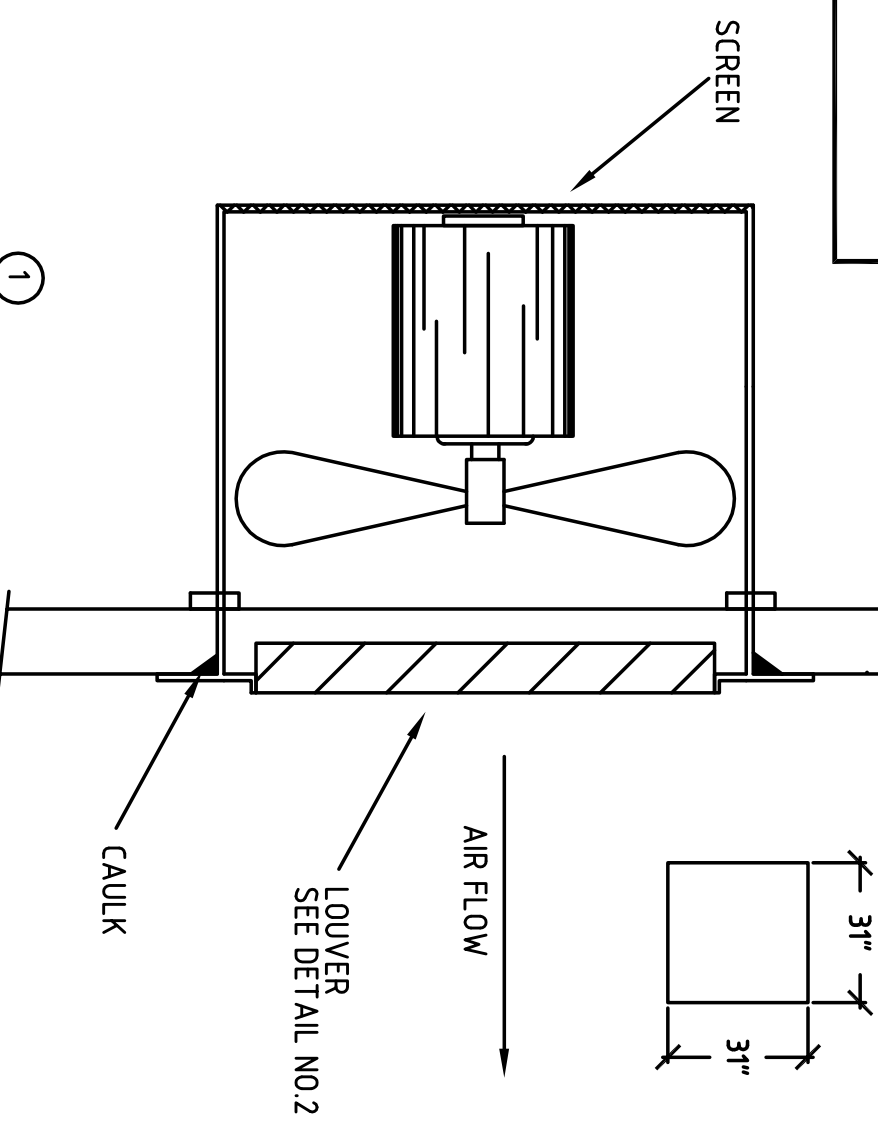
DETAIL NO. 1
 CONDENSING UNIT DETAIL
 NOT TO SCALE

NOTES:
 1) TO BE LOCATED ON 4" THICK FLOOR ABOVE THE AREA FLOOD PLANE. CONTRACTOR SHALL VERIFY REQUIRED ELEVATIONS WITH REQUIRED ELEVATIONS WITH NONPOLICITY OFFICIAL.

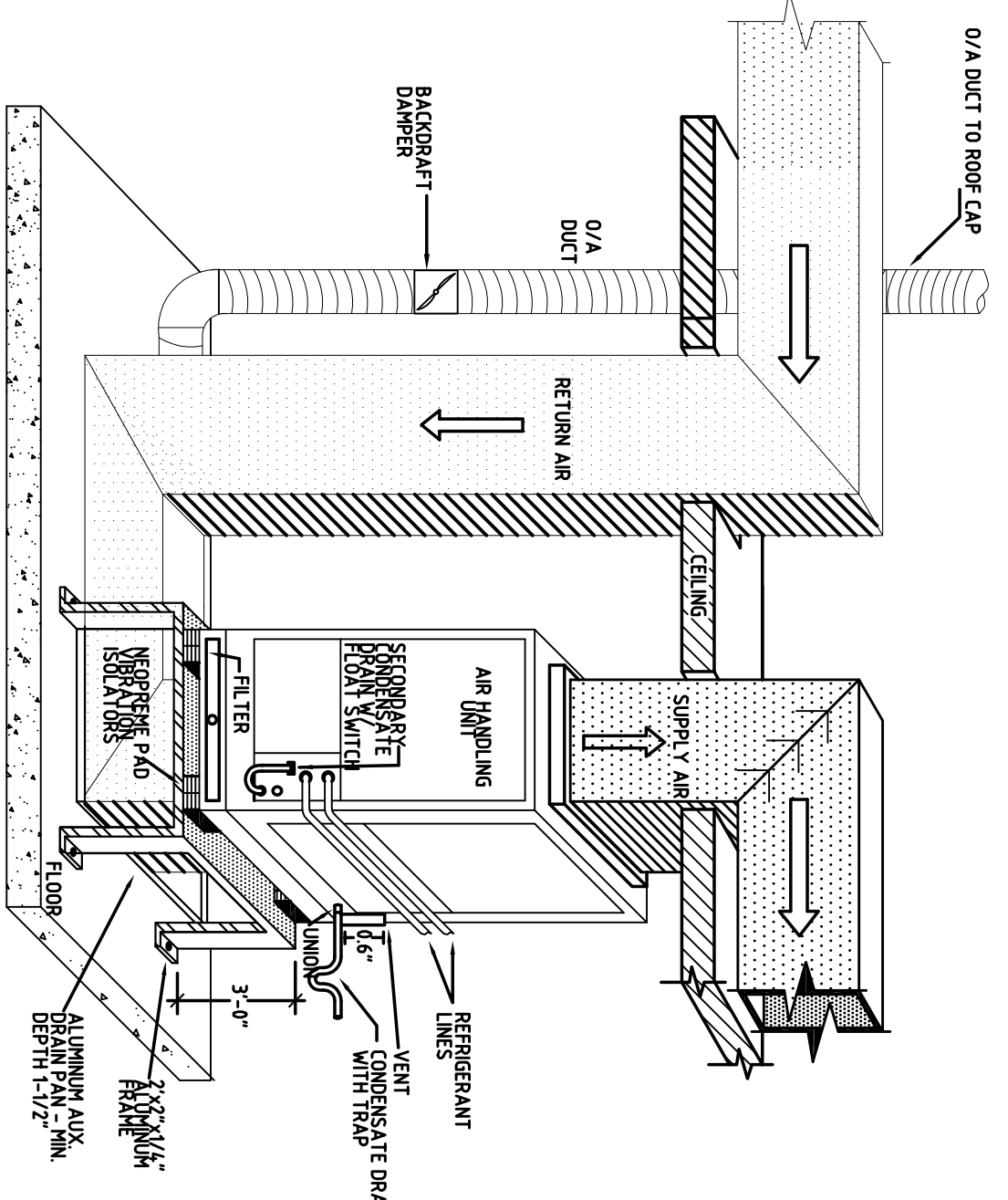


DETAIL NO. 3
 CONDENSING UNIT DETAIL
 NOT TO SCALE

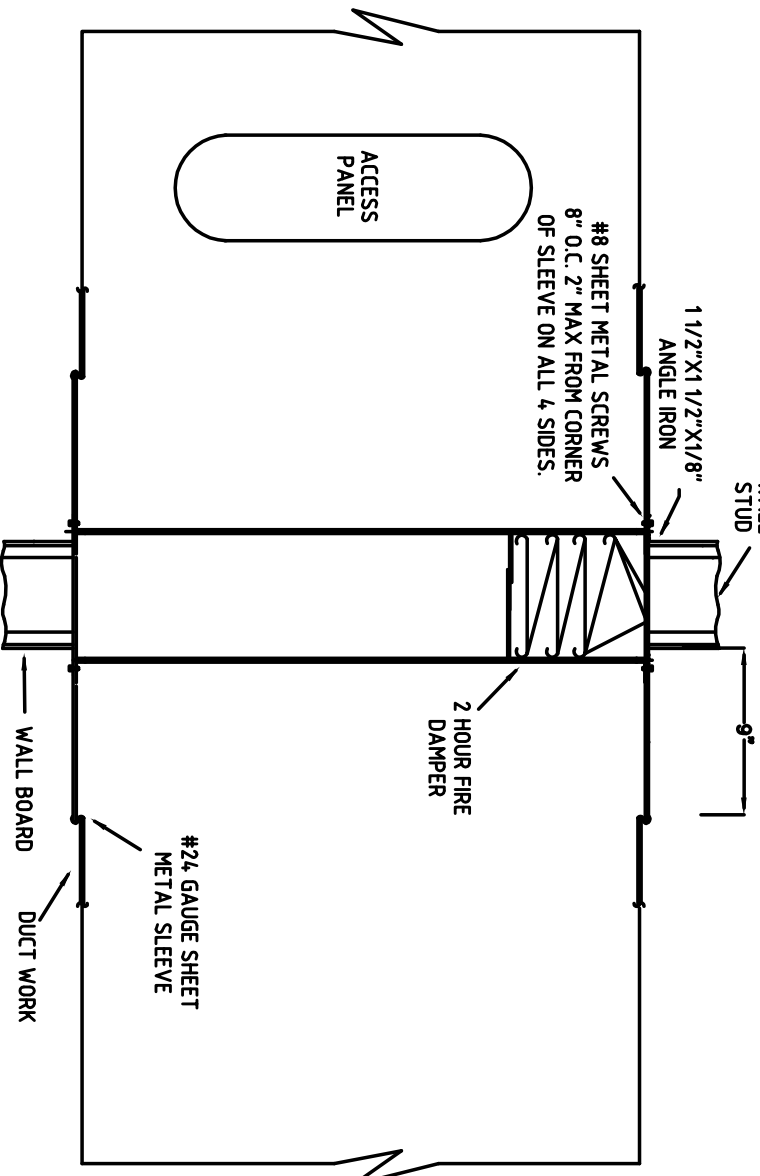
1) INSTALL EXHAUST FANS AND LOUVERS PER MANUFACTURER SPECS.



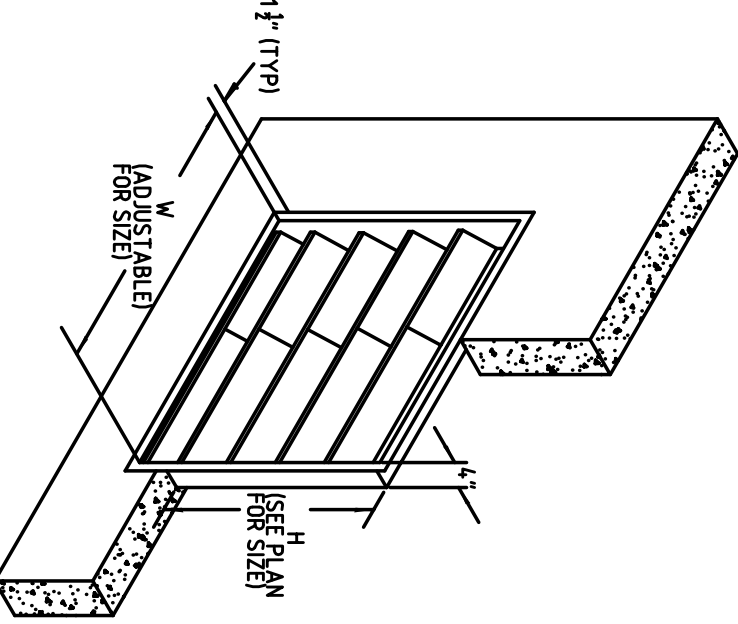
DETAIL NO. 5
 EXHAUST FAN DETAIL
 NOT TO SCALE



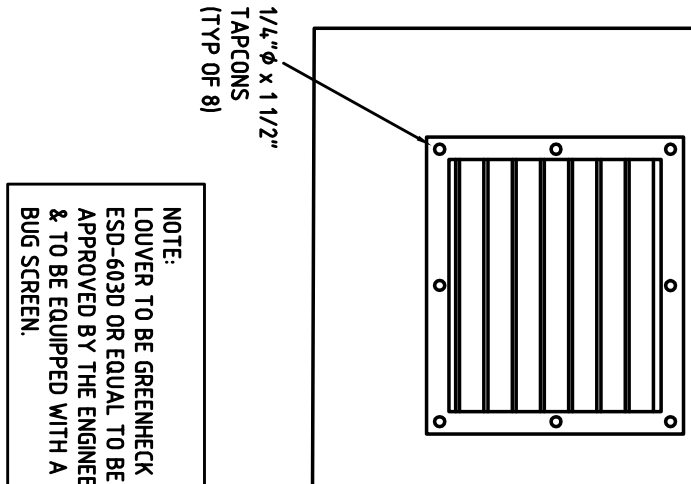
DETAIL NO. 2
 VERTICAL AIR HANDLER DETAIL
 NOT TO SCALE



DETAIL NO. 4
 FIRE DAMPER MOUNTING DETAIL
 NOT TO SCALE



DETAIL NO. 6
 WALL LOUVER MOUNTING DETAIL
 NOT TO SCALE



DETAIL NO. 7
 DUCT MOUNTING DETAIL
 NOT TO SCALE

AIR CONDITIONING DATA

UNIT NO.	UNIT NO.	HPG.	CONDENSING UNIT MODEL NO.	AIR HANDLER UNIT MODEL NO.	TOTAL BTUH	SENSIBLE BTUH	SER. HEAT	TOTAL BTUH	O/A FAN E.S.P. - IN	ELECTRIC SUCTION & LIQUID LINES	
5 TON	AHU-1	CARRIER	24AB36AA03	F40KMF61100	58,300	43,400	135	2000	4	34,200 BTUH	1-1/8" x 3/8"

A/C EQUIPMENT NOTES:
 1) VERIFY ALL A/C ELECTRICAL REQUIREMENTS WITH MANUFACTURERS SPEC. PRIOR TO
 2) PROVIDE R-4.0/A REFRIGERANT
 3) PROVIDE PULL DISCONNECTS.
 4) PROVIDE PROGRAMMABLE DIGITAL THERMOSTAT WITH NIGHT SET BACK.
 5) REFRIGERANT LINE SIZE BASED ON 4-80 FT. TOTAL EQUIVALENT LENGTH.

ELECTRICAL DATA

UNIT NO.	V/PHz	COMPRESSOR	QTY	FLA	LRA	QTY	FLA	HP	PH	ELECTRIC HEAT	CONDENSING UNIT	AIR HANDLER UNIT
5 TON	AHU-1	240V/160	1	26.4	134	1	12	3/4	6.0	10 MW	34.2A	59A
											538A	60A

AIR TERMINAL SCHEDULE

SYSTEM	SERVICE	LOCATION	ACCESSORIES	MANUFACTURER	MODEL	REMARKS
A	SUPPLY	CEILING	O.B.D.	METAL-ABE	MODEL NO. 5700-MS-220	24" x 24" SURFACE
B	SUPPLY	CEILING	O.B.D.	METAL-ABE	MODEL NO. 5700-MS-220	8" x 8" SURFACE
R.A.G.	RETURN	CEILING	O.B.D.	METAL-ABE	MODEL NO. RH-1	SEE PLANS FOR SIZE

AIR TERMINAL NOTES:
 1) STANDARD FINISH TO BE WHITE FOR ALL DEVICES.

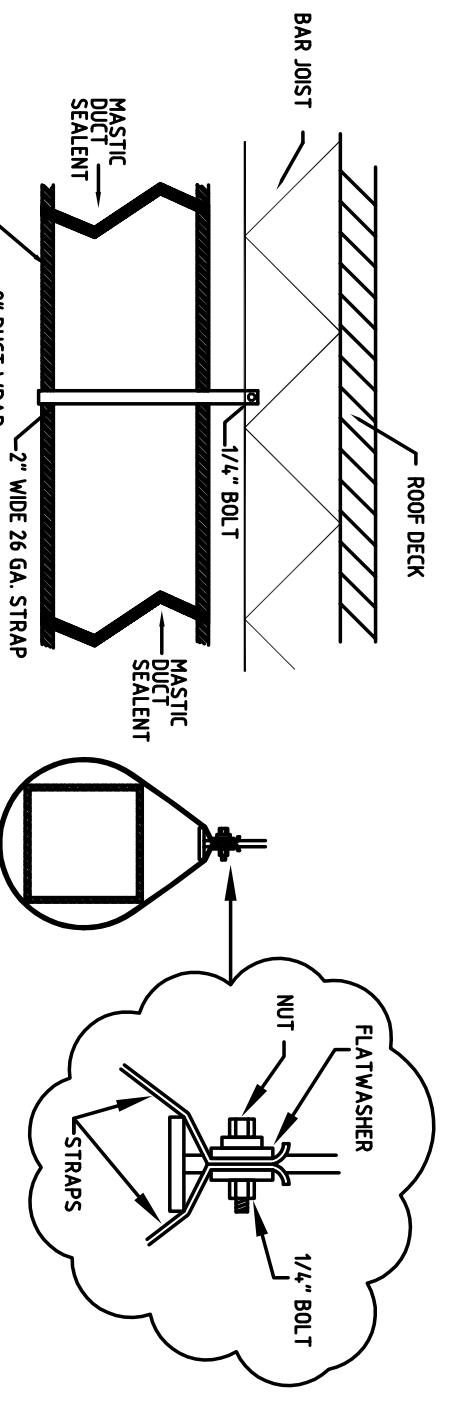
AIR CONDITIONING DATA [SERVER ROOM]

UNIT NO.	HPG.	CONDENSING UNIT MODEL NO.	AIR HANDLER UNIT MODEL NO.	TOTAL BTUH	SENSIBLE BTUH	SER. HEAT	TOTAL BTUH	O/A FAN E.S.P. - IN	ELECTRIC SUCTION & LIQUID LINES		
.75 TON	AHU-1	HUSTISHI	HJZSHVNA	1	HJZSHVNA	9,000	-	30.5	-	10,900 BTUH	-

A/C EQUIPMENT NOTES:
 1) VERIFY ALL A/C ELECTRICAL REQUIREMENTS WITH MANUFACTURERS SPEC. PRIOR TO
 2) PROVIDE R-4.0/A REFRIGERANT
 3) PROVIDE PULL DISCONNECTS.
 4) REFRIGERANT LINE SIZE BASED ON 0-80 FT. TOTAL EQUIVALENT LENGTH.

ELECTRICAL DATA [SERVER ROOM]

UNIT NO.	V/PHz	COMPRESSOR	QTY	FLA	LRA	QTY	FLA	HP	PH	ELECTRIC HEAT	CONDENSING UNIT	AIR HANDLER UNIT
.75 TON	AHU-1	208V/160	1	8.2	10.3	1	5.9	-	4.7	-	11A	15A



NOTE:
 X: MIN. ONE STRAP PER 5' OF DUCT.
 Y: ALL COMPONENTS OF INST. ALTIMETER SHALL BE IN CONTACT WITH SHIMON BRACKETS.