

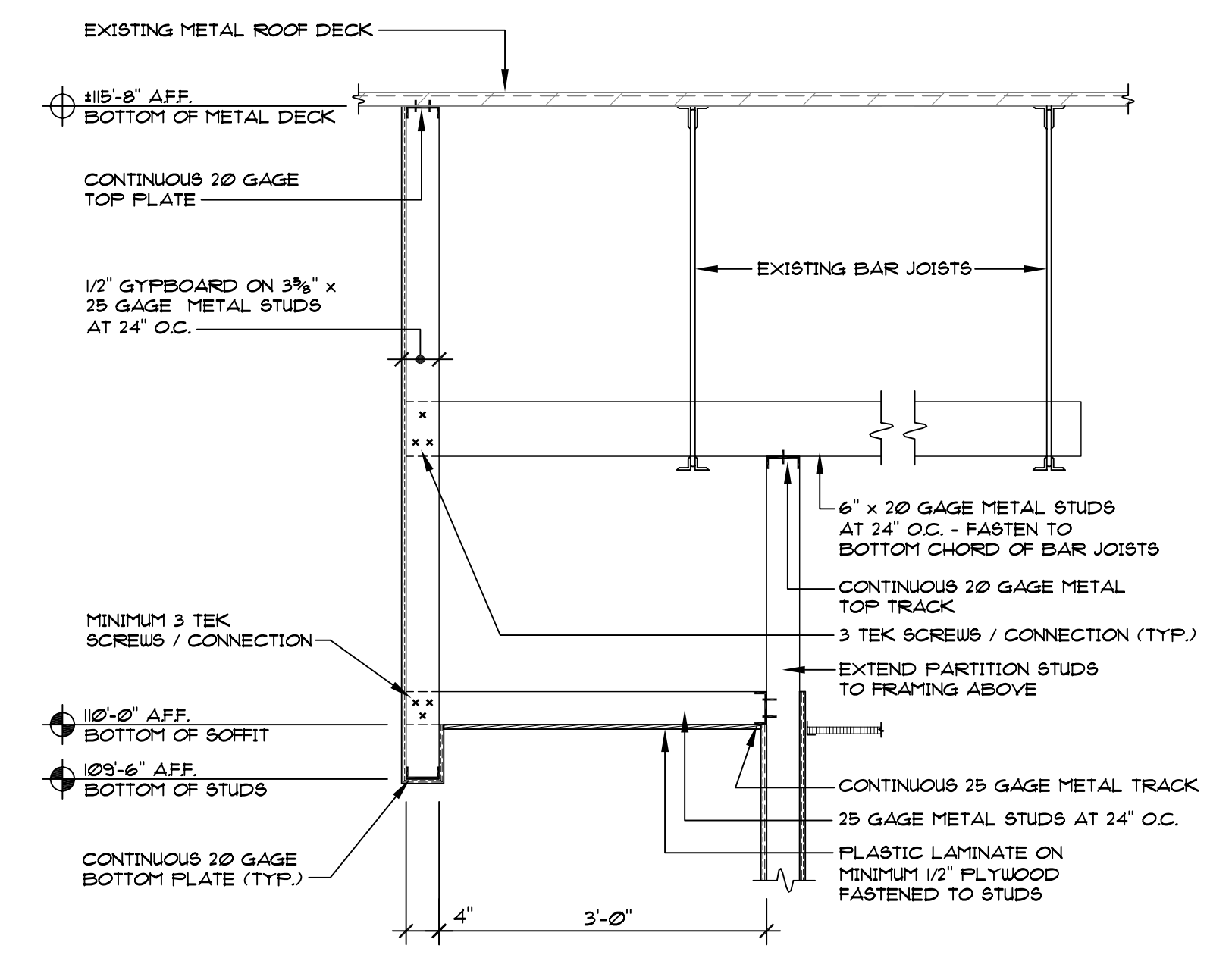
REVISIONS	BY

KUOPPALA & ASSOCIATES, P.A.
 ARCHITECTS
 LICENSE #AC-001656
 (561) 682-1909 - OFF.
 (561) 682-1975 - FAX.

ROBERT E. KUOPPALA
 FLORIDA ARCHITECT #9481
 925 SOUTH MILITARY TRAIL, SUITE D-10
 WEST PALM BEACH, FLORIDA 33415

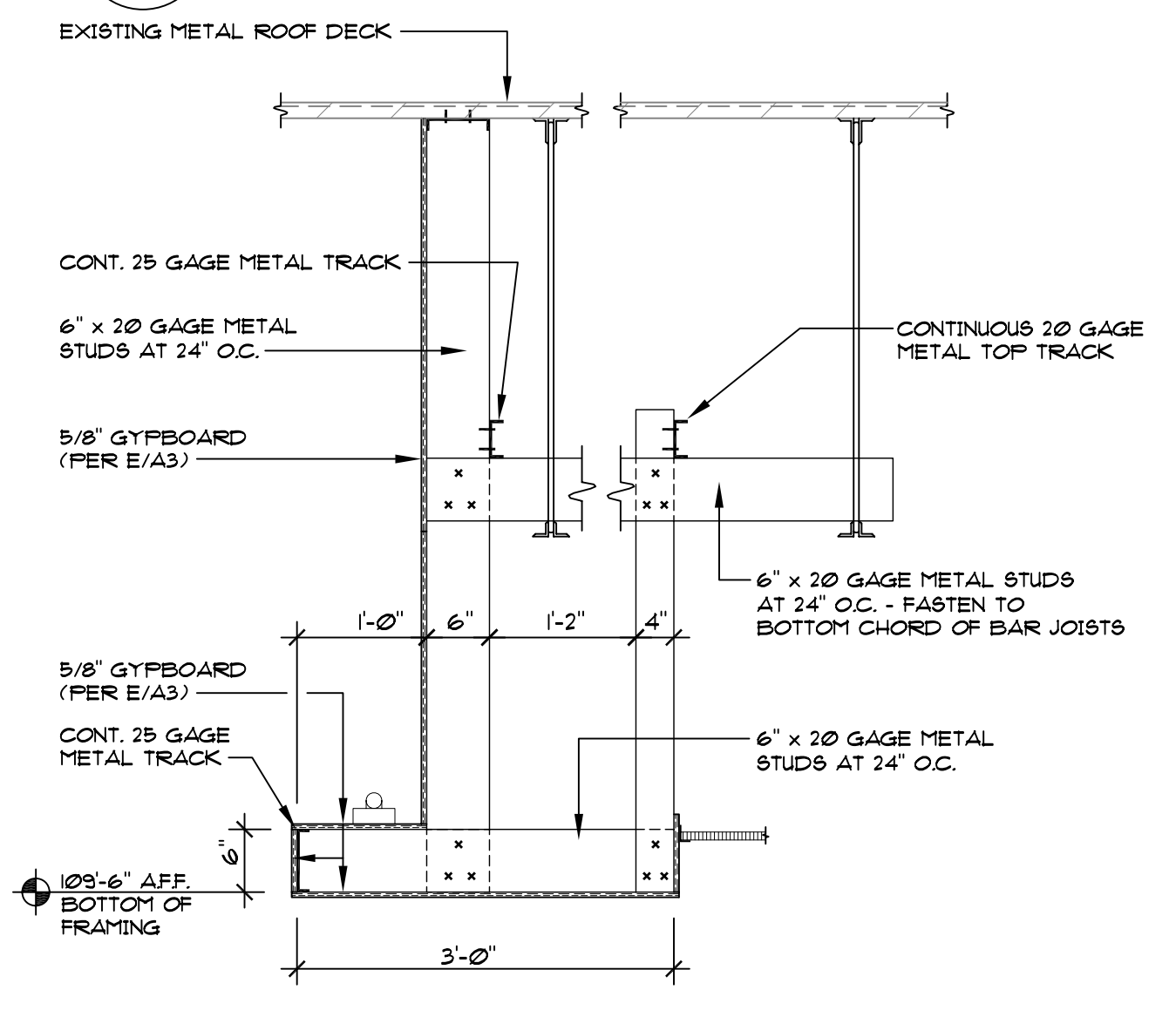
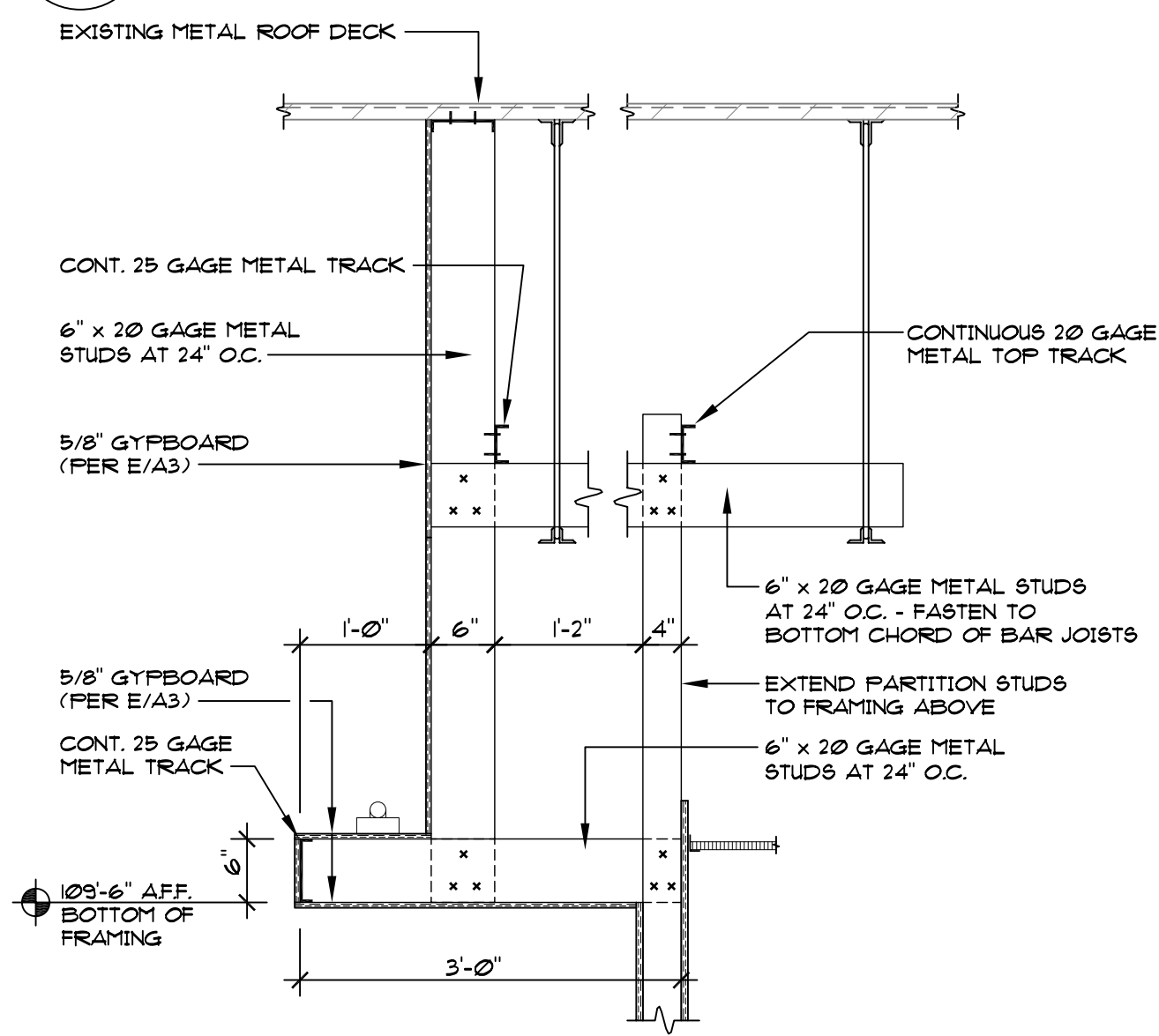
INTERIOR IMPROVEMENTS
FIRED UP PIZZA
 8170 OKERCHOBBE BLVD. - SUITES 1 & 2
 SEDONA COMMONS - BUILDING #7
 WEST PALM BEACH, FLORIDA

DRAWN
 GUT
 CHECKED
 KUOPPALA
 DATE
 APRIL 21, 2016
 SCALE
 AS NOTED
 COMM. NO.
 16-07
 SHEET
A-3



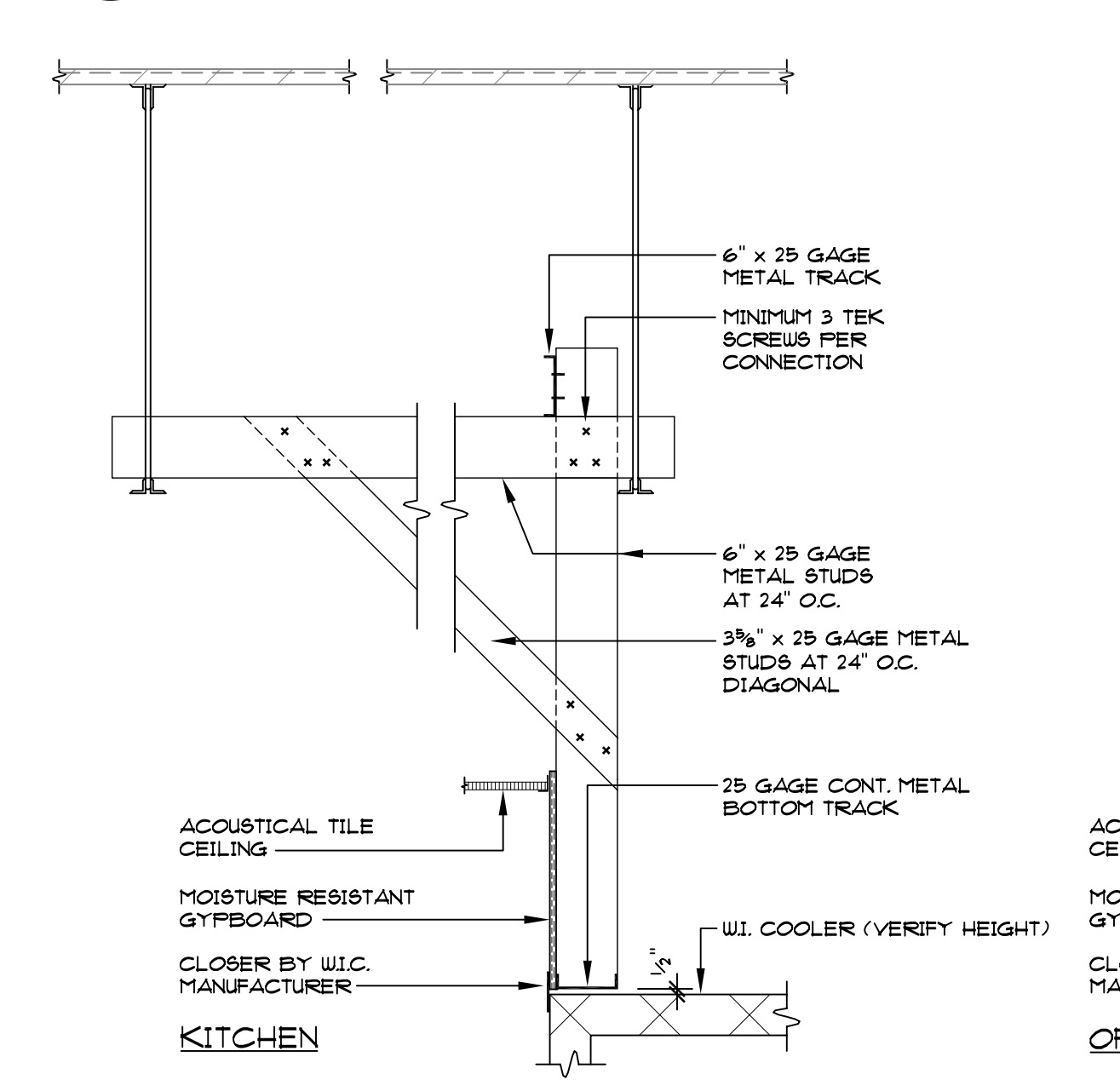
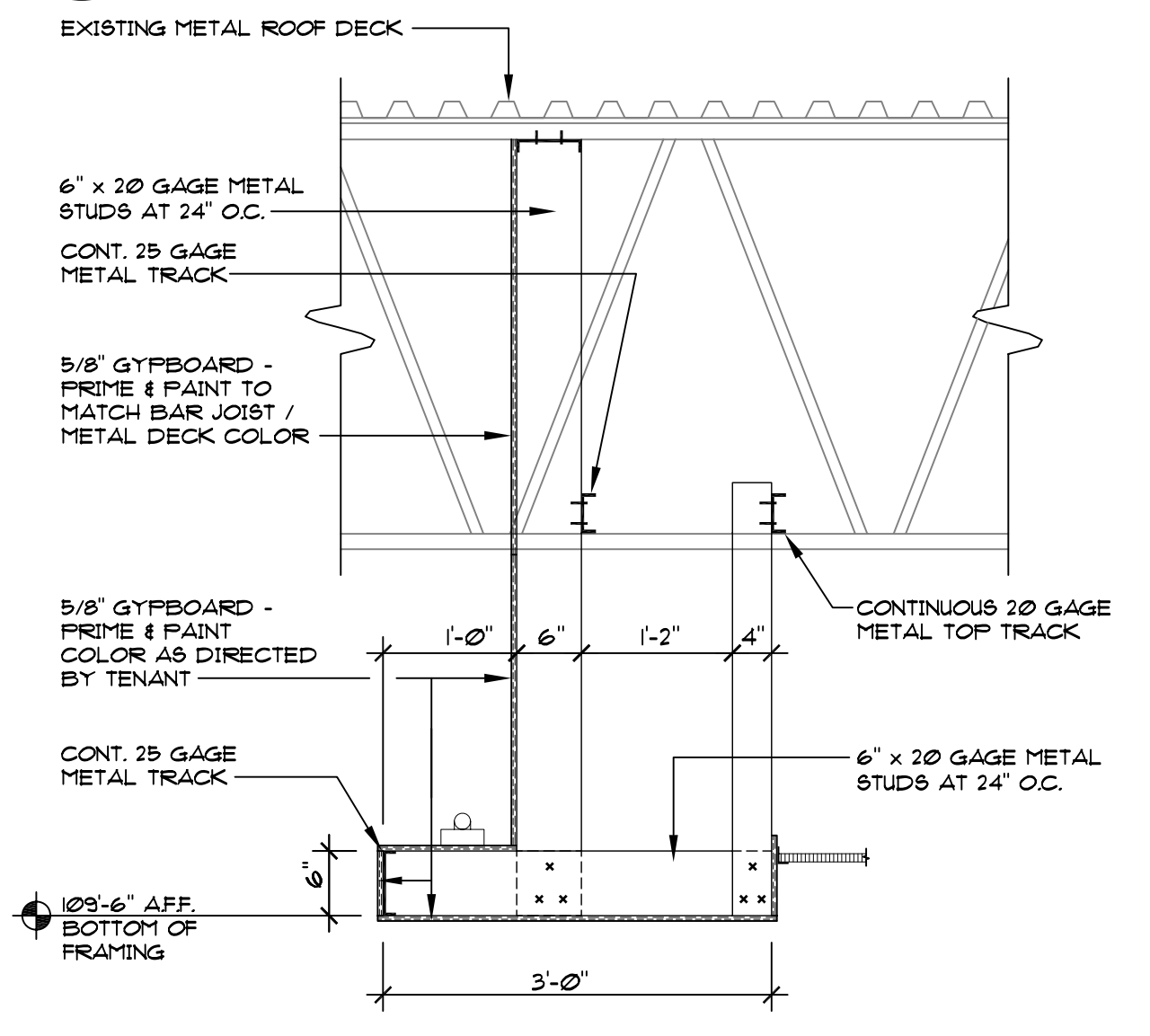
A NOT USED
 A3 3/4" = 1'-0"

B SECTION AT SOFFIT
 A3 3/4" = 1'-0"



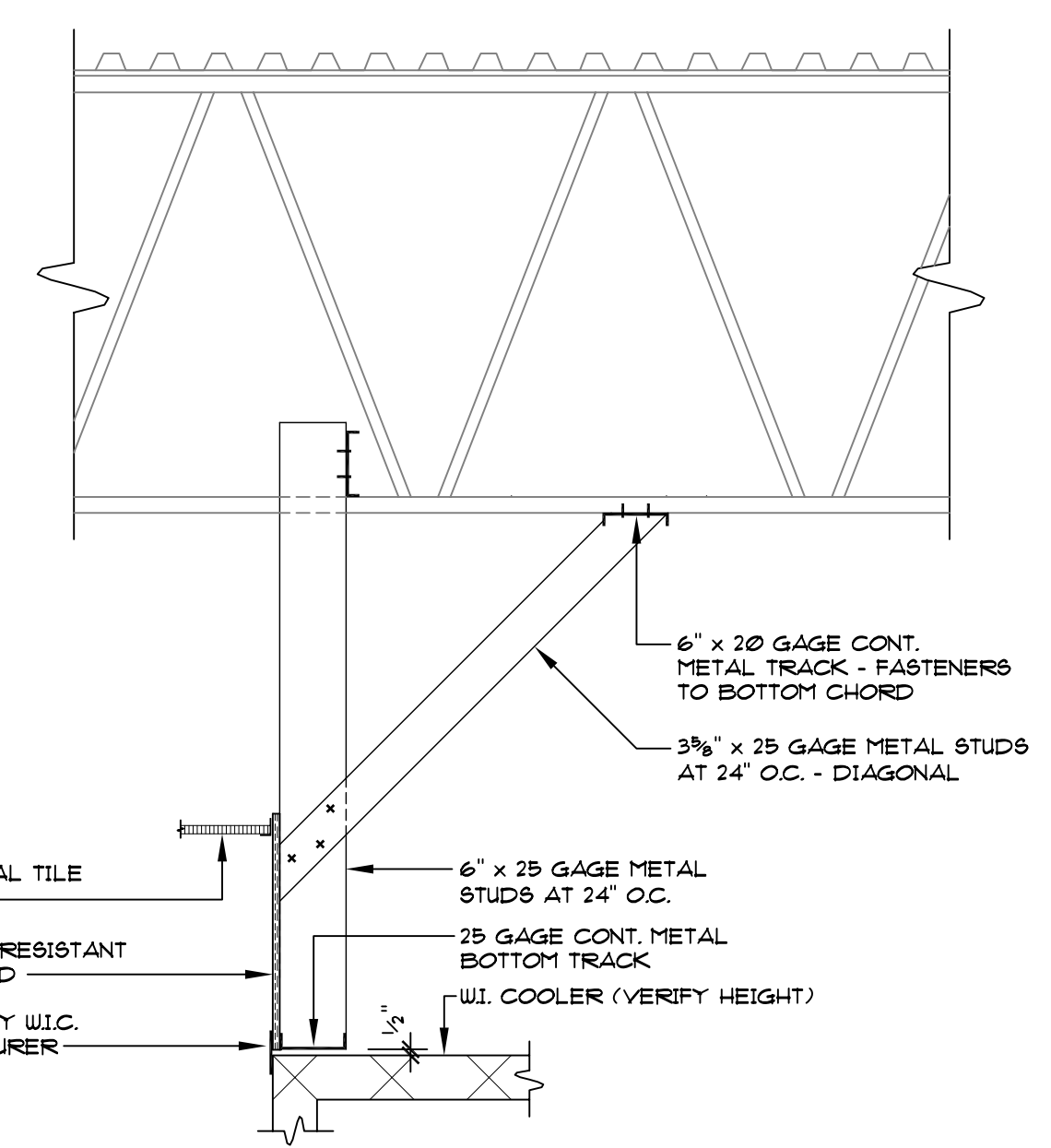
C SECTION AT SOFFIT
 A3 3/4" = 1'-0"

D SECTION AT SOFFIT
 A3 3/4" = 1'-0"

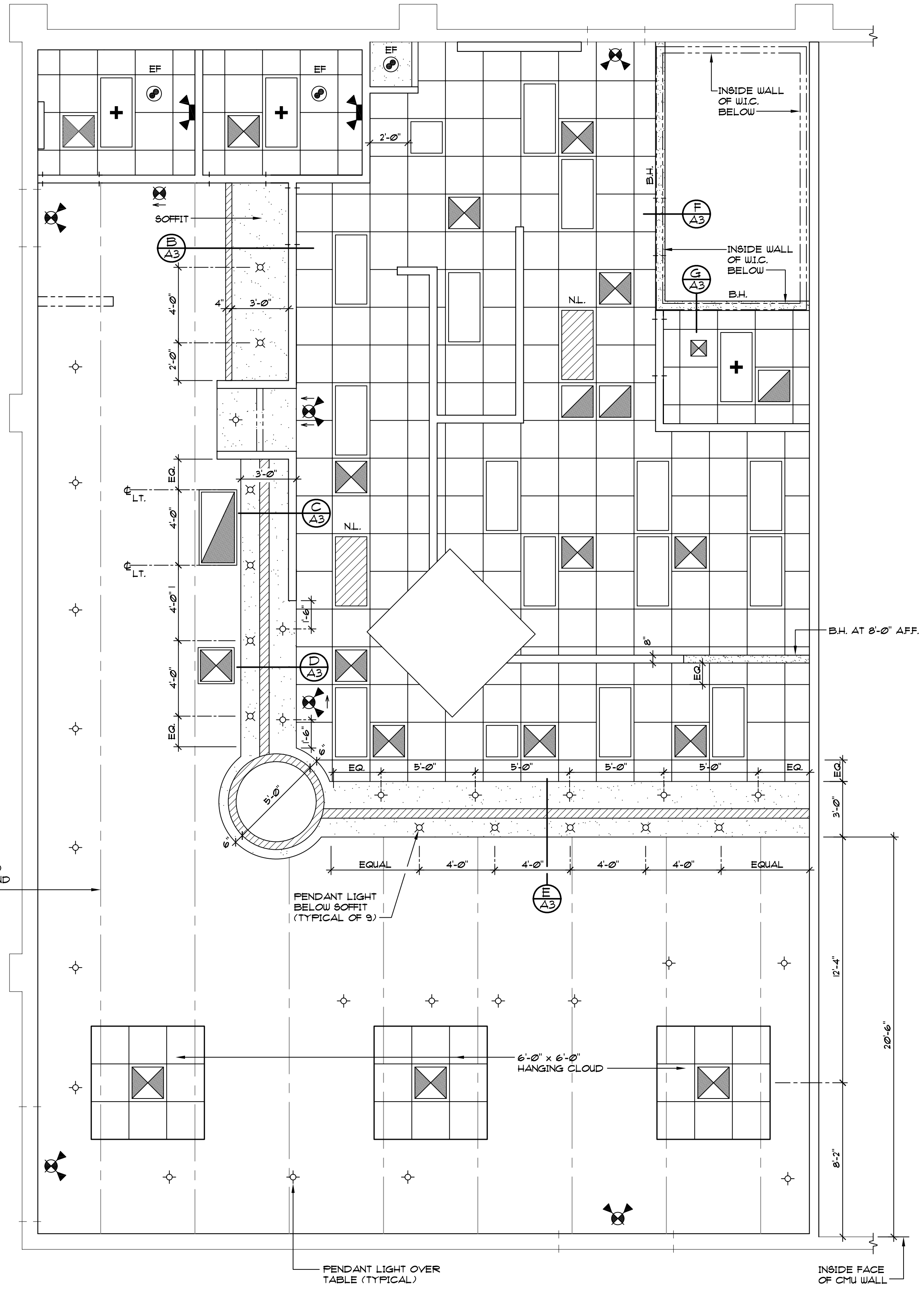


E SECTION AT SOFFIT
 A3 3/4" = 1'-0"

F SECTION AT BULKHEAD
 A3 3/4" = 1'-0"



G SECTION AT BULKHEAD
 A3 3/4" = 1'-0"



REFLECTED CEILING PLAN
 1/4" = 1'-0"

- REFLECTED CEILING PLAN NOTES:**
- 1.) No fire sprinklers at this project.
 - 2.) + denotes center of room and starting location of grid.
 - 3.) Areas above acoustical tile ceiling are not return air plenums.
 - 4.) Metal roof deck has insulation and built-up roof above from shell construction.
 - 5.) Clouds shall be 6' X 6' X 6" Armstrong Square units with Axiom Profile Trim, 15/16" Prelude XL grid and #704 Cortega Angled Tegular tiles with all accessories for a complete installation. Mounting height = 12'-0" A.F.F. Color selected by owner.

LEGEND

LIGHT IN ACOUSTICAL TILE CEILING	
SURFACE MOUNTED LIGHT	
EXIT LIGHT	
DUAL HEAD EMERGENCY LIGHT	
EXIT/EMERGENCY LIGHT	
NIGHT LIGHT	
SUPPLY AIR GRILLE	
RETURN AIR GRILLE	
EXHAUST GRILLE	
RECESSED HI-HAT OR PENDANT LIGHT	