

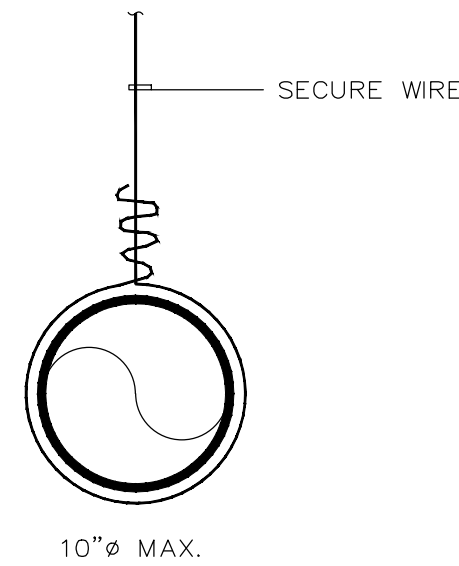
HVAC GENERAL NOTES

- GENERAL
 - ALL WORK SHALL BE DONE IN ACCORDANCE WITH THE FLORIDA BUILDING CODE AND WITH ALL APPLICABLE REGULATIONS.
 - DRAWINGS: REFER TO ALL DRAWINGS FOR COORDINATION OF THE HVAC WORK.
 - ARRANGE AND PAY FOR ALL PERMITS, LICENSES, INSPECTIONS AND TESTS. OBTAIN THE REQUIRED CERTIFICATES AND PRESENT TO OWNER.
 - GUARANTEE: THE COMPLETED INSTALLATION SHALL BE FULLY GUARANTEED AGAINST DEFECTIVE MATERIALS AND/OR IMPROPER WORKMANSHIP FOR A MINIMUM OF ONE YEAR FOR MATERIAL AND LABOR. ALL COMPRESSORS SHALL BE GUARANTEED FOR 5 YEARS MINIMUM.
- SHOP DRAWINGS: CONTRACTORS SHALL SUBMIT FOR APPROVAL, WITHIN 30 DAYS AFTER SIGNING CONTRACT, A MINIMUM OF FIVE COPIES OF FULLY DESCRIPTIVE LITERATURE, INCLUDING BUT NOT LIMITED TO: AIR CONDITIONING UNITS, FANS AND AIR OUTLETS. NO WORK SHALL PROCEED WITHOUT APPROVAL OF THESE SUBMITTALS.
- DESIGN PARAMETERS:
 - INDOOR DESIGN TEMPERATURE (SUMMER): 78F DB
 - INDOOR DESIGN TEMPERATURE (WINTER): 72F DB
- ALL THERMOSTATS SHALL HAVE HEATING MODE MAXIMUM SETTING OF 75 F, AND COOLING MODE MINIMUM SETTING OF 70 F. THE THERMOSTAT SHALL BE ARRANGED TO PREVENT THE SIMULTANEOUS OPERATION OF HEATING AND COOLING.
- ELECTRICAL CONTROLS AND POWER WIRING: UNDER ELECTRICAL CONTRACT.
- EQUIPMENT SPECIFIED BY MANUFACTURER'S NUMBER SHALL INCLUDE ALL ACCESSORIES, CONTROLS, ETC., LISTED IN THE CATALOG AS STANDARD WITH THE EQUIPMENT. OPTIONAL OR ADDITIONAL ACCESSORIES SHALL BE FURNISHED AS SPECIFIED.
- MATERIALS:
 - REFRIGERANT PIPING: SHALL BE TYPE L SOFT DRAWN, COPPER TUBING, DEHYDRATED FOR REFRIGERANT USE. SIZED AS SHOWN ON DRAWINGS OR AS PER AIR CONDITIONING EQUIPMENT MANUFACTURER'S RECOMMENDATIONS.
 - INSULATION: REFRIGERANT SUCTION PIPING AND CONDENSATE PIPES SHALL BE INSULATED WITH 3/4" THICK FOAMED PLASTIC INSULATION, FIRE RETARDANT TYPE. INSULATION SHALL BE INSTALLED IN PIPING BEFORE ASSEMBLY. NO SPLIT INSULATION WILL BE ACCEPTABLE. SEAL JOINTS WITH MANUFACTURER'S APPROVED ADHESIVE AND GREY TAPE.
 - DUCTWORK:
 - ALL SUPPLY AIR DUCTWORK SHALL BE 1-1/2" THICK FIBERGLASS DUCTBOARD, FABRICATED AND INSTALLED AS PER LATEST EDITION OF SMACNA "FIBROUS GLASS DUCT MANUAL", R-6.0 MIN.
 - ALL OUTDOOR AND EXHAUST AIR DUCTWORK SHALL BE GALVANIZED SHEET METAL OR ALUMINUM DUCT NOT LIGHTER THAN 24 GAUGE.
 - ALL DUCT DIMENSIONS ARE CLEAR INSIDE DIMENSIONS.
 - FLEXIBLE INSULATED DUCTWORK WITH 1-1/2" THICK FIBERGLASS INSULATION WITH FRK VAPOR BARRIER. R-6.0 MIN.
- CONTROLS: AIR CONDITIONING UNITS SHALL BE STARTED AND STOPPED THRU INDIVIDUAL PROGRAMMABLE THERMOSTAT. INDIVIDUAL THERMOSTATS SHALL START/STOP FANS AND ACTIVATE COOLING/HEATING SYSTEMS AS SELECTED.
- TEST AND BALANCE: CONTRACTOR SHALL TEST AND BALANCE ALL VENTILATION AND AIR CONDITIONING SYSTEMS. SUBMIT FOUR COPIES OF TEST AND BALANCE REPORT, TO OWNER FOR APPROVAL.
- ALL WORK SHALL BE COORDINATED WITH OTHER TRADES TO AVOID ANY INTERFERENCES THAT MAY DELAY PROGRESS OF CONSTRUCTION. CONTRACTOR SHALL INSTALL ALL NECESSARY OFFSETS, BENDS, AND TRANSITIONS REQUIRED TO PROVIDE A COMPLETE SYSTEM AT NO ADDITIONAL COST TO OWNER.

AIR DISTRIBUTION SCHEDULE

DIFFUSER TYPE				
A	DIFFUSER CFM			
TAG	MANUFACTURER & MODEL NO.	NECK SIZE	CFM	NOTES:
A	MATCH EXISTING	6 8 10	0-100 101-299 300-450	ALUMINUM CEILING DIFFUSER LOUVERED FACE OPPOSED BLADE DAMPER 12x12 MODULE BORDER TYPE 1 (SURFACE) NC LEVEL < 30
B	MATCH EXISTING	24x24 6 8 10	0-800 0-100 101-299 300-450	ALUMINUM PERFORATED RETURN PANEL 1/2x1/2x1/2 CORE BORDER TYPE 1 (SURFACE) NC LEVEL < 30

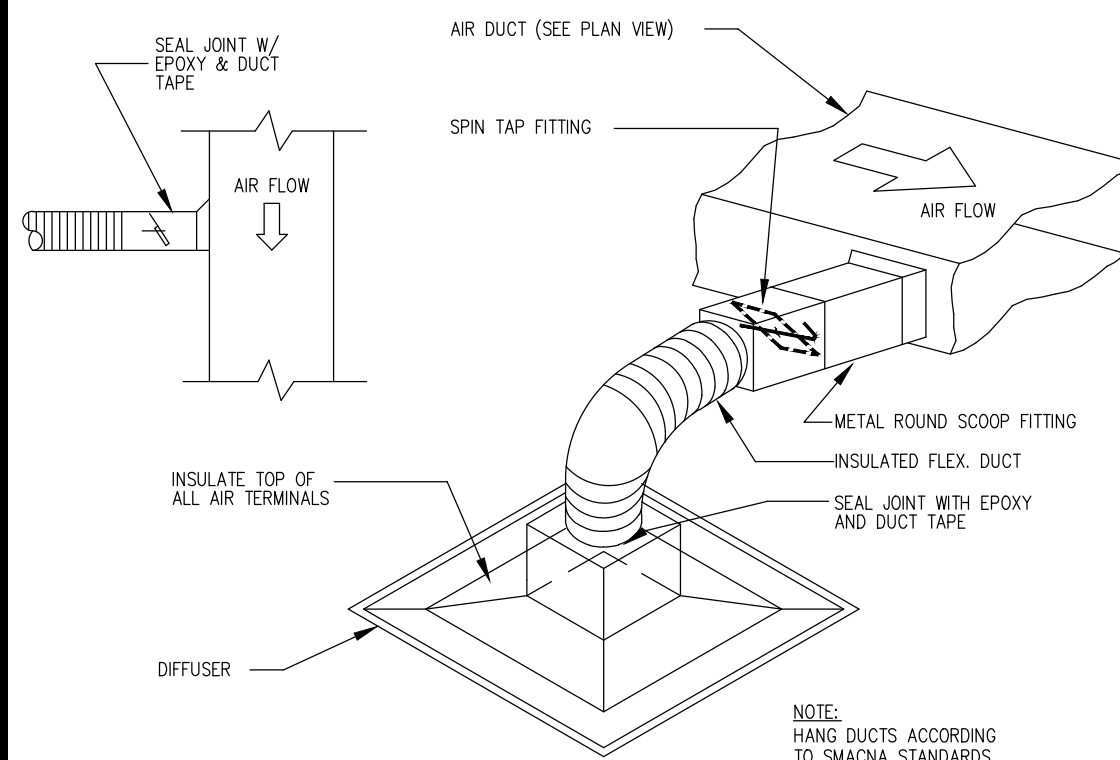
- NOTES:
- ALL FINISHES TO BE WHITE UNLESS OTHERWISE DIRECTED BY THE OWNER OR ARCHITECT.



METHODS OF HANGING DUCTS DETAIL
N.T.S.

LEGEND

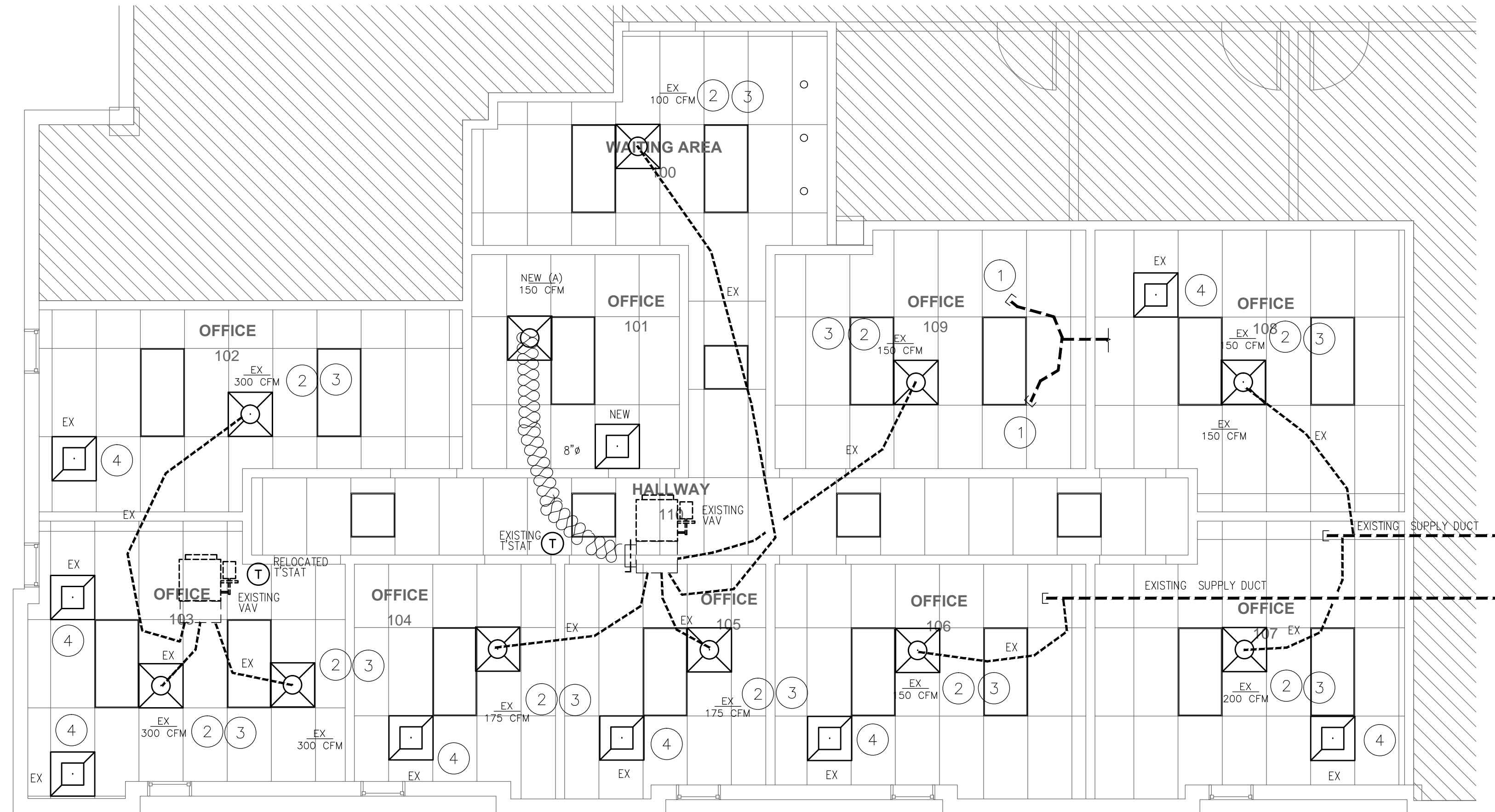
- CEILING SUPPLY DIFFUSER
- MANUAL VOLUME DAMPER
- PROVIDE PROGRAMABLE T-STAT.
- NEW FLEXIBLE DUCT, U.L. CLASS 1 (R-6)
- NEW FIBERGLASS DUCT (R-6)
- 2-HR RATED FIRE DAMPER



FLEXIBLE DUCT CONNECTION DETAIL
N.T.S.

DRAWING KEYNOTES

- CAP EXISTING BATHROOM EXHAUST AS REQUIRED
- ADJUST CFM TO VALUE AS SHOWN.
- RELOCATED EXISTING SUPPLY DIFFUSER TO NEW LOCATION AS SHOWN. EXTEND FLEX DUCT AS REQUIRED
- RELOCATED EXISTING RETURN GRILL TO NEW LOCATIONS AS SHOWN.



scale: 1/4" = 1'-0"



CCS
ARCHITECTURAL ENTERPRISES, INC.
499 East Palmetto Park Rd.
Suite 204
Boca Raton, FL 33432
T 561.479.9884
www.ccsarch.com
Florida Registration Number
AA26001852

CONSULTANTS:

ELECTRICAL, MECHANICAL,
PLUMBING:
AMERICAN UNITED ENGINEERS
4508 SW 24TH STREET
FORT LAUDERDALE, FL 33317
PHONE: (954) 471-8657

SUITE 300
WORLD EXECUTIVE CENTER
3500 N STATE ROAD 7
LAUDERDALE LAKES, FL 33319

INTERIOR IMPROVEMENTS

FINAL CONSTRUCTION DOCUMENTS

PROJECT NUMBER: 2016.02
DATE: 05-11-16
CAD FILE NO:

ADDENDA/REVISIONS

SEAL:

CYNTHIA C. SPRAY, AIA AR-94167

DRAWING TITLE:
MECHANICAL PLAN

DRAWING NO: **M-1**

I HEREBY CERTIFY THAT THESE PLANS
WHERE PREPARED BY ME OR UNDER
MY SUPERVISION, AND TO THE BEST
OF MY KNOWLEDGE, COMPLY WITH
ALL APPLICABLE CODES.

project no.
1624.00

seal

Viet Bach Nguyen, PE
LICENSE NO. 68753
STATE OF FLORIDA

date

AMERICAN UNITED
Engineers Inc.
Dedicated to Excellence

AUE 4508 SW 24th Street
Fort Lauderdale, FL 33317
Tel: (954) 471-8657
american-eng@comcast.net
CA # 29803