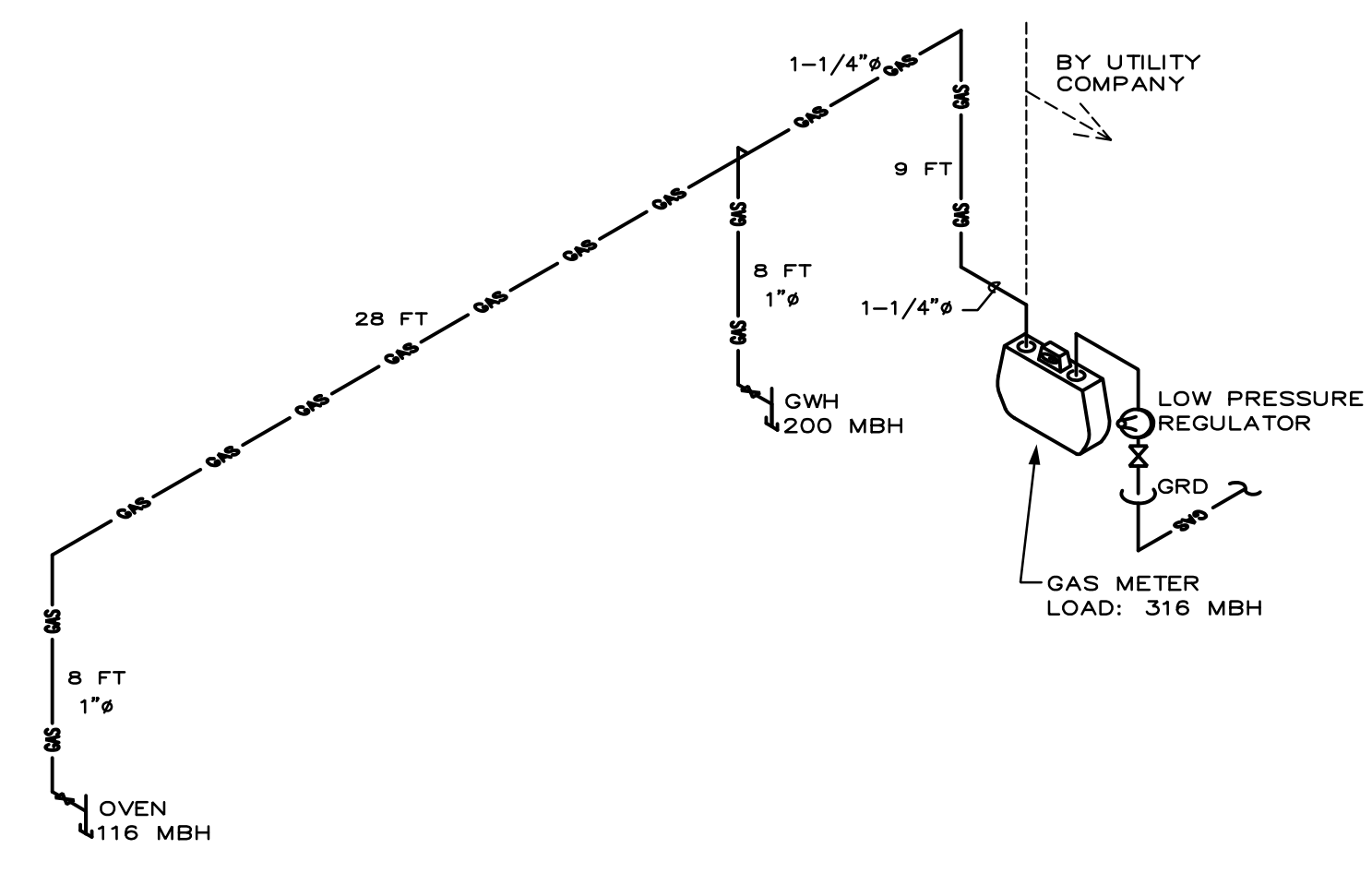
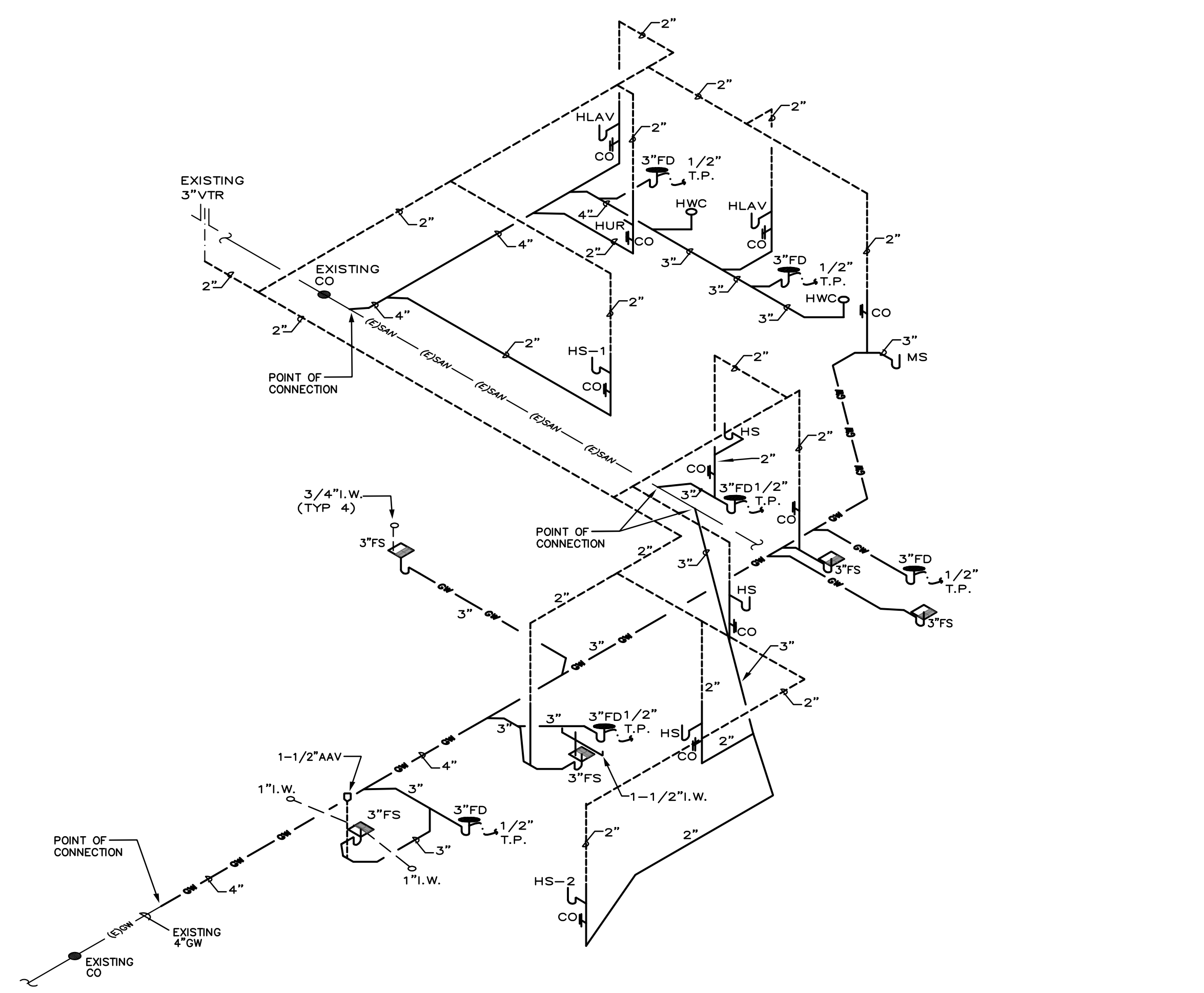
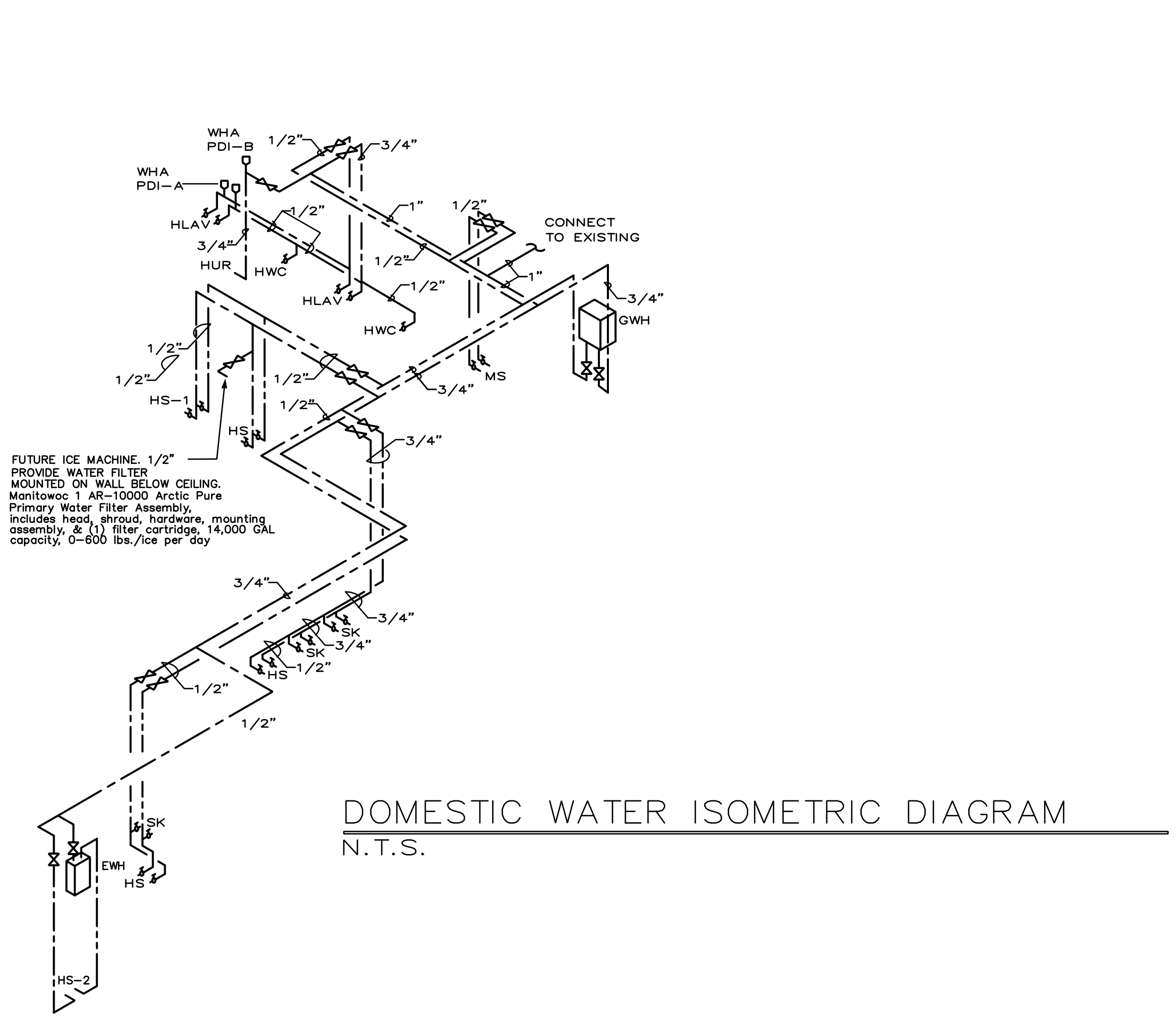


REVISIONS	BY



- GAS SIZING BASED ON THE FOLLOWING:**
- | | |
|------------------------------------|-----------------------------|
| 1. FLORIDA BUILDING CODE- FUEL GAS | = TABLE 402.4(2) |
| 2. PIPE MATERIAL | = SCHEDULE 40 METALLIC PIPE |
| 3. GAS TYPE | = NATURAL |
| 2. INLET PRESSURE | = 0.5 PSI OR LESS |
| 3. PRESSURE DROP | = 0.5 INCH WATER COLUMN |
| 4. SPECIFIC GRAVITY | = 0.6 |
| 5. MAXIMUM DEVELOPED LENGTH | = 46 FEET |
| 6. TOTAL GAS LOAD | = 316 MBH |

KUOPPALA & ASSOCIATES, P.A.
ARCHITECTS
ROBERT E. KUOPPALA
FLORIDA ARCHITECT #09481
925 SOUTH MILITARY TRAIL, SUITE D-10
WEST PALM BEACH, FLORIDA 33415
(561) 682-1909-OFF.
(561) 682-1975-FAX.

INTERIOR IMPROVEMENTS
FIRED UP PIZZA
8170 OKEECHOBEE BLVD. - SUITES 1 & 2
SEDONA COMMONS - BUILDING #7
WEST PALM BEACH, FLORIDA

DRAWN	MB
CHECKED	MB
DATE	APRIL 26, 2016
SCALE	AS NOTED
COMM. NO.	16-07
SHEET	

MICHAEL A. BASSFORD
2107 N.E. 17TH AVENUE
WILTON MANORS, FL 33305
PHONE: (954) 298-0700
Email: mbassford@aol.com