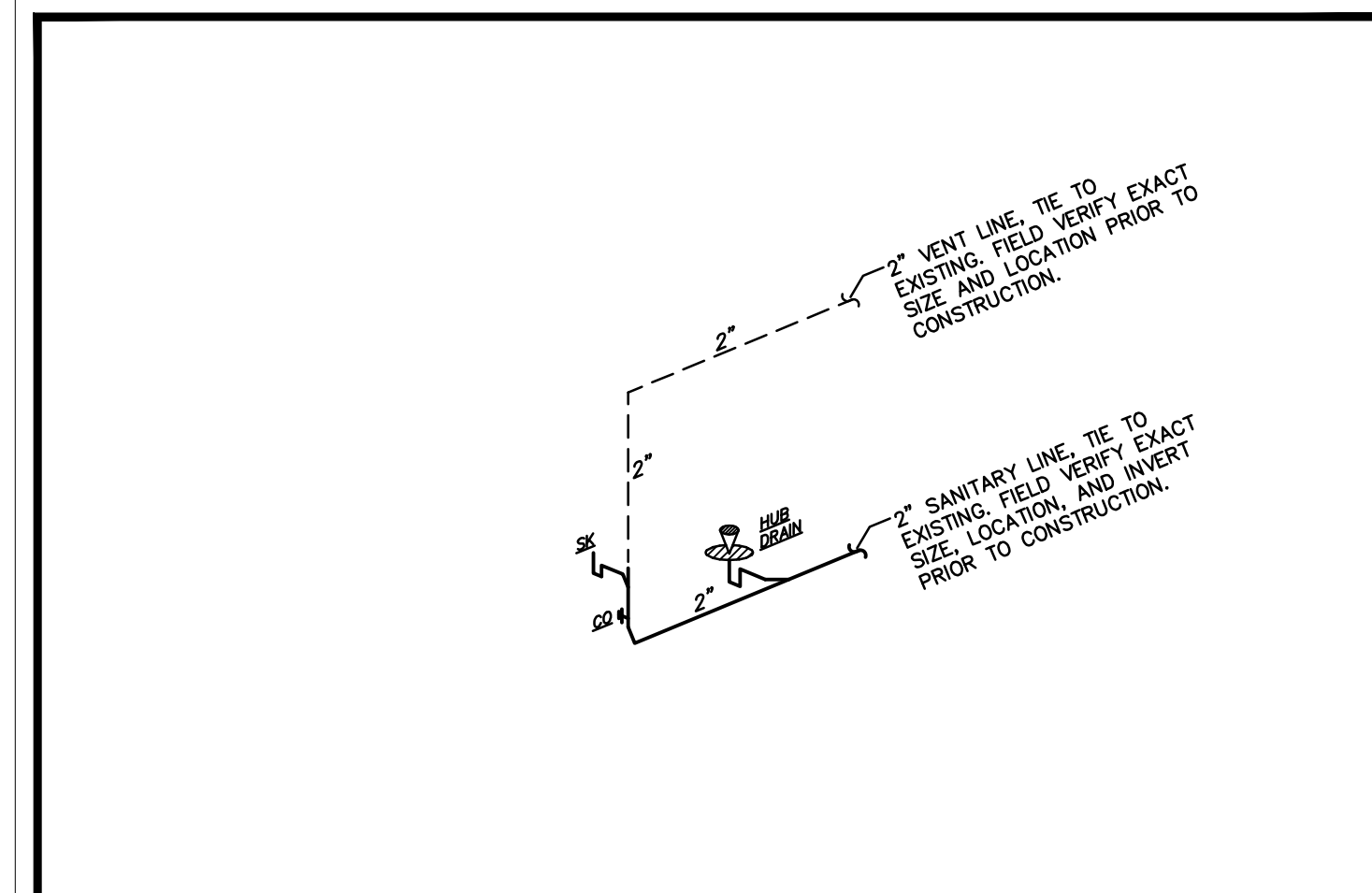
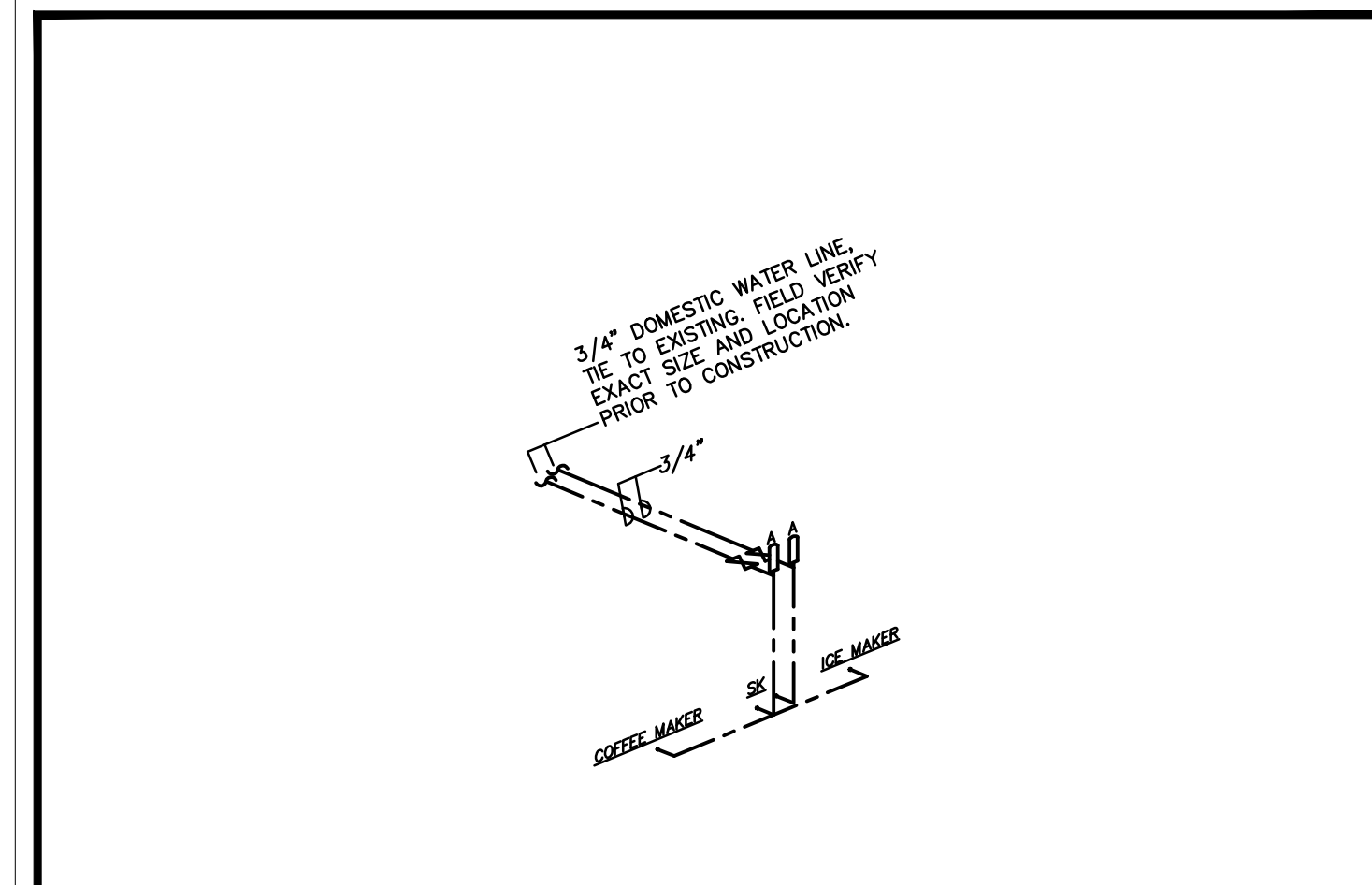


PLUMBING FIXTURE SCHEDULE

SK	SINGLE STAINLESS STEEL SINK, 25 X 22 DAYTON MODEL #K-12522 WITH A MOEN FAUCET # 8799 KITCHEN 5-9/16" SPREAD GOOSENECK WITH 4" WRIST BLADE FAUCET HANDLES.
GENERAL NOTES:	
(1) - FIXTURES SHALL BE AS SHOWN OR EQUAL.	
(2) - ALL FIXTURES SHALL COMPLY WITH TABLE 604.4 OF FBC 2014	
(3) - ALL FIXTURE TRIM PACKAGES INCLUDING BUT NOT LIMITED TO TRAP, ANGLE STOP, FLUSH VALVE, SUPPLY TUBES, AND CLEANOUT COVER PLATES SHALL BE OF THE SAME FINISH AS THE ABOVE SPECIFIED FAUCET AND PER ARCHITECTURAL FINISH SCHEDULE.	
(4) - ALL FIXTURES SHALL BE ROUGHED IN PER MANUFACTURER CUT SHEET TO MAINTAIN UNIFORMITY.	



SANITARY ISOMETRIC
N.T.S.



DOM. WATER ISOMETRIC
N.T.S.

PLUMBING NOTES

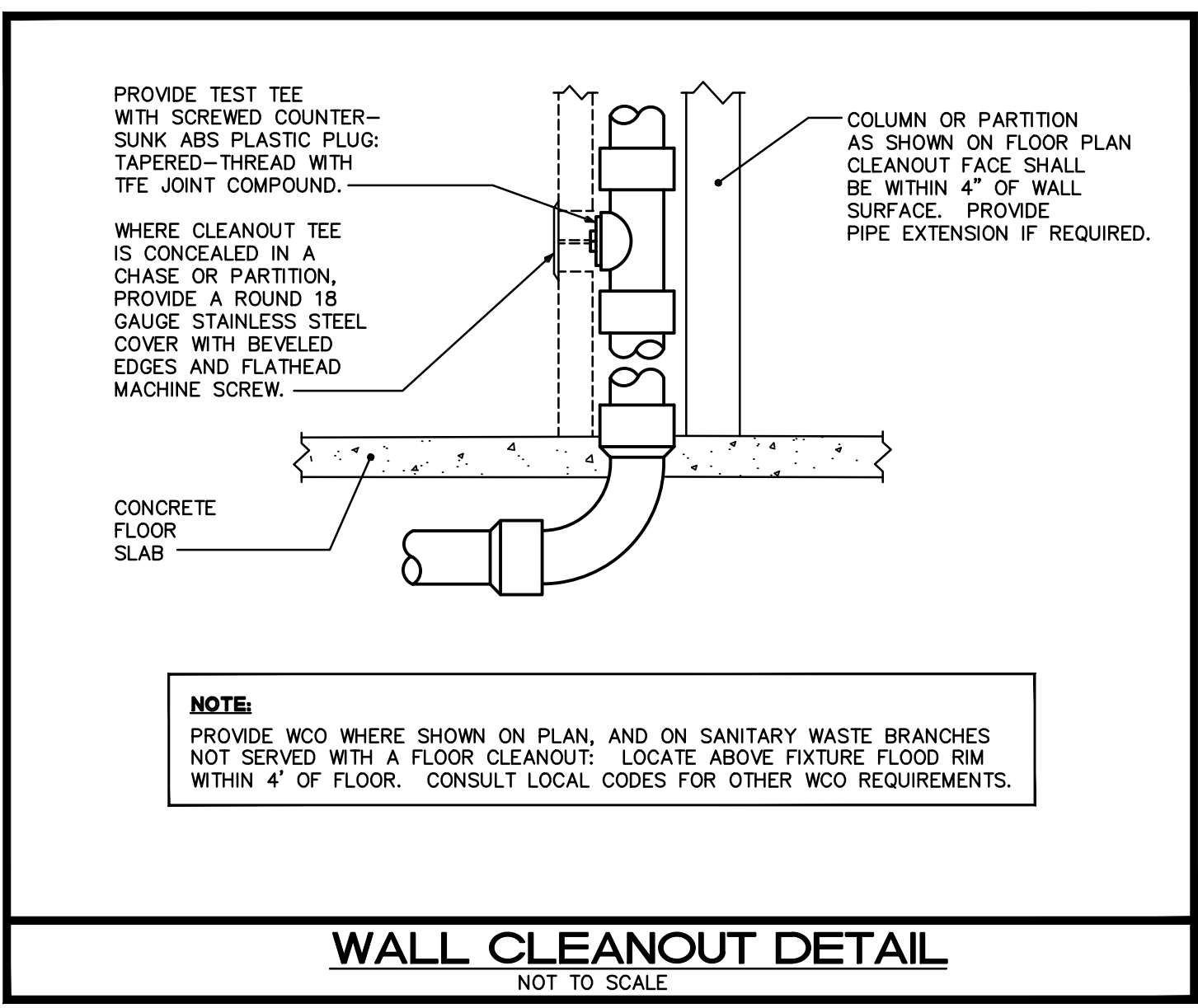
1. ALL WORKMANSHIP AND MATERIALS SHALL BE IN STRICT ACCORDANCE WITH FBC 2014, APPLICABLE LOCAL CODES, RULES AND ORDINANCES.
2. PLUMBING CONTRACTOR SHALL VISIT THE JOB SITE AND THOROUGHLY FAMILIARIZE HIMSELF WITH ALL EXISTING CONDITIONS.
3. ALL MATERIALS SHALL BE NEW.
4. ALL WORK SHALL BE PERFORMED BY A LICENSED PLUMBING CONTRACTOR IN A FIRST CLASS WORKMANLIKE MANNER. THE COMPLETED SYSTEM SHALL BE FULLY OPERATIVE. ALL EXCAVATION AND BACKFILL AS REQUIRED FOR THIS PHASE OF CONSTRUCTION SHALL BE A PART OF THIS CONTRACT.
5. REQUIRED INSURANCE SHALL BE PROVIDED BY THE PLUMBING CONTRACTOR FOR PROTECTION AGAINST PUBLIC LIABILITY AND PROPERTY DAMAGE FOR THE DURATION OF THE WORK.
6. PLUMBING CONTRACTOR SHALL SECURE AND PAY FOR ALL PERMITS, FEES, INSPECTION AND TESTS, PLUMBING CONTRACTOR TO OBTAIN PERMIT AND APPROVED SUBMITTALS PRIOR TO BEGINNING WORK OR ORDERING EQUIPMENT. PLUMBING CONTRACTOR MUST BE PRESENT FOR ALL INSPECTIONS OF HIS WORK BY REGULATORY AUTHORITIES.
7. DRAWINGS ARE DIAGRAMMATIC. DO NOT SCALE FOR THE EXACT LOCATION OF FIXTURES, PIPING, EQUIPMENT, ETC.
8. ALL WORK SHALL BE COORDINATED WITH OTHER TRADES TO AVOID INTERFERENCE WITH THE PROGRESS OF CONSTRUCTION. REPORT ANY DISCREPANCY TO ENGINEER/ARCHITECT PRIOR TO BEGINNING CONSTRUCTION.
9. VERIFY LOCATION, SIZE, DIRECTION OF FLOW AND INVERTS OF ALL EXISTING UTILITIES PRIOR TO BEGINNING OF CONSTRUCTION. ADVISE ENGINEER OF ANY DISCREPANCIES.
10. WATER DISTRIBUTION PIPING ABOVE AND BELOW GROUND SHALL BE TYPE "L" COPPER. COORDINATE WITH LOCAL JURISDICTION FOR ADDITIONAL REQUIREMENTS. PROVIDE ALTERNATE FOR CPVC PIPING EQUAL TO BFGOODRICH "FLOWGUARD GOLD" FOR WATER KNOWN OR DETERMINED TO HAVE ACIDIC CHARACTERISTICS. CONTRACTOR SHALL PERFORM A WATER TEST TO DETERMINE WATER CHEMISTRY PRIOR TO ANY WORK OR PIPING INSTALLATION AND SHALL SUBMIT TEST RESULTS TO ENGINEER FOR REVIEW AND APPROVAL.
11. SOIL, WASTE, VENT AND RAINWATER PIPING SHALL BE CAST IRON OR PVC, WHERE CODE ALLOWS. PVC MAY NOT BE USED THRU RATED ASSEMBLIES OR IN PLENUMS.
12. ALL FIXTURES MUST BE PROVIDED WITH READILY ACCESSIBLE STOPS AND APPROPRIATELY MARKED ACCESS PANELS. COORDINATE LOCATIONS WITH GENERAL CONTRACTOR PRIOR TO INSTALLATION.
13. FURNISH AND INSTALL APPROVED WATER HAMMER ARRESTORS FOR ALL (GROUP) PLUMBING FIXTURES, SIZED AND LOCATED PER MANUF.'S INSTALLATION INSTRUCTIONS AND WH-PDI 201.
14. DIELECTRIC COUPLINGS ARE REQUIRED BETWEEN ALL DISSIMILAR METAL IN PIPING AND EQUIPMENT CONNECTIONS.
15. ISOLATE COPPER PIPE FROM HANGER OR SUPPORTS WITH ISOLATOR PADS OR MATERIAL.
16. ALL FIRE RATED FLOOR AND WALL PENETRATIONS SHALL BE PROPERLY PROTECTED FROM FIRE, SMOKE AND WATER PENETRATION BY FILLING VOIDS BETWEEN PIPE AND WALL/FLOOR SLEEVES WITH FIRE RATED FOAM, TO ACHIEVE THE SAME RATING AS WALLS OR FLOORS AS PART OF THE PLUMBER'S WORK.
17. PLUMBING CONTRACTOR SHALL GUARANTEE ALL MATERIALS AND WORKMANSHIP FREE FROM DEFECTS FOR A PERIOD OF NOT LESS THAN ONE (1) YEAR FROM DATE OF ACCEPTANCE BY OWNER. CORRECTION OF ANY DEFECTS SHALL BE COMPLETED WITHOUT ADDITIONAL CHARGE AND SHALL INCLUDE REPLACEMENT OR REPAIR OF ANY OTHER PHASE OF THE INSTALLATION WHICH MAY HAVE BEEN DAMAGED.
18. PROVIDE ACCESS PANELS FOR ALL CONCEALED VALVES AND ALL WATER HAMMER ARRESTORS. ACCESS PANELS IN RATED WALLS MUST MAINTAIN THE SAME RATING AND MUST MATCH THE FINISH OF THE WALL IN WHICH IT IS INSTALLED.
19. PROVIDE COMBINATION COVER PLATE AND CLEANOUT PLUG OR ACCESS PANEL FOR ALL WALL CLEANOUTS FINISH TO MATCH FIXTURE TRIM.
20. NO COMBUSTIBLE MATERIAL TO BE USED IN MECHANICAL ROOMS OR IN CEILING SPACES WHERE USED AS RETURN AIR PLENUMS.
21. NO WATER, SANITARY OR DRAINAGE PIPING PERMITTED IN ELECTRICAL OR ELEVATOR EQUIPMENT ROOMS.
22. ALL CONTROL VALVES SHALL BE TAGGED AND MARKED. A REPRODUCIBLE DIAGRAM LOCATING ALL VALVES SHALL BE PROVIDED FOR OWNER/OPERATOR.
23. ALL CONDENSATE DRAIN PIPING SHALL BE TYPE "L" COPPER WITH ARMAFLEX INSULATION PER TABLE 4-11 F.B.C. 2014 WHERE USED IN A RETURN AIR PLENUM. PVC PIPING WITH ARMAFLEX INSULATION MAY BE USED IN LOCATIONS WHERE ALLOWED BY LOCAL CODES. SEE PLUMBING DRAWINGS FOR SIZE AND LOCATION OF PIPING.
24. CONDENSATE LINES SHALL NOT DRAIN ON THE ROOFING SYSTEM OR ANY OF ITS COMPONENTS AND CONDENSATE LINES NEED NOT COMPLY WITH MIN. CLEARANCE REQUIREMENTS PER FBC 2014, PAR. 1522.3.5
25. PROVIDE ANGLE STOPS ON ALL WATER SERVICE LINES TO FIXTURES FOR INDIVIDUAL SHUT-OFF.
26. PROVIDE TRAP PRIMER FOR ALL FLOOR DRAINS, FLOOR SINKS, AND HUB DRAINS SHOWN ON PLANS. IF SPECIFICATION IS NOT PROVIDED, SUPPLY PRECISION PLUMBING PRODUCTS MODEL #PR-500. INSTALL PER MANUFACTURERS RECOMMENDATIONS.
27. WATER PIPING INSULATION SHALL BE ARMAFLEX OR EQUAL INSTALLED IN ACCORDANCE WITH MANUFACTURERS INSTRUCTIONS FOR ALL HOT WATER PIPING. WHERE DOMESTIC WATER TEMPERATURES CAN CAUSE SWEATING ALL COLD WATER PIPING SHALL BE INSULATED WITH ARMAFLEX INSULATION, THICKNESS AS PER TABLE 4-11 OF FLORIDA ENERGY CODE.
28. STUDDOR MINI/MAXI AIR ADMITTANCE VALVES MAY BE USED AS AN ALTERNATE TO VENT PIPING THRU ROOF WHERE ACCEPTABLE BY THE PLUMBING OFFICIAL AND LOCAL CODES. INSTALLATION SHALL BE AS PER MANUFACTURER'S RECOMMENDATIONS.
29. ALL HORIZONTAL RAINWATER PIPING THAT RECEIVES CONDENSATE DISCHARGE FROM AIR CONDITIONING EQUIPMENT SHALL BE INSULATED WITH 1" THK. ARMAFLEX.
30. PLUMBING PLANS IN GENERAL, ARE DIAGRAMMATIC IN NATURE, AND ARE TO BE READ IN CONJUNCTION WITH ARCHITECTURAL, MECHANICAL, ELECTRICAL, FIRE SPRINKLER, STRUCTURAL AND CIVIL PLANS AND SHALL BE CONSIDERED AS ONE SET OF DOCUMENTS. PIPING MODIFICATIONS SUCH AS OFFSETS, BENDS, TRANSITIONS, AND SIZES SHALL BE REQUIRED TO PROVIDE AND INSTALL A COMPLETE FUNCTIONAL SYSTEM AND SHALL BE PROVIDED BY THE CONTRACTOR AT NO ADDITIONAL COST TO THE OWNER. CHANGES IN PIPE SIZES AND ROUTING SHALL BE REQUIRED BY THE CONTRACTOR TO AVOID CONFLICTS AND TO ADAPT TO EXISTING FIELD CONDITIONS PROVIDED THAT INSTALLATION MEETS ALL APPLICABLE CODES.
31. SUPPLY TRAP PRIMER FOR ALL FLOOR DRAINS, FLOOR SINKS, HUB DRAINS, ETC. SHOWN ON PLANS.
32. CONTRACTOR TO FIELD VERIFY ALL SUPPLY PRESSURE REQUIREMENTS AND LIMITATIONS. PROVIDE PRESSURE REDUCING VALVE IF REQUIRED.

PLUMBING SHEET INDEX

SHEET#	DESCRIPTION
P0.1	PLUMBING NOTES, LEGENDS, DETAILS, & ISOMETRICS
P2.1	PLUMBING PLAN

PLUMBING LEGEND

CO CLEAN OUT		SANITARY SEWER PIPING
S.O.V. SHUT-OFF VALVE		VENT PIPING
COTC CLEAN OUT TO GRADE		DOMESTIC COLD WATER PIPING
FS FLOOR SINK		HOT WATER PIPING (110°)
CW DOMESTIC COLD WATER		HOT WATER PIPING (140°)
HW DOMESTIC HOT WATER		HOT WATER RECIRCULATING PIPING
HWR DOMESTIC HOT WATER RECIRCULATING		CONDENSATE PIPING
HB HOSE BIBB		COMPRESSED AIR PIPING
VTR VENT THRU ROOF		TEMPERATURE AND PRESSURE RELIEF
GATE VALVE		STORM DRAIN PIPING
GLOBE VALVE		GAS PIPING
CHECK VALVE		PIPE RISE UP
GAS SOLENOID VALVE		PIPE DOWN OR DROP
GAS COCK		CAPPED END OF PIPE
WATER HAMMER ARRESTER (PDI No.)		POINT OF CONNECTION
FD FLOOR DRAIN		P-TRAP



SHOCK ARRESTOR SCHEDULE

P.D.I. DESIGNATION	MANUF. & MODEL	FIXTURE UNITS	CONNECTION
A	SIoux CHIEF 652-A	1-11	1/2"
B	SIoux CHIEF 653-B	12-32	3/4"
C	SIoux CHIEF 654-C	33-60	1"

SIoux CHIEF SHOCK ARRESTORS APPROVED FOR INSTALLATION WITH NO ACCESS DOOR REQUIRED. CONFORMS TO ANSI/ASSE 1010 STANDARDS.

SLOPE OF HORIZ. DRAINAGE PIPE

SIZE (Inches)	MINIMUM SLOPE (Inch per foot)
2-1/2 or less	1/4
3 to 6	1/8
8 or larger	1/16

TABLE 704.1 OF THE FLORIDA PLUMBING CODE 2014



RODOLFO ACEVEDO AIA
JAMES R. WILLIAMS AIA
7700 CONGRESS AVE.
SUITE 1114
BOCA RATON, FLORIDA 33487
TEL. 561 997 1244
FAX 561 997 1675

BOCA GROVE PLANTATION
CLUB HOUSE
21351 WHITAKER DRIVE,
BOCA RATON, FL 33433

FLORIDA LICENSURE: AA26002219

PROJECT NO. 15155
DESIGNED BY: RA/JW
DRAWN BY: TD/CE/MA
CHECKED BY: RA/JW
SUBMITTALS:
PERMIT SET 04.07.2016

REVISIONS:

PLUMBING NOTES

ISSUED FOR PERMIT ONLY	04-18-16
KAMM CONSULTING PROJECT # 2016-0292 PROJECT MANAGER: JOHN MAYR	
KAMM Consulting 1408 Orange Avenue Fort Pierce, Florida 34950 Phone 772.595.1744 Fax 772.595.1745 bbrown@kammconsulting.com Certification of Authorization #8189	
PRINCIPAL Brady L. Brown	Florida License #58232
date	04-18-16
signature	_____