

DESCRIPTION

The McGraw-Edison BSL / BRL Bollard Series, available in heights from 24" to 42", has crisp, clean lines which blend with any architectural setting. Constructed of seamless, heavy-duty aluminum and finished with a tough polyester powder coat finish, the McGraw-Edison Louvered Bollard Series is gasketed to seal out external contaminants. U.L. 1598 listed and CSA certified for wet locations.

Bollards are designed for walkways, entranceways, drives and other small-area lighting applications where low mounting heights are desirable.

SPECIFICATION FEATURES

Construction

TOP: Rugged, minimum 5/32" thick cast aluminum top cap secured via a concealed stainless steel allen screw with twist removal mechanism for lamp access. Flow through ventilation assure cool to the touch top. **LOUVERS:** Cast Aluminum Louver blades provide sharp cutoff delivering no direct light above 90°. Louvers are secured to the shaft via tamper stainless steel rods and fasteners. **LOWER HOUSING:** Nominal 1/8" thick aluminum extruded housing. Bollard housing is secured to the base with flathead, counter-sunk screws for smooth, uncluttered appearance. **BASE:** Rugged cast aluminum. Completely concealed.

Electrical

HID High Power Factor ballast for - 20°F starting. CFL Electronic ballast for 0°F starting. Product is factory mounted to the base. Quick disconnects provided between lamp and electrical assembly. Metal Halide and High Pressure Sodium lamp sources up to 100W and up to 42W Compact Fluorescent sources.

Optical

LAMP ENCLOSURE: One piece tempered glass with internal flutes for even disbursement of illumination. Decorative colored glass optional. Globe is fully gasketed via EPDM material. Socket is porcelain, medium-base for HID lamp sources and

Catalog #		Type
Project		
Comments		Date
Prepared by		

polycarbonate/PBT GX24q-3/q-4 base for compact fluorescent lamps.

Mounting

Base mounts onto foundation with three (3) 1/2" x 12 1/2" anchor bolts on a 5" Dia. bolt circle (a centrally located 2 7/8" x 3 1/2" wire entrance opening provided).

Finish

Premium fade and abrasion resistant, TGIC Polyester Powder Coat Finish. Standard colors are Black, Grey, Bronze, White, Dark Platinum and Graphite Metallic. Other finish colors available including all RAL matches.



BSL/BRL BOLLARD

26 - 100W

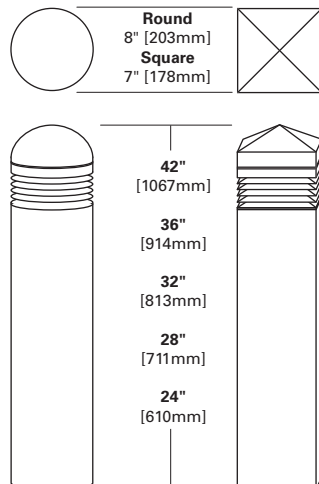
Pulse Start Metal Halide
High Pressure Sodium
Compact Fluorescent
Incandescent

PATHWAY LUMINAIRE



NOTE: In select finishes only.

DIMENSIONS



WATTAGE TABLE

Lamp Type	Wattage
Pulse Start Metal Halide (MP)	50, 70, 100W
High Pressure Sodium (HPS)	35, 50, 70, 100W
Compact Fluorescent (CF)	(1) 26, (1) 32, (1) 42W
Incandescent (IN)	100W

Energy Data

Reactor Ballast Input Watts
35W HPS NPF (46 Watts)

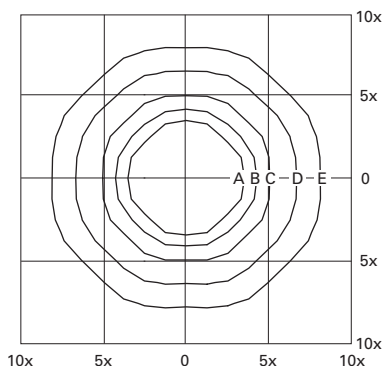
High Reactance Ballast Input Watts

50W HPS HPF (62 Watts)
50W MP HPF (69 Watts)
70W HPS HPF (86 Watts)
70W MP HPF (94 Watts)
100W HPS HPF (115 Watts)
100W MP HPF (129 Watts)
150W HPS HPF (170 Watts)
150W MP HPF (185 Watts)

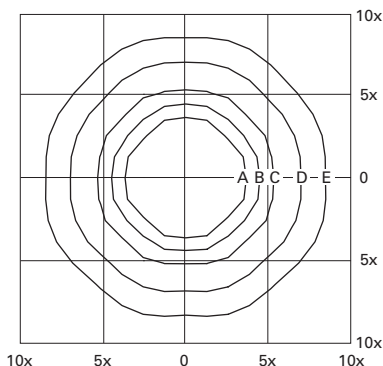
SHIPPING DATA

Approximate Net Weight:
26 lbs. (12 kgs.)

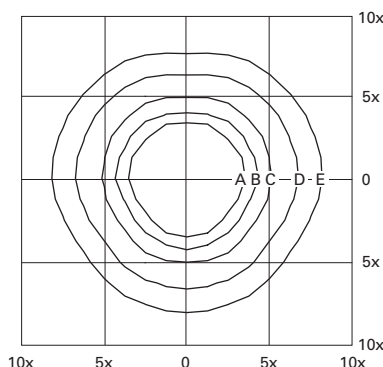
PHOTOMETRICS



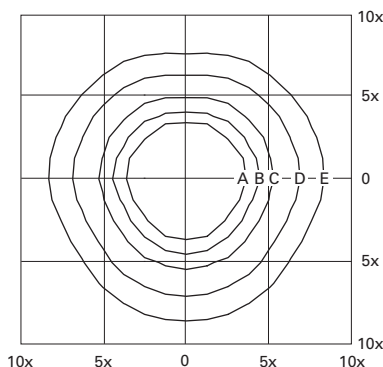
BSL-36-100-MP
100-Watt MP
7,900-Lumen Lamp (Coated ED-17)



BSL-36-100-HPS
100-Watt HPS
8,800-Lumen Lamp (Coated ED-17)



BRL-36-100-MP
100-Watt MP
7,900-Lumen Lamp (Coated ED-17)



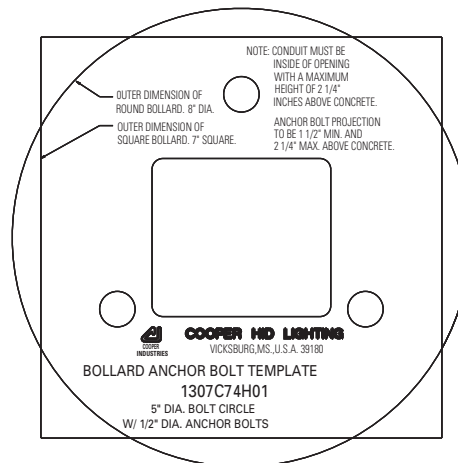
BRL-36-100-HPS
100-Watt HPS
8,800-Lumen Lamp (Coated ED-17)

Footcandle Table

Select mounting height and read across for footcandle values of each isofootcandle line. Distance in units of mounting height.

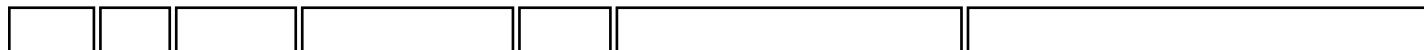
Mounting Height	Footcandle Values for Isofootcandle Lines				
	A	B	C	D	E
42"	1.20	0.60	0.30	0.12	0.06
36"	2.00	1.00	0.50	0.20	0.10
32"	2.40	1.20	0.60	0.24	0.12
28"	3.20	1.60	0.80	0.32	0.16
24"	4.40	2.20	1.10	0.44	0.22

ANCHOR BOLT TEMPLATE (NOT TO SCALE)



ORDERING INFORMATION

Sample Number: **BSL-36-100-MH-MT-BK**



Product Family

BSL=Square Bollard with Stacked Louvers and Pyramidal Top
BRL=Round Bollard with Stacked Louvers and Dome Top

Fixture Height

24=24"
28=28"
32=32"
36=36"
42=42"

Lamp Wattage

MP
50=50W
70=70W
100=100W
HPS
35=35W²
50=50W
70=70W
100=100W
CF
26=(1) 26W
32=(1) 32W
42=(1) 42W
IC
100=100W

Lamp Type

MP=Pulse Start Metal Halide
HPS=High Pressure Sodium
CF=Compact Fluorescent
IC=Incandescent

Voltage

120=120V
208=208V
240=240V
277=277V
347=347V
MT=Multi-Tap⁴
TT=Triple-Tap⁴
UNV=Universal⁵ 120-277V

Color

AP=Grey
BZ=Bronze
BK=Black
WH=White
DP=Dark Platinum
GM=Graphite Metallic

Options

F=Single Fuse (120, 277 or 347V)
FF=Double Fuse (208, 240 or 480V)
L=Lamp Included⁸
R1=Provisional cut for GFI Receptacle⁹
R2=Installed GFI Receptacle⁹
CF/EM=Emergency Battery Pack¹⁰
AB=Aqua Marine Blue Glass Jar
HG=Hunter Green Glass Jar
OR=Orange Glass Jar
RB=Royal Blue Glass Jar
RE=Red Glass Jar

- Notes:**
- HID lamps are medium base. 175W MH is available for non-U.S. markets only.
 - 35W HPS available in 120V only.
 - Products also available in non-US voltages and 50Hz for international markets. Consult factory for availability and ordering information.
 - Multi-Tap ballast is 120/208/240/277V wired 277V. Triple-Tap ballast is 120/277/347V wired 347V.
 - Compact Fluorescent only Electronic ballast universal voltage 120-277V.
 - Other finish colors available, including a full line of RAL color matches. Consult your Cooper Lighting Representative.
 - Add as suffix in the order shown.
 - Coated lamp standard. Must specify clear lamp if desired.
 - Location of R1 and R2 option on housing subject to height of luminaire.
 - CF lamps only, rated minimum operating temperature 32° F (0° C).