

CODE
 ■ FLORIDA BLDG CODE 2014 W/ SUPPLEMENTS
 ■ FLORIDA EXIST. BLDG CODE 2014
 ■ FLORIDA FIRE PREV CODE 2012 5TH EDITION
 ■ NEC 2011

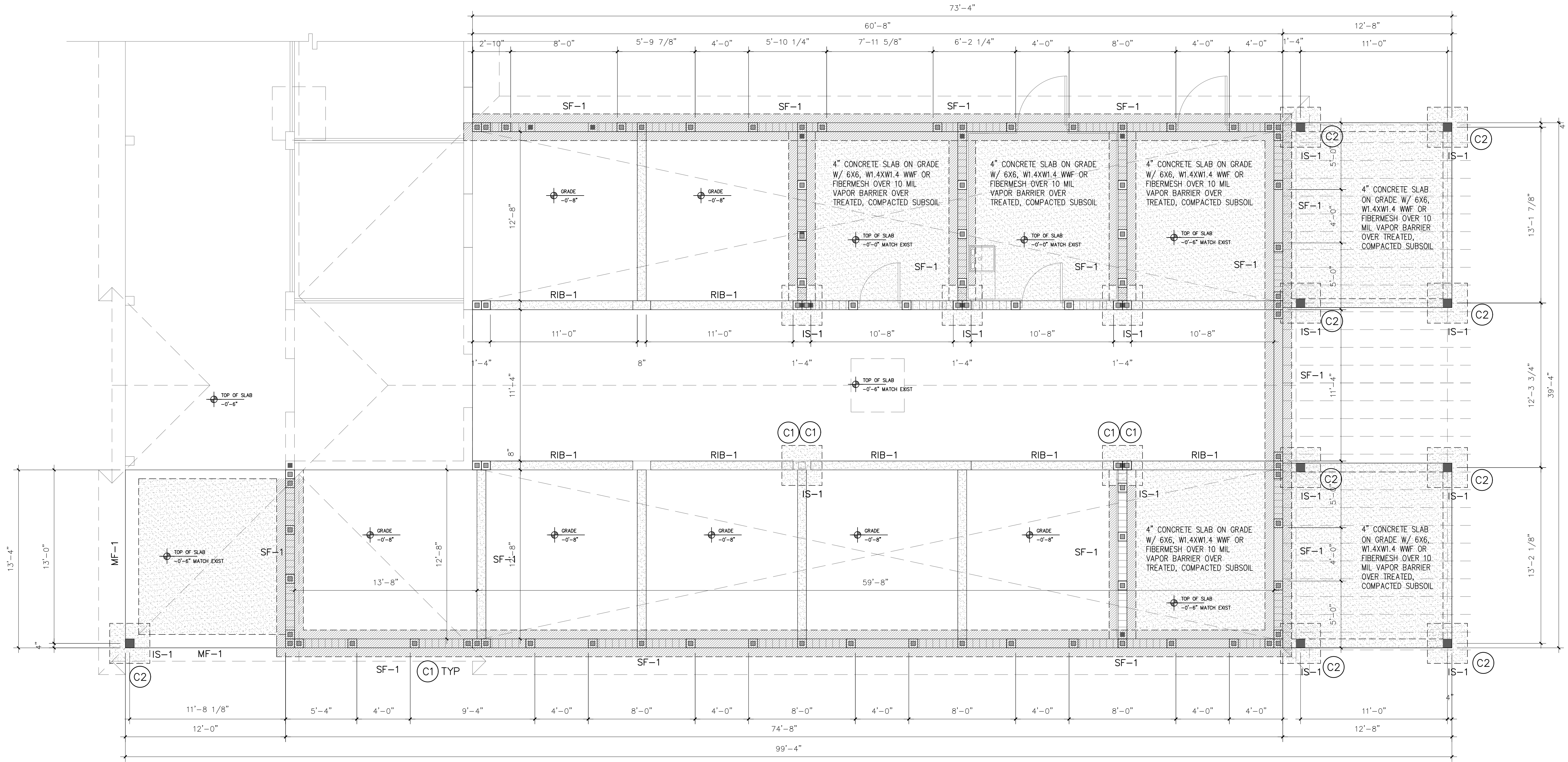
STABLE EXPANSION
 15460 IMPERIAL POINT
 LANE
 WELLINGTON, FL

Revisions:

ALL IDEAS, DESIGNS, ARRANGEMENTS AND PLANS INDICATED OR REPRESENTED BY THIS DRAWING ARE OWNED BY RICHARD BARNES AND THE PROPERTY OF THIS OFFICE AND WERE CREATED, EXAMINED AND DEVELOPED FOR USE ON, AND IN CONNECTION WITH, THE SPECIFIC PROJECT. NONE OF SUCH IDEAS, DESIGNS, AND ARRANGEMENTS OR PLANS SHALL BE USED BY OR OCCASIONED TO ANY PERSON, FIRM OR CORPORATION FOR ANY PURPOSE WHATSOEVER WITHOUT WRITTEN PERMISSION OF RICHARD BARNES. WRITTEN DIMENSIONS ON THESE DRAWINGS SHALL HAVE PRECEDENCE OVER SCALE DIMENSIONS. CONTRACTOR SHALL VERIFY AND BE RESPONSIBLE FOR ALL DIMENSIONS AND CONDITIONS ON THE JOB AND THIS OFFICE MUST BE NOTIFIED OF ANY VARIATIONS FROM THE DIMENSIONS AND CONDITIONS AS SHOWN ON THESE DRAWINGS.

RICHARD BARNES
 ARCHITECTURAL
 DESIGN SERVICES LLC
 1807 E. TER. DR.
 LAKE WORTH, FL
 33460
 (561) 574-1027

DRAWN
 CHECKED
 DATE
 4-26-16
 SCALE
 AS NOTED
 FOR PERMIT
 SHEET
 A2
 OF SHEETS



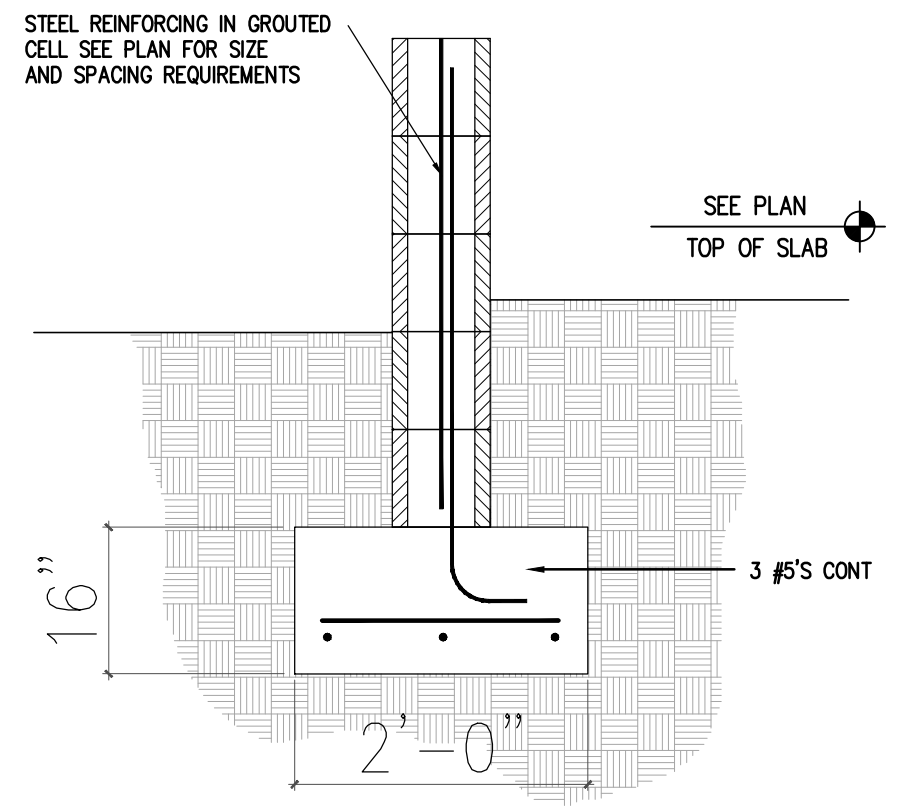
FOUNDATION PLAN 1
 SCALE: 1/8" = 1'-0"

FOOTING SCHEDULE					
MARK	WIDTH	LENGTH	THICKNESS	BOTTOM REINFORCING	REMARKS
SF-1	24"	CONT.	16"	(3) #5	SPREAD FOOTING
MF-1	12"	CONT.	12"	(3) #5	MONOLITHIC
TE-1	8"	CONT.	8"	(1) #5	THICKENED EDGE
IS-1	36"	36"	16"	(4) #5 EW	ISOLATED
RIB-1	8"	CONT.	16"	(2) #5	RIBBON

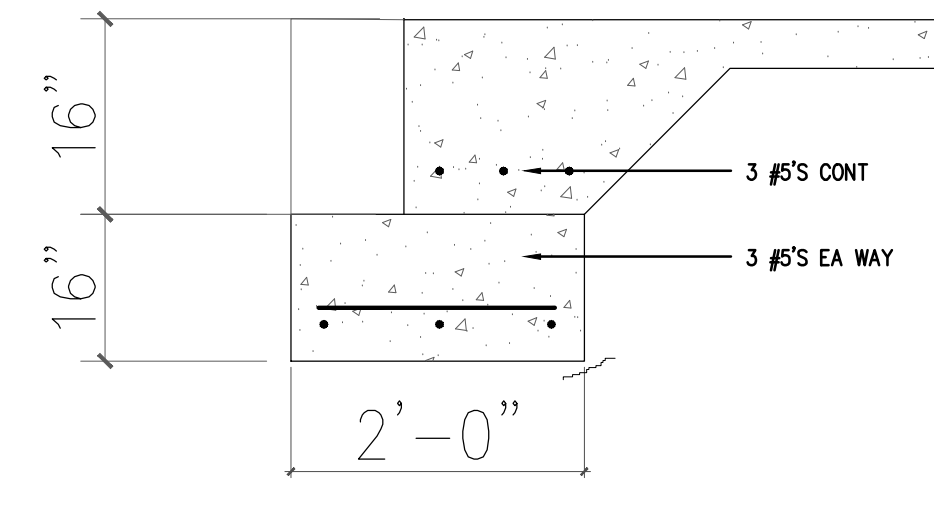
COLUMN SCHEDULE			
MARK	SIZE & DESCRIPTION	BASE PLATE OR REINFORCEMENT	REMARK
C1	8"x8" CMU	(1) #5 LAP & TIE	TYP. U.O.N.
C2	8"x8"	(4) #5 VERT	WOOD POST TO MATCH EXIST

INSPECTOR NOTE
 NEW STRUCTURAL COMPONENTS WERE DESIGNED BASED ON THE FBC 2014 BUILDING CODE AND ASCE 7-10, 170 MPH (3 SEC), EXP. C.

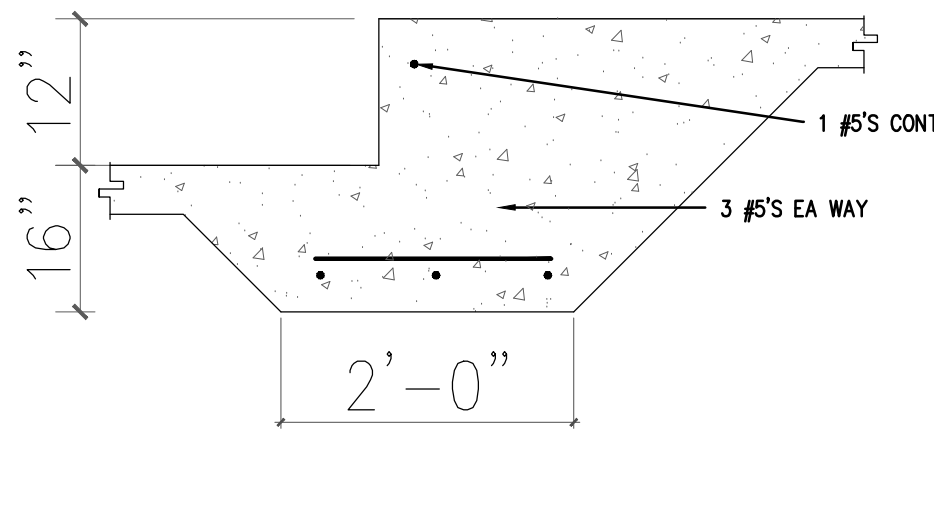
MASONRY WALL NOTES
 WALL SEGMENTS SHALL BE REINFORCED WITH 9 GA. GALVANIZED LATERAL REINFORCING @ 16" O.C. HORIZONTAL. EXTEND REINFORCING 6" INTO POURED ELEMENTS AND AROUND ENCASED STEEL.
 ADJACENT TO ANY EXTERIOR WALL OPENINGS PLACE 1 #5 VERTICAL IN CELL GROUDED SOLID FULL HEIGHT.
 ALL MASONRY REINFORCED CELLS SHALL BE FILLED WITH 3000 PSI GROUT MIX.



EXTERIOR STEM-FOOTING SF-1



MONO FOOTING MF-2



MONO FOOTING MF-3