

REV	DATE	DESCRIPTION

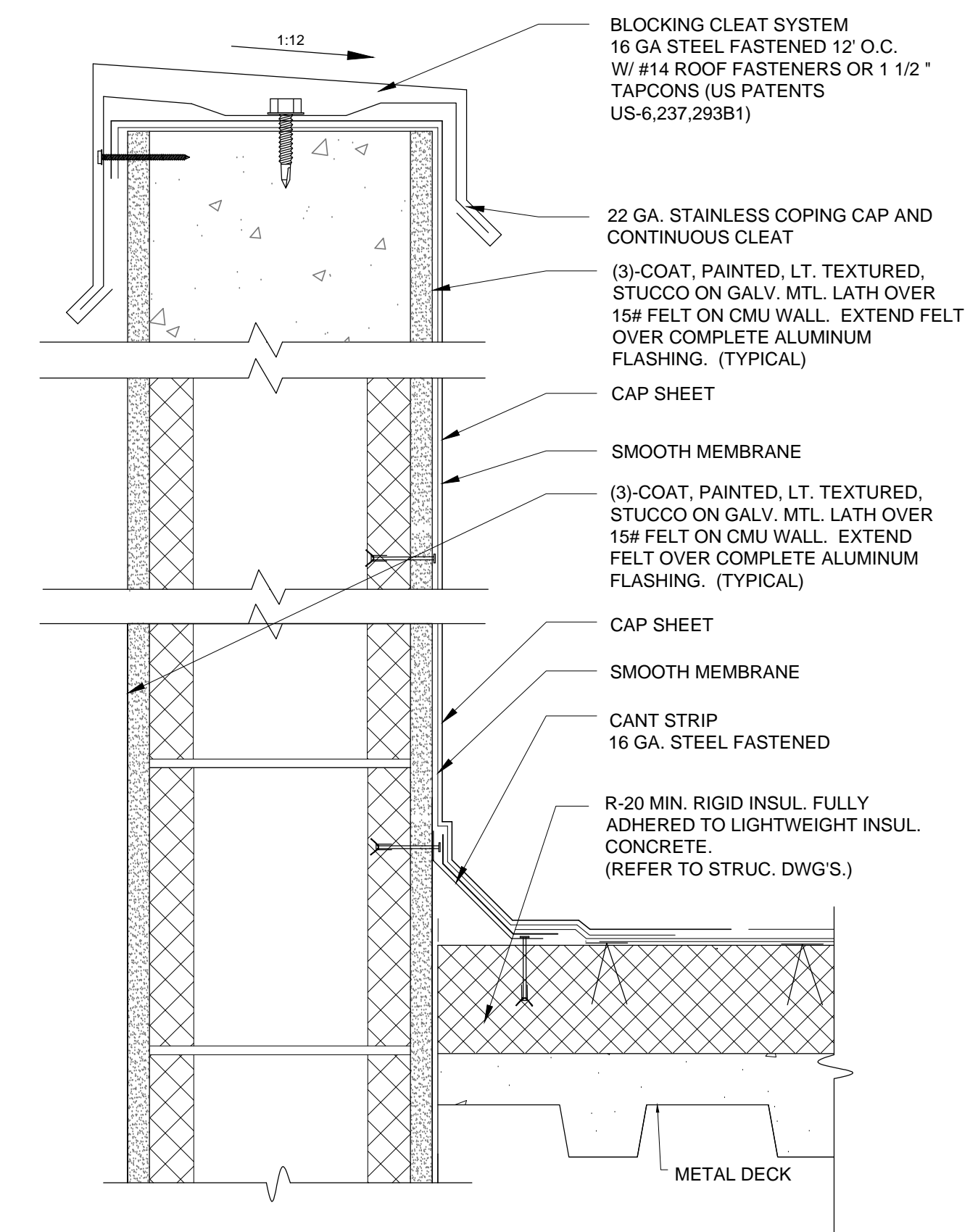
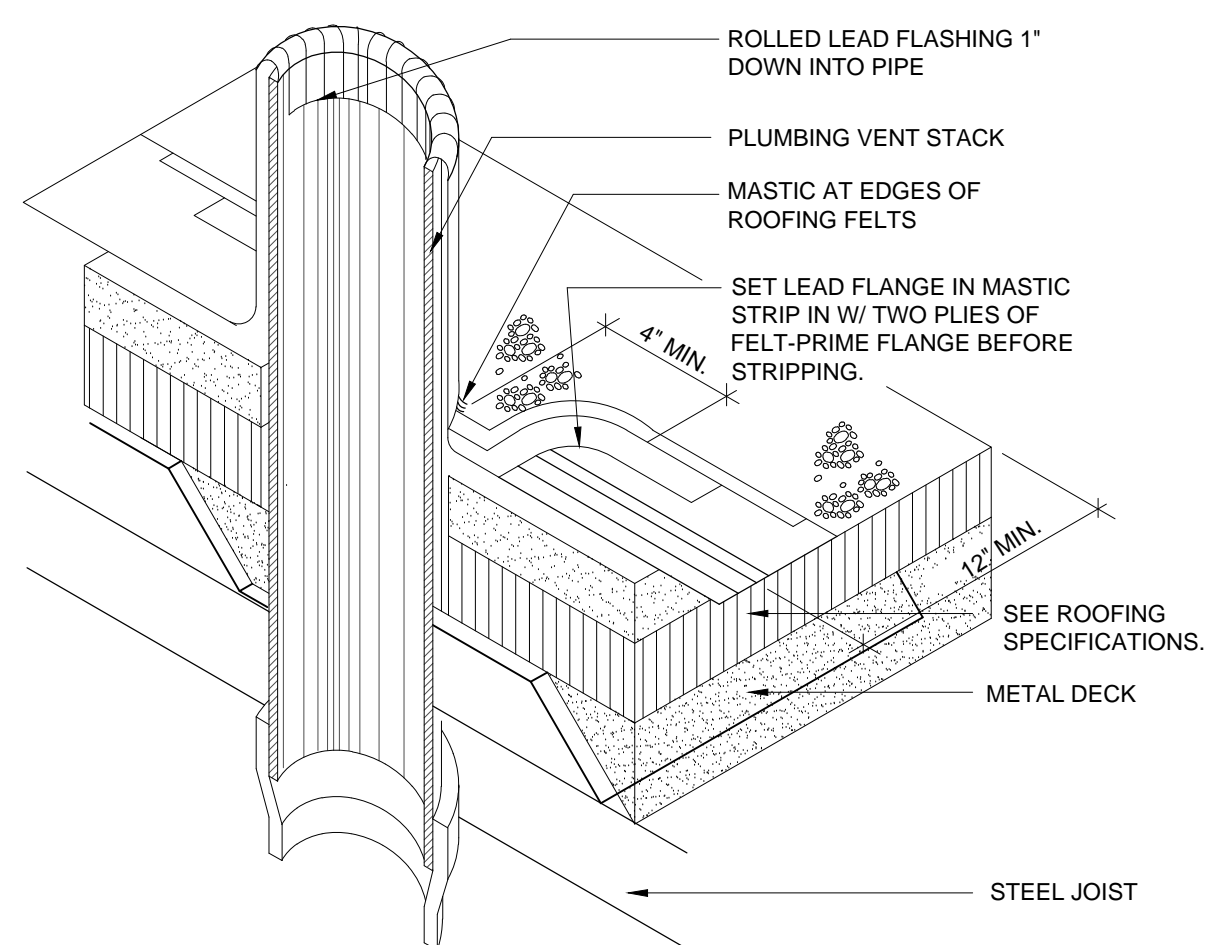
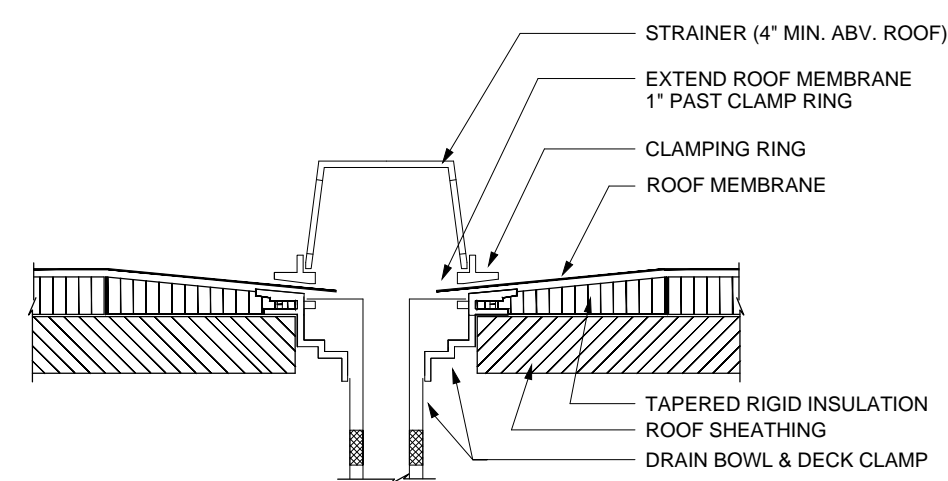
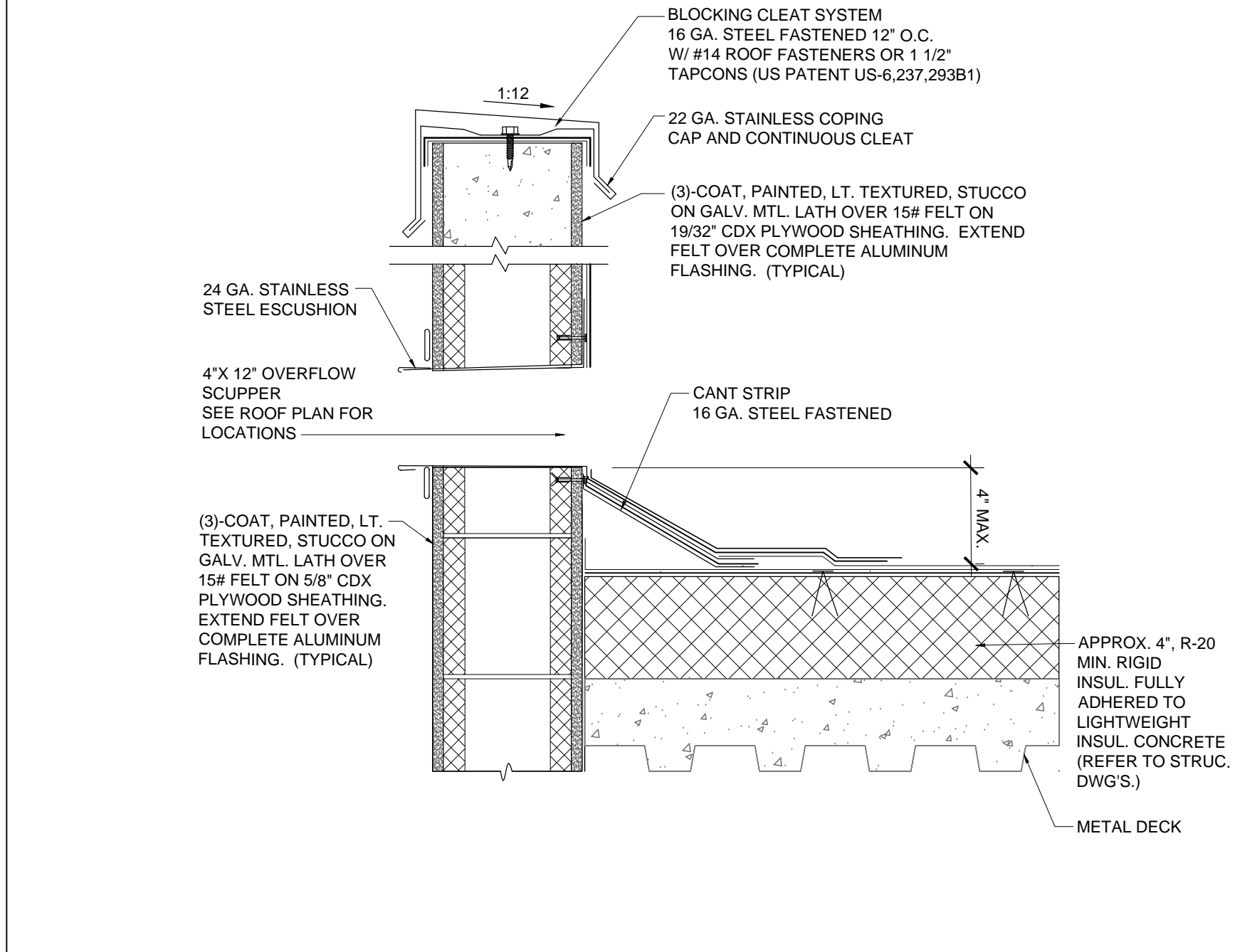
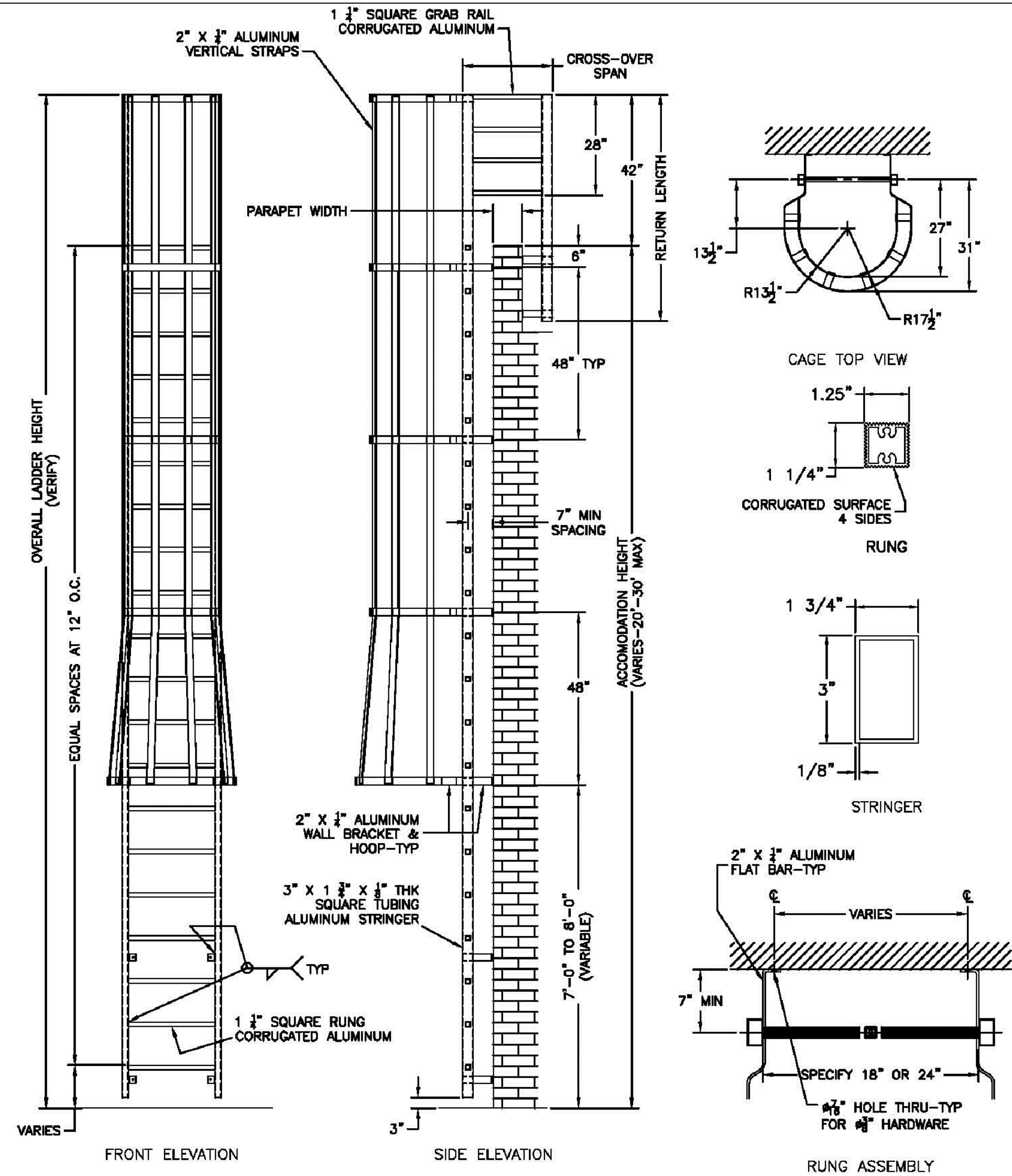
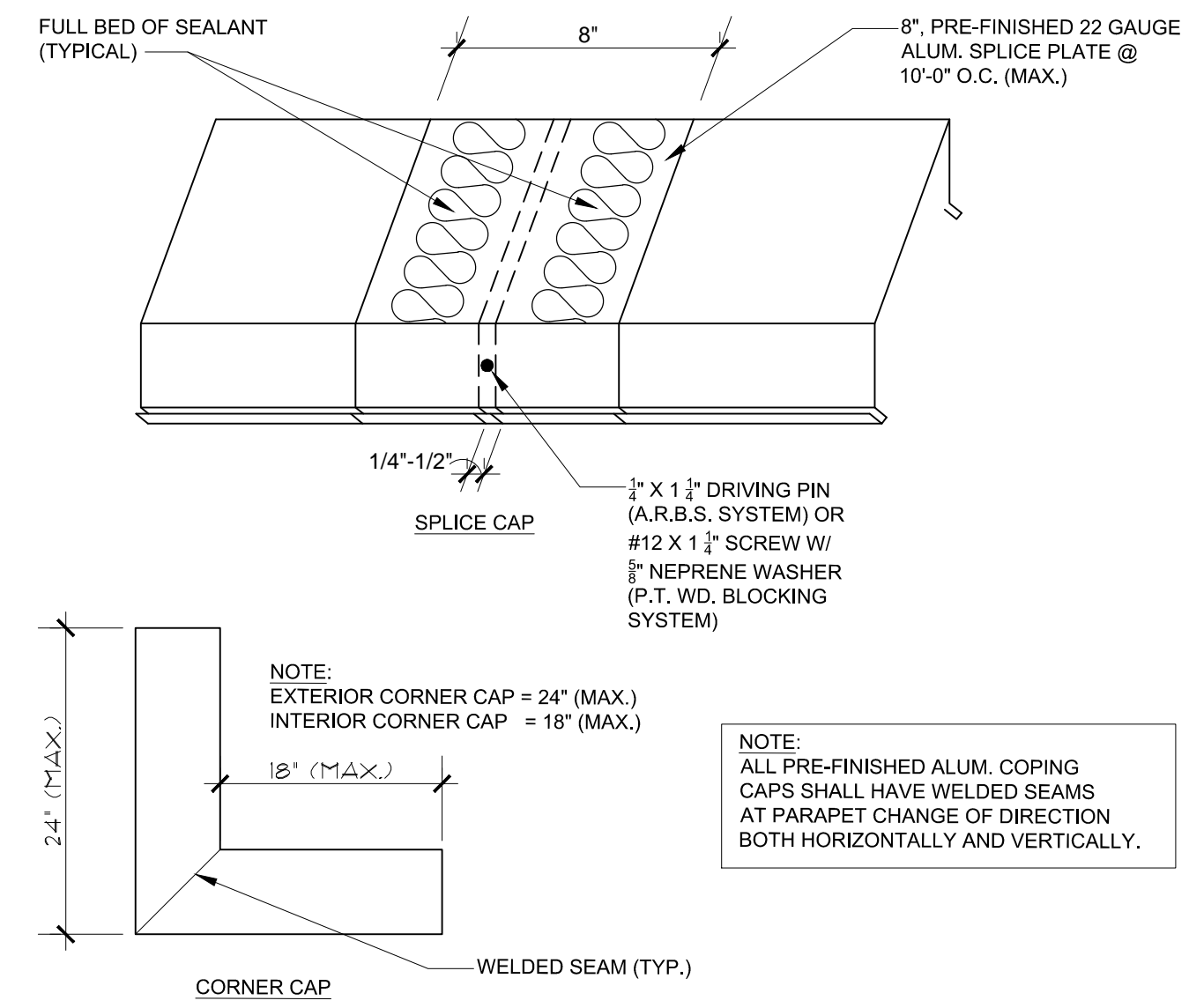
DESIGN  
DELIVERABLE: PERMIT SET  
ISSUE DATE: 05-11-16

PROJECT NUMBER: 1177 - 150203  
DRAWN BY: FC  
CHECKED BY: JS

Copyright © by SYNALOVSKI ROMANIK SAYE, LLC  
All Rights Reserved.  
SHEET TITLE:

ROOF DETAILS

SHEET NUMBER:  
**A-702**



6 CAP DETAIL  
N.T.S.

3 ROOF LADDER  
SCALE: NTS

1 ROOF SCUPPER  
SCALE: 3/4" = 1'-0"

4 ROOF DRAIN DETAIL  
N.T.S.

5 VENT THROUGH ROOF DETAIL  
SCALE: NTS

2 WALL FLASHING DETAIL  
SCALE: 3" = 1'-0"

7 NOT USED  
N.T.S.