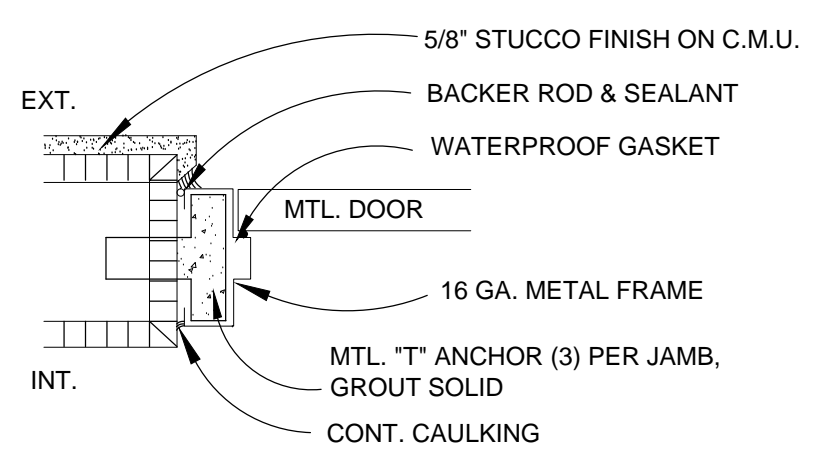
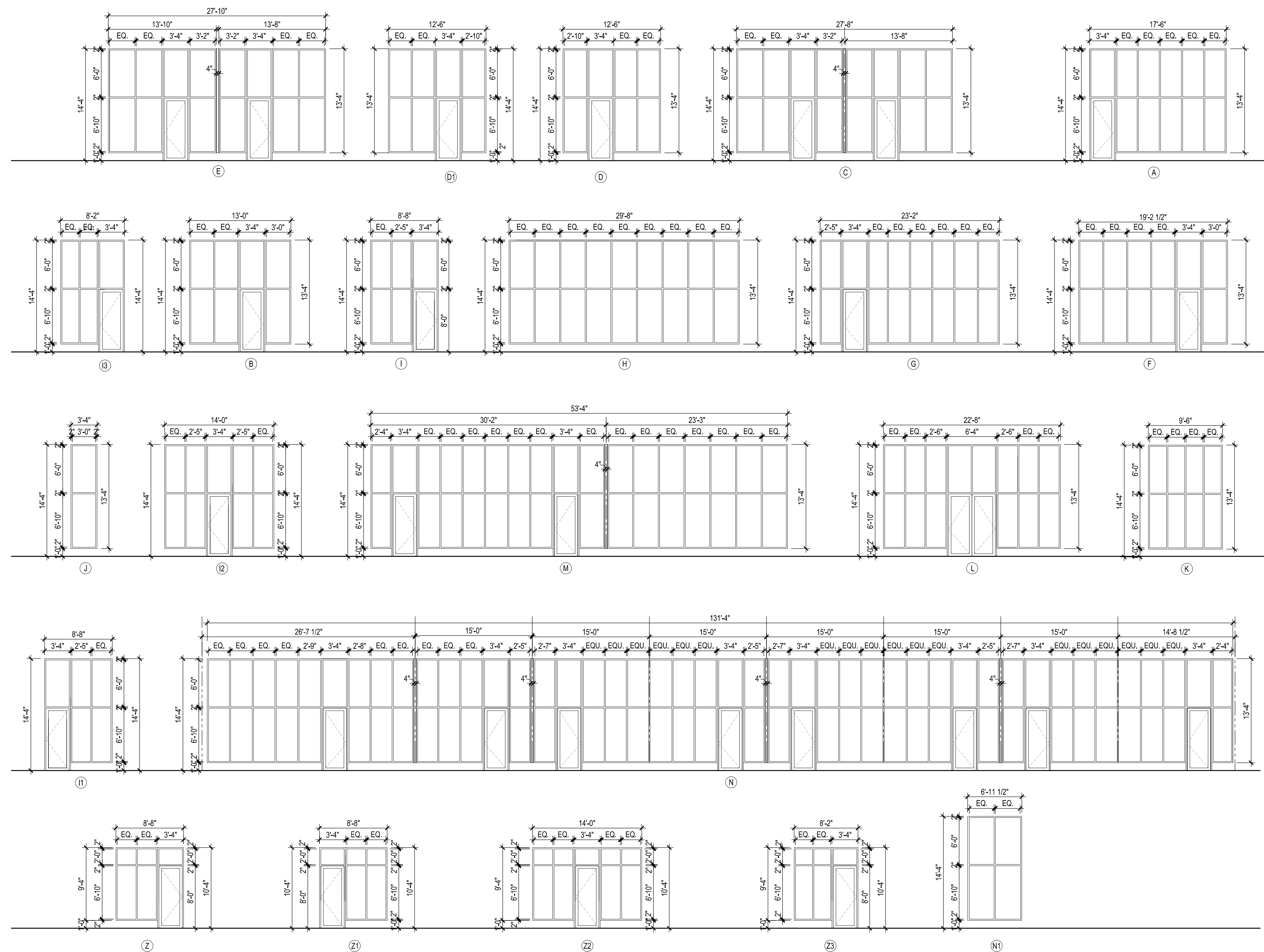


NOTE: ALL STOREFRONT SYSTEM SHALL BE IMPACT RESISTANT W/ NOTICES OF PRODUCT APPROVAL WITHOUT THE USE OF HURRICANE SHUTTERS (UNLESS OTHERWISE NOTED).  
 INSTALL FRAME AS PER PRODUCT APPROVAL DATA.  
 CONTRACTOR SHALL SUBMIT PRODUCT APPROVALS FOR DOORS AND STOREFRONTS (WITH ARCHITECT APPROVED STAMP) PRIOR TO INSTALLATION.



NOTES:  
 1. USE 3/16\"/>

7 DOOR JAMB & HEAD DETAILS  
 1 1/2\"/>



1 STOREFRONT ELEVATIONS  
 1/8\"/>

6 DOOR & FRAME ELEVATIONS  
 N.T.S.

- DOOR GENERAL NOTES:
1. ALL DOOR HARDWARE TO HAVE LEVER HANDLES (SINGLE ACTION RELEASE W/OUT INTERIOR KEY LOCKS), MAXIMUM CLOSER PULL FORCE TO BE 5 LB.
  2. ALL DOOR HARDWARE SHALL BE HANDICAPPED ACCESSIBLE.
  3. ALL RATED DOORS SHALL HAVE AUTO CLOSERS.
  4. ALL RATED DOORS SHALL HAVE MATCHING RATED ASSEMBLIES.
  5. DOORS AND HARDWARE SHALL COMPLY WITH N.F.P.A. 101, 2012 EDITION 7.2.1, 36.2.2.2 (NEW MERCANTILE), AND F.B.C., 2014 FIFTH EDITION.
  6. PROVIDE DADE COUNTY PRODUCT APPROVAL FOR ALL EXTERIOR DOORS STOREFRONT SYSTEM AND WINDOWS.

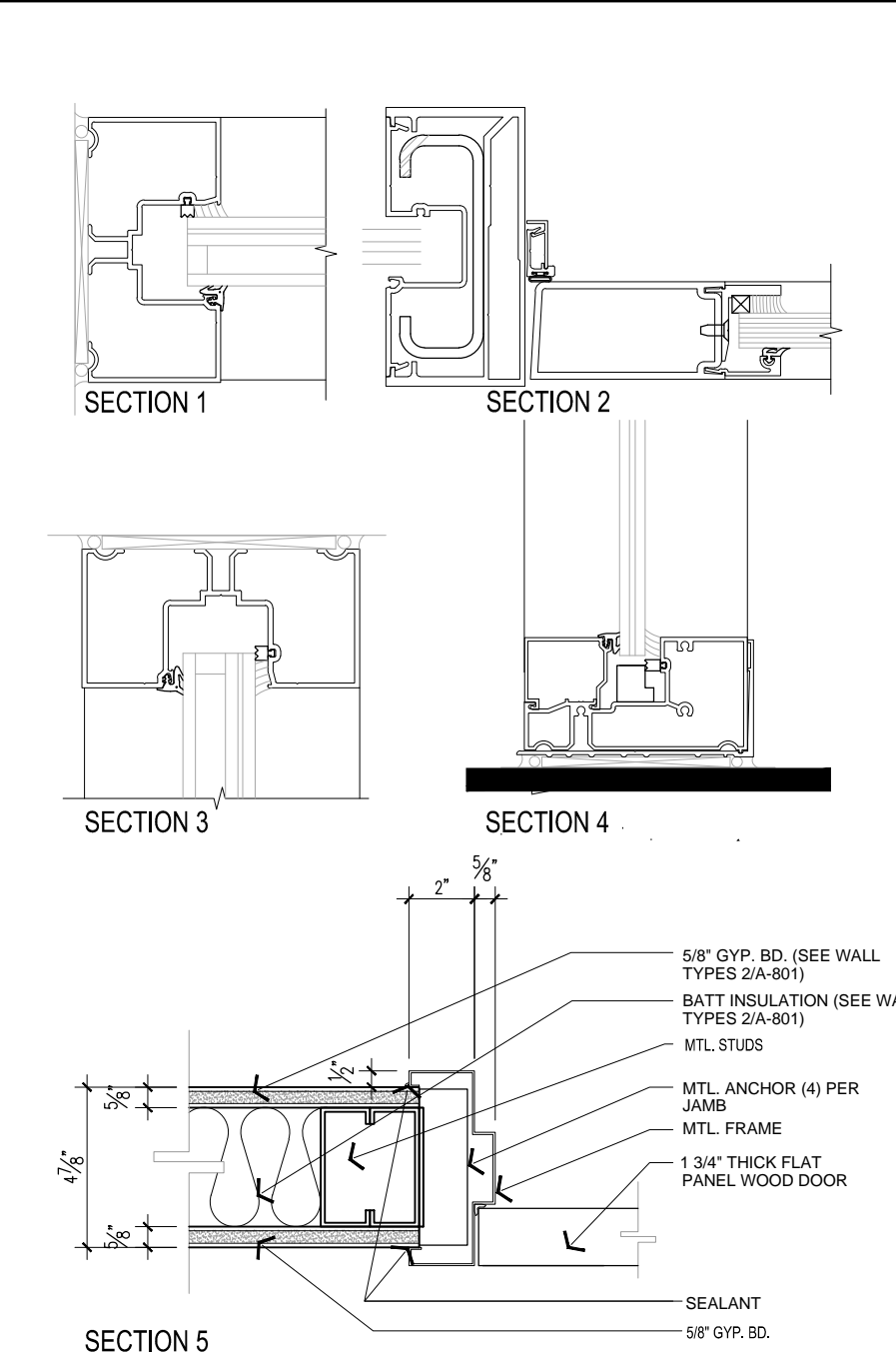
4 NOTES & LEGEND  
 N.T.S.

MARK	TYPE	DOOR				FINISH	GLAZING	FRAME		NOTES
		SIZE			CORE			MATL	TYPE	
		WD	HGT	THK						
1		3'-0"	7'-0"	1 3/4"	WOOD	SOLID CORE	PANT	METAL	1	

3 DOOR SCHEDULE  
 N.T.S.

MARK	MATL	DOOR						SIDELITES				TRANSOM		NOTES		
		DOOR		SIDELITES		R	L	WD	HGT							
		WD	HGT	WD	HGT											
(A)	ALUM	17'-8"	14'-4"	3'-0"	8'-0"	3'-0"	8'-0"	-	-	-	-	-	-	-	IMPACT RESISTANT GLASS	PROVIDE SHOP DWGS
(B)	ALUM	13'-0"	14'-4"	3'-0"	8'-0"	3'-0"	8'-0"	Y	-	-	-	-	-	-	IMPACT RESISTANT GLASS	
(C)	ALUM	27'-8"	14'-4"	3'-0"	8'-0"	3'-0"	8'-0"	Y	Y	-	-	-	-	-	IMPACT RESISTANT GLASS	
(D)	ALUM	12'-6"	14'-4"	3'-0"	8'-0"	2'-10"	8'-0"	-	Y	-	-	-	-	-	IMPACT RESISTANT GLASS	
(E)	ALUM	12'-6"	14'-4"	3'-0"	8'-0"	2'-10"	8'-0"	Y	-	-	-	-	-	-	IMPACT RESISTANT GLASS	
(F)	ALUM	27'-10"	14'-4"	3'-0"	8'-0"	3'-2"	8'-0"	Y	Y	-	-	-	-	-	IMPACT RESISTANT GLASS	
(G)	ALUM	19'-2 1/2"	14'-4"	3'-0"	8'-0"	3'-0"	8'-0"	Y	Y	-	-	-	-	-	IMPACT RESISTANT GLASS	
(H)	ALUM	23'-2"	14'-4"	3'-0"	8'-0"	2'-5"	8'-0"	Y	Y	-	-	-	-	-	IMPACT RESISTANT GLASS	
(I)	ALUM	29'-8"	14'-4"	-	-	-	-	-	-	-	-	-	-	-	IMPACT RESISTANT GLASS	
(J)	ALUM	8'-8"	14'-4"	3'-0"	8'-0"	2'-5"	8'-0"	-	Y	-	-	-	-	-	IMPACT RESISTANT GLASS	
(K)	ALUM	8'-8"	14'-4"	3'-0"	8'-0"	2'-5"	8'-0"	Y	-	-	-	-	-	-	IMPACT RESISTANT GLASS	
(L)	ALUM	14'-0"	14'-4"	3'-0"	8'-0"	2'-5"	8'-0"	Y	Y	-	-	-	-	-	IMPACT RESISTANT GLASS	
(M)	ALUM	8'-2"	14'-4"	3'-0"	8'-0"	2'-2"	8'-0"	-	Y	-	-	-	-	-	IMPACT RESISTANT GLASS	
(N)	ALUM	3'-4"	14'-4"	-	-	-	-	-	-	-	-	-	-	-	IMPACT RESISTANT GLASS	
(O)	ALUM	9'-6"	14'-4"	-	-	-	-	-	-	-	-	-	-	-	IMPACT RESISTANT GLASS	
(P)	ALUM	22'-8"	14'-4"	6'-0"	8'-0"	2'-6"	8'-0"	Y	Y	-	-	-	-	-	IMPACT RESISTANT GLASS	
(Q)	ALUM	53'-4"	14'-4"	3'-0"	8'-0"	2'-4"	8'-0"	Y	Y	-	-	-	-	-	IMPACT RESISTANT GLASS	
(R)	ALUM	131'-4"	14'-4"	3'-0"	8'-0"	VARIES	8'-0"	Y	-	-	-	-	-	-	IMPACT RESISTANT GLASS	
(S)	ALUM	6'-11 1/2"	14'-4"	3'-0"	8'-0"	-	-	-	-	-	-	-	-	-	IMPACT RESISTANT GLASS	
(T)	ALUM	8'-8"	10'-4"	3'-0"	8'-0"	2'-5"	8'-0"	-	Y	-	-	-	-	-	IMPACT RESISTANT GLASS	
(U)	ALUM	8'-8"	10'-4"	3'-0"	8'-0"	2'-5"	8'-0"	-	Y	-	-	-	-	-	IMPACT RESISTANT GLASS	
(V)	ALUM	14'-0"	10'-4"	3'-0"	8'-0"	2'-5"	8'-0"	Y	Y	-	-	-	-	-	IMPACT RESISTANT GLASS	
(W)	ALUM	8'-2"	10'-4"	3'-0"	8'-0"	2'-5"	8'-0"	-	Y	-	-	-	-	-	IMPACT RESISTANT GLASS	

2 STOREFRONT SCHEDULE  
 N.T.S.



5 DOOR JAMB & HEAD DETAILS  
 N.T.S.

7. ALL STOREFRONT WINDOWS, TRANSOMS AND SIDELIGHTS SHALL BE PRODUCT APPROVED IMPACT RESISTANT.
8. ALL EXTERIOR FLUSH DOORS SHALL HAVE DADE COUNTY PRODUCT APPROVED IMPACT SYSTEM.
9. ALL STOREFRONT SYSTEMS AND WINDOWS SHALL HAVE IDENTICAL FACTORY-APPLIED COLORS, ALUMINUM SECTIONS, FRAME DIMENSIONS, AND GLASS TINT.
10. CONTRACTOR IS RESPONSIBLE FOR PERFORMING ANY WORK NECESSARY TO COMPLETE THE PROPER INSTALLATION OF FRAMES, DOORS AND HARDWARE.
11. CONTRACTOR SHALL SUBMIT SHOP DRAWINGS FOR ARCHITECT'S APPROVAL PRIOR TO ORDERING, PURCHASING, AND OR INSTALLING.



SYNALOVSKI ROMANIK SAYE  
 Architects + Planning + Interior Design  
 1800 Eller Drive, Suite 500  
 Fort Lauderdale, FL 33316  
 T 954.961.6806  
 F 954.961.6807  
 www.synalovskid.com

Manuel Sygalovski, AIA  
 AR 0011628  
 SEAL

LICENSE NO. AA26001863

**VILLAGE AT ATLANTIC SHORES**  
 801 N. FEDERAL HIGHWAY  
 HALLANDALE BEACH, FL  
 CLIENT: ATLANTIC VILLAGE 1, LLC.

REV	DATE	DESCRIPTION

DESIGN DELIVERABLE: PERMIT SET  
 ISSUE DATE: 05-11-16

PROJECT NUMBER: 1177 - 150203

DRAWN BY: FC

CHECKED BY: JS

Copyright (c) by SYNALOVSKI ROMANIK SAYE, LLC  
 All Rights Reserved.

SHEET TITLE:  
**SCHEDULES / DETAILS**

SHEET NUMBER:  
**A-801**