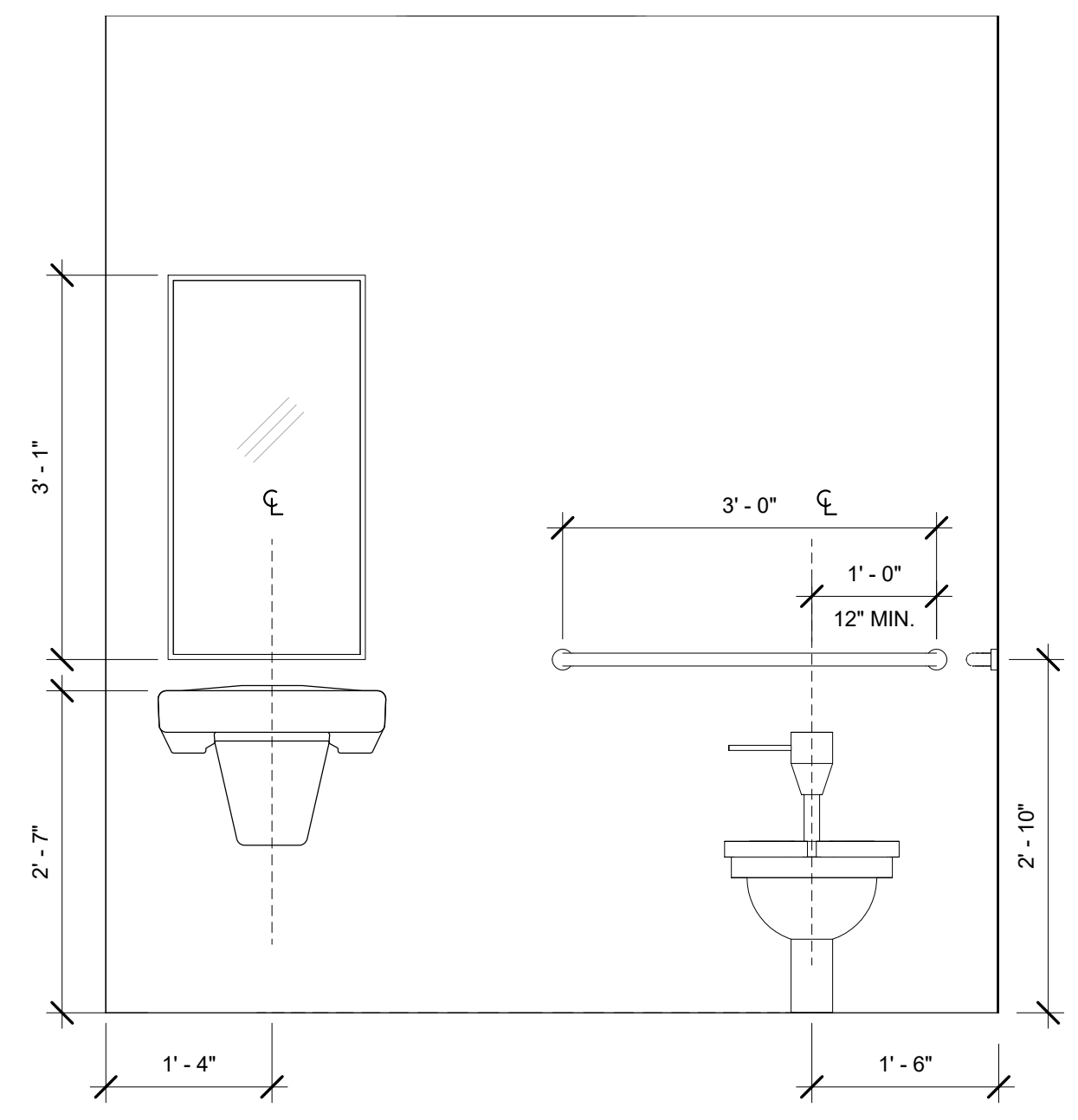
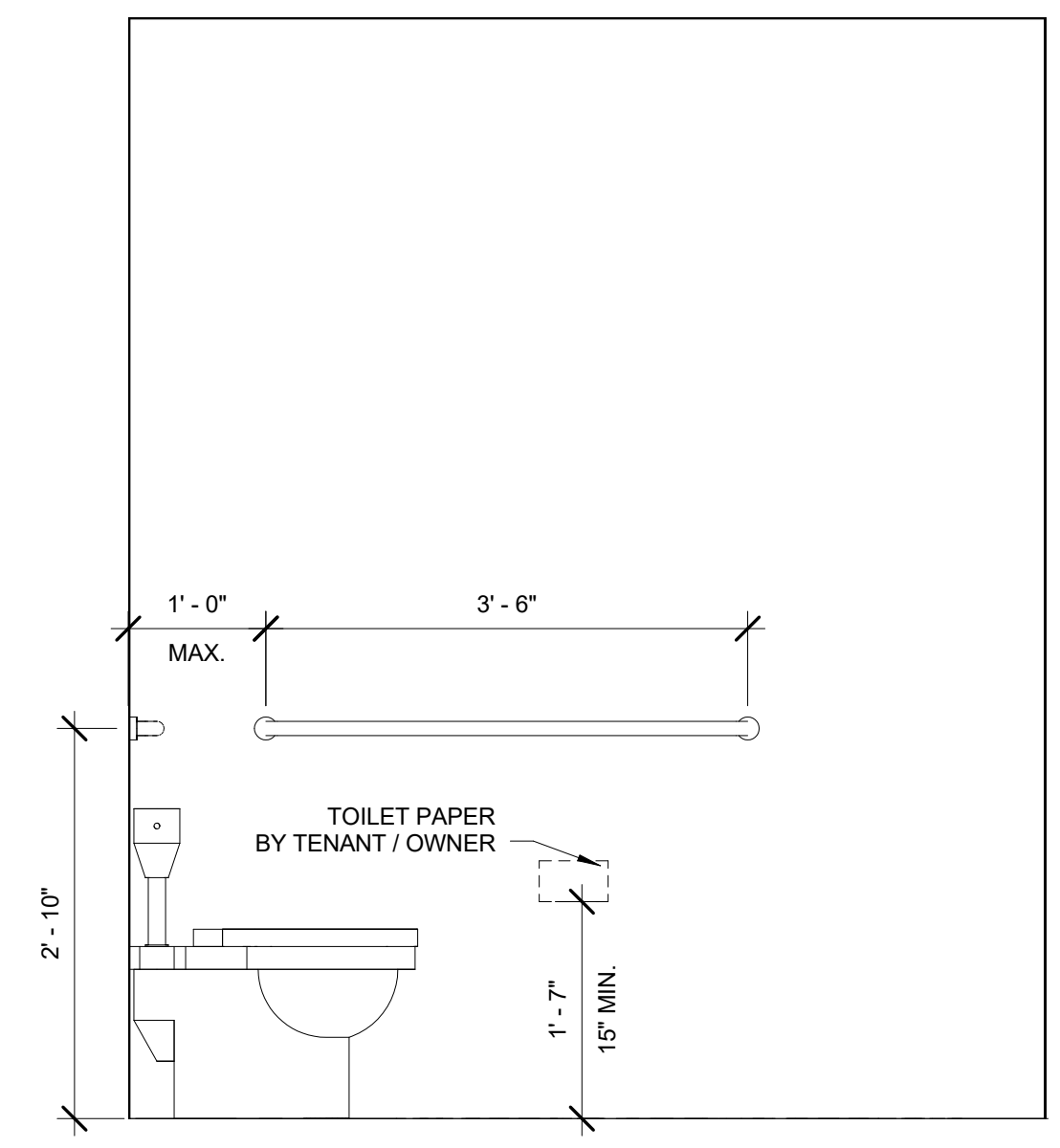


PORCELAIN FLOOR TILE AT BATHROOM AND UNDERNEATH DRINKING FOUNTAIN. TO BE SELECTED BY OWNER. EPOXY PAINT AT BATHROOM WALLS AND DRINKING FOUNTAIN WALLS.

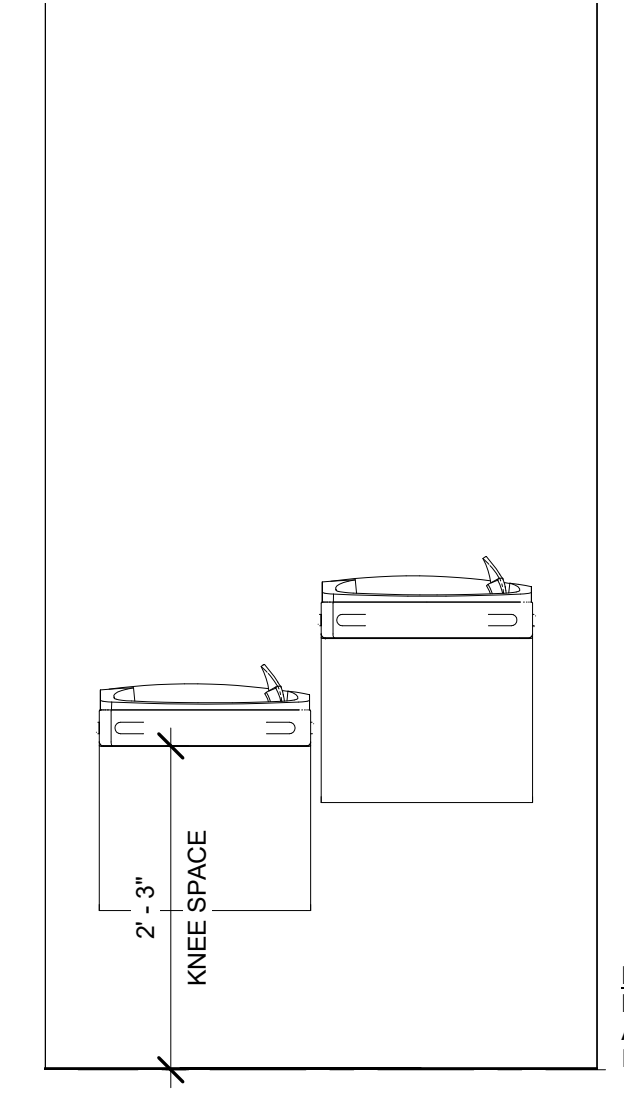
1 ENLARGED BATHROOM PLAN
A4.0 3/4" = 1'-0"



2 TYPICAL INTERIOR BATHROOM ELEVATION
A4.0 3/4" = 1'-0"



3 TYPICAL BATHROOM INTERIOR ELEVATION-SIDE
A4.0 3/4" = 1'-0"



NOTE: MOUNT ADA WATER FOUNTAIN AS PER ADA HEIGHT WHERE SPOUT IS AT ABOVE 36" ABOVE FINISH FLOOR.

4 TYPICAL FOUNTAIN MOUNTING ELEVATION
A4.0 3/4" = 1'-0"

| PLUMBING SCHEDULE | | | | |
|---------------------|------------------------------|--|-------------|--------------|
| FIXTURE | MANUFACTURER | MANUFACTURER | SUPPLIED BY | INSTALLED BY |
| ADA LAV | AMERICAN STANDARD WALL MOUNT | WHEELCHAIR USERS LAV | G.C | G.C |
| ADA LAV FAUCET | AMERICAN STANDARD | HERITAGE TWO-HANDED CENTERSET LAVATORY FAUCET WITH 172 H 4 INCH ADA WRIST BLADE HANDLE | G.C | G.C |
| ADA W/C | WALL MOUNT TOTO | CT708EG | G.C | G.C |
| ADA W/C FLUSH VALVE | TOTO | TMU1LN | G.C | G.C |
| 36" GRAB BAR | BOBRICK | B6806 SERIES | G.C | G.C |
| 42" GRAB BAR | BOBRICK | B6806 SERIES | G.C | G.C |
| MIRROR | BOBRICK | B-165 SERIES | G.C | G.C |
| TOILET PAPER HOLDER | BY TENANT | BY TENANT | BY TENANT | BY TENANT |
| DRINKING FOUNTAIN | OASIS | P8ACSL WITH REFRIGERATION | G.C | G.C |

CCS
ARCHITECTURAL ENTERPRISES, INC.
499 East Palmetto Park Rd.
Suite 204
Boca Raton, FL 33432
T 561.479.9884
www.ccsarch.com
Florida Registration Number
AA26001852

CONSULTANTS:
STRUCTURAL ENGINEERING:
STRUCTURES INTERNATIONAL, INC.
7501 Wilkes Rd.
Coral Springs, FL 33067
(954) 227-1512
ELECTRICAL, MECHANICAL, PLUMBING:
AMERICAN UNITED ENGINEERS
4508 SW 24TH STREET
FORT LAUDERDALE, FL 33317
PHONE: (954) 471-8657

PROJECT:
BAY 39
WESTGATE SHOPPING CENTER
100 N STATE ROAD 7
PLANTATION, FL 33317
INTERIOR IMPROVEMENTS

FINAL CONTRACT DOCUMENTS

PROJECT NUMBER: 1600-4
DATE: JUNE 6, 2016

| ADDENDA/REVISION | | |
|------------------|------|-------------|
| No. | Date | Description |
| | | |
| | | |
| | | |
| | | |
| | | |
| | | |
| | | |
| | | |
| | | |
| | | |

SEAL:

CYNTHIA C. SPRAY, AIA AR-94167

DRAWING TITLE:
BATHROOM TYPICAL ENLARGED PLANS AND INTERIOR ELEVATIONS

DRAWING NO:
A4.0